



NEEDLES FOR SCHIFFLI-EMBROIDERY

PERFECT EMBROIDERY ON BIG-BAR EMBROIDERY MACHINES



The production of lace is traced back over centuries.

The tool to produce good embroidery is and always has been "the needle." With developments of Schiffli embroidery machines (big-bar embroidery machines), demands on the needle have changed tremendously.

Only a perfect precision tool is able to produce the expectations of today's embroidery markets. Countless varieties of material, embroidery threads, and yarns exist. Embroidery machine speed capabilities are increasing constantly.

The Groz-Beckert needles meet these expectations with the lowest production tolerance standards. Mechanical properties and features that are consistent and not least of all, a smooth and wear resistant surface.

IDENTIFICATION OF THE NEEDLE FEATURES

Needle point and Needle size

In practice needles are frequently changed. A better-suited needle may be needed whenever new materials are to be embroidered or new embroidery threads are chosen. In order to avoid confusion, in the event that these needles may be used again, Groz-Beckert needles are color coded for size and point style.

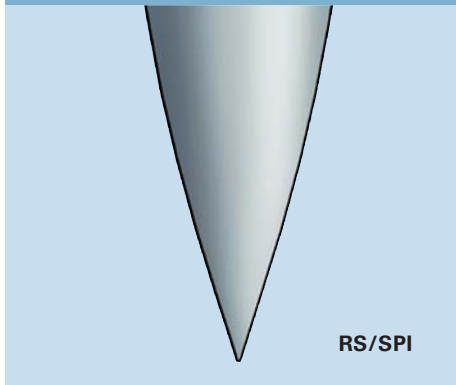


The color schedule is as follows:

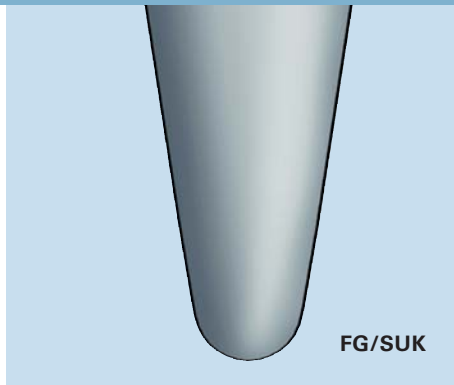
Schiffli-Nadeln				
Needle-size Nm	No.	RS-Point (Standard) no color coding	FG-Point = red	TR-Point = yellow
70	00			
80	0			
90	1			
100	2			
110	3			
130	4			
140	5			

THE POINT STYLES

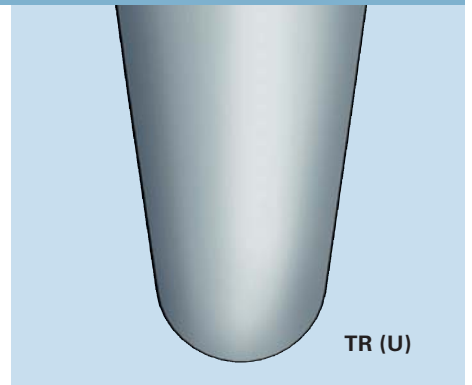
The following point styles are available in our standard product range



The standard point **RS** is suitable for most embroidery materials. Specifically where precise penetration and embroidery definition are features. Curtain and lace embroidery are examples.



The medium ball point **FG** is a versatile point style, yet is especially suited to knit materials.



The wide ball point **TR** is most suitable for broad structured materials like tulle.

Standard needle eye or SA-needle-eye

The standard eyes on all Groz-Beckert Schifflli embroidery needles are designed for common embroidery threads.

When using coarse embroidery yarns or ornamental embroidery threads that are especially thick, the use of a needle with a bigger (SA) needle eye provides advantages. Both needle eye types are produced by Groz-Beckert.



Threading aid

Time is money. Certainly a valid statement for the threading of embroidery yarns through the needle. To do this as easily and quickly as possible Groz-Beckert offers special threading hooks.

When setting up the machine, or after a thread break, downtime can be reduced significantly.

The threading hooks can be purchased in two designs, and are available with or without a handle.

1. EI 46. 110 G1, 2. EI 47. 78 G1 and
3. EI P/2 65. 80 G1



EI 46. 110 G1 FOR NEEDLE SIZE \geq NM 110/3



EI 47. 78 G1 FOR NEEDLE SIZE \leq NM 100



EI P/2 65. 80 G1 FOR NEEDLE SIZE \leq NM 100

