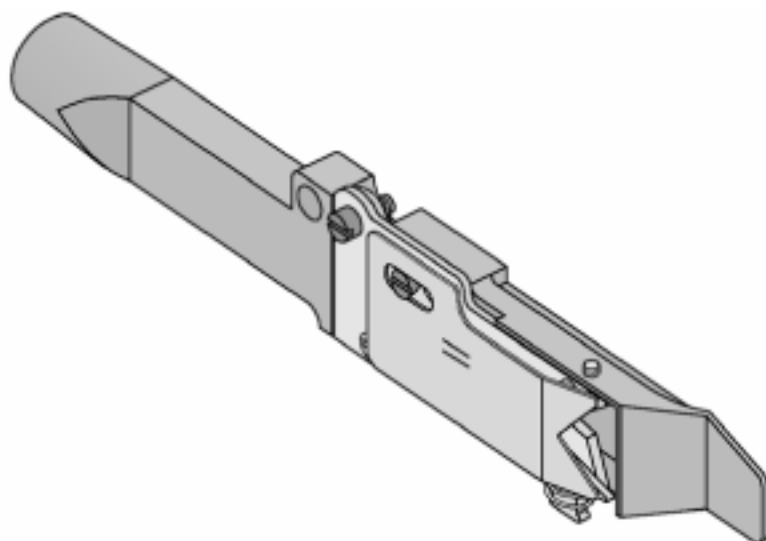




# **UNIVERSAL NO. 11528 SIDE ACTION CHAIN CUTTER FOR UNION SPECIAL 39500**



---

**Main Warehouse:**

## **UNIVERSAL SEWING SUPPLY**

1011 East Park Industrial Drive • St. Louis, Missouri 63130

---

### **TOLL FREE NUMBERS**

Phone (Continental U.S.A.) **800-325-3390**

Fax (Continental U.S.A.) **800-443-9960**

In St. Louis Area **862-0800**

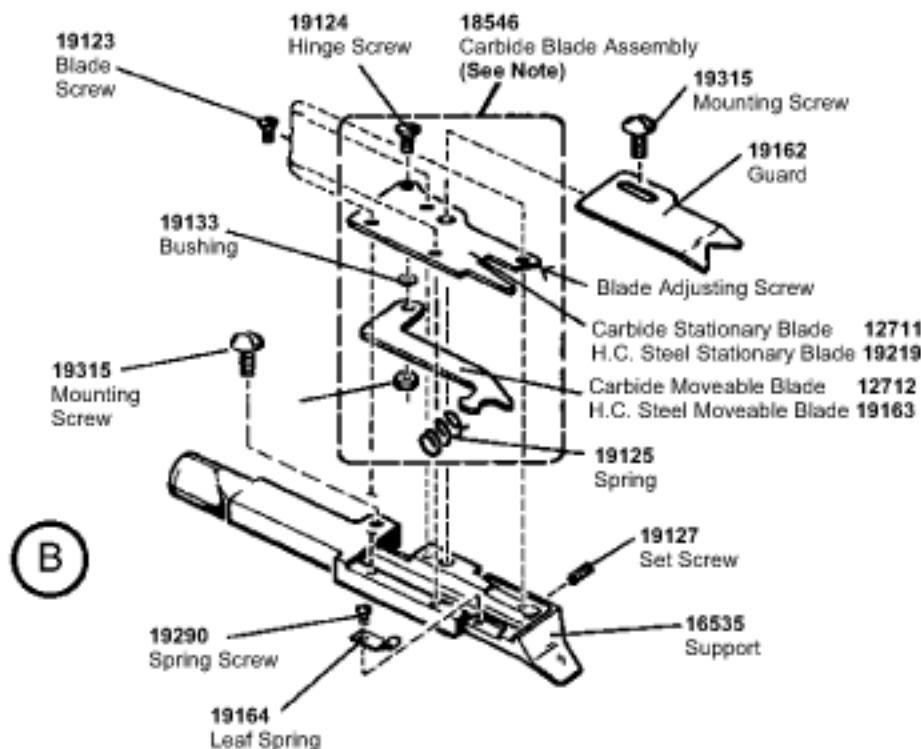
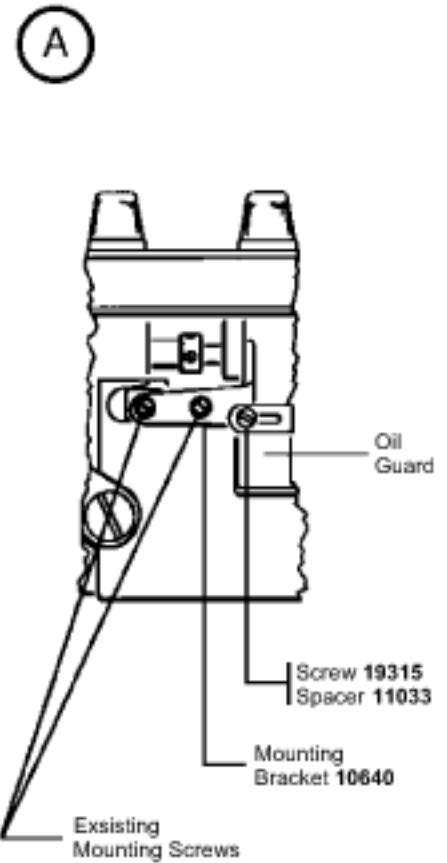
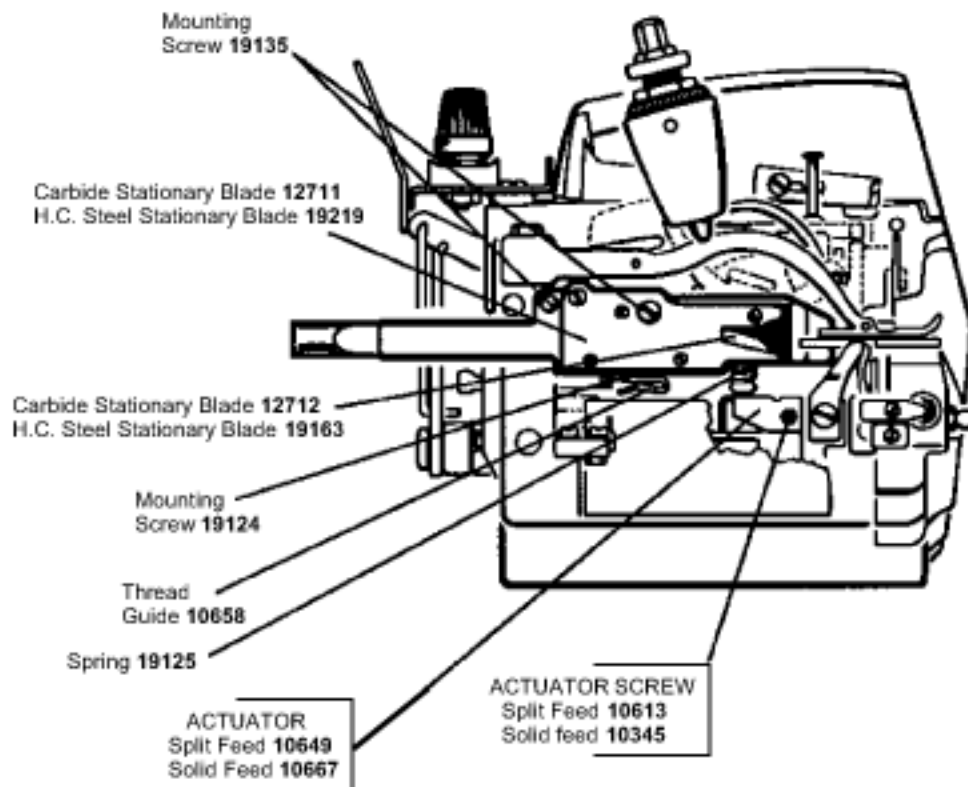
Fax (In St. Louis) **725-8808**

Revised 01/96

**UNIVERSAL NO. 11528**  
**SIDE ACTION CHAIN CUTTER INSTALLATION**  
**FOR UNION SPECIAL 39500**

1. Remove Cloth Plate, Feed Bar Oil Shield and Fabric Guard Bracket from the machine. (See Diagram A)
2. Replace Fabric Guard Bracket and Fabric Guide with Mounting Bracket (#10640). (See Diagram A)
3. Install Actuator (#10649) on Chaining Feed Dog using Screw (#10613) for Split Feed, or Actuator (#10667) using Screw (#10345) for Solid Feed. (See Diagram A)
4. Loosen Thread Guide Screw (#19124) on Bracket (#10640), then mount Cutter Assembly onto Bracket (#10640) using two (2) Screws (#19315). Adjust Cutter Assembly so that it clears side of Chaining Feed Dog. Tighten Mounting Screws (#19315), adjust Thread Guide (#10658), and tighten Screw (#19124) if necessary. Re-adjust Mounting Bracket (#10640). (See Diagram A)
5. Rotate handwheel so that Feed Dog is in its upper most position so that the Moveable Cutter Blade comes to the end of the Stationary Blade cutting surface - **(CAUTION!! Do not adjust Moveable Blade to extreme limit)**. (See Diagram A)
6. Test installation by rotating handwheel, being certain that Moveable Blade functions freely, and does not interfere with other moving parts. (See Diagram A)
7. Remove Fabric Guard (US #39578F) from Cloth Plate and discard (not used). Modify Cloth Plate, Throat Plate, and (if used) Cover Plate, then re-install on machine. (See Diagram C)
8. When light fabric is being sewn it may be necessary to install Guard (#19162) to avoid cutting the leading edge of the material. To mount Guard (#19162), install under Screw (#19315), which installs through Stationary Blade. Adjust Guard toward Throat Plate. (See Diagram B)
9. For complete Econ-O-Vac Vacuum Disposal Unit see back page. Unit is not included with Cutter Assembly and must be ordered separately.
10. In some cases on new units, and also when installing replacement blades, two simple adjustments may have to be made. This should be done in the following sequence:
  - a. Assemble moveable blade and stationary blade together and tighten to where there is no excessive play.
  - b. Mount blade assembly to support tightening all screws except blade adjusting screw.
  - c. Make sure that leaf spring is holding sufficient upward pressure against bottom of moveable blade. Also, ensure that end of spring is not touching top of support (gap should be approximately 1 mm).
  - d. Hold moveable knife in fully closed position while turning blade adjusting screw in clockwise direction until moveable knife will not open under spring pressure. Rotate blade adjusting screw in counter clockwise direction until moveable knife opens. Rotate screw another 1/4 turn to avoid excessive wear on blades. Tighten set screw to retain adjustment.

**UNIVERSAL NO. 11528 SIDE ACTION  
CHAIN CUTTER FOR UNION SPECIAL 39500**



Remove material to permit closing

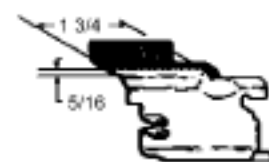


CLOTH PLATE

Remove to clear  
Cutter Assembly



NEEDLE PLATE

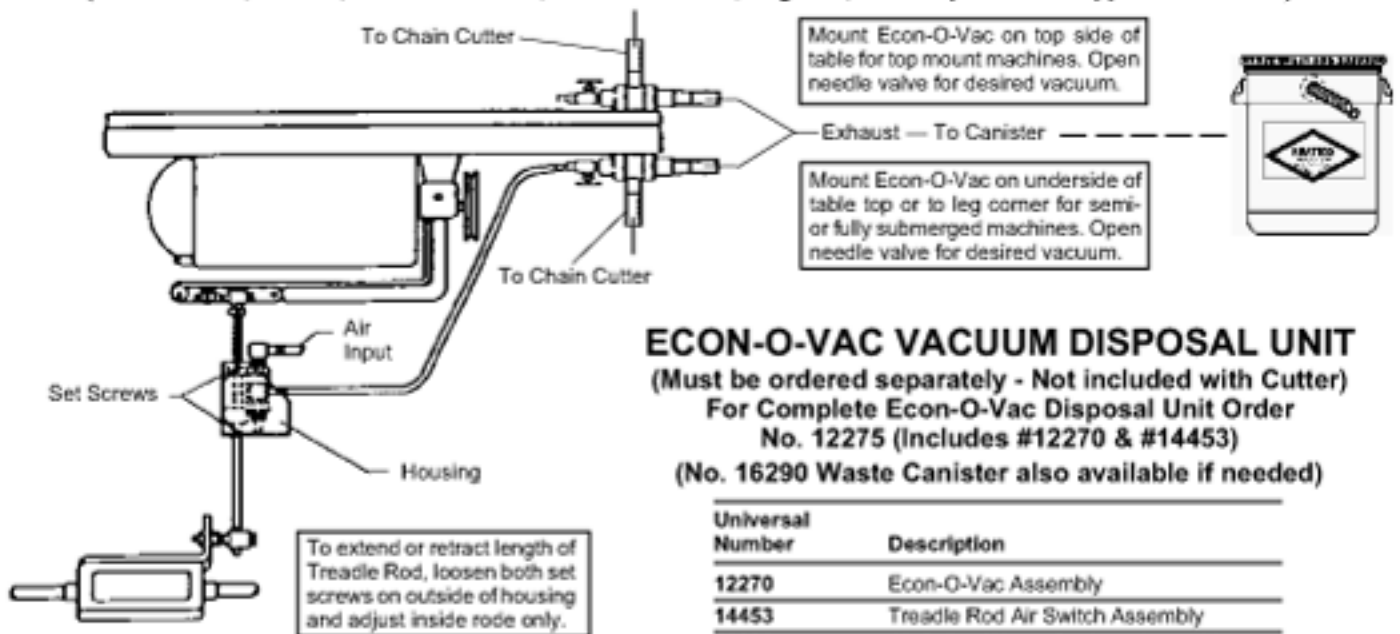


COVER PLATE (US #39852-GG)  
(Modify if used)

**Note:** Carbide Blade Assembly (#18546) includes Hinge Screw (#19124), Stationary Blade (#12711), Bushing (#19133), Moveable Blade (#12712), Nut (#19135), Spring (#19125).

# ECON-O-VAC VACUUM DISPOSAL ASSEMBLY SET-UP

(For Universal, Clinton, Yamato K Cutter, Willcox & Gibbs, Pegasus, Union Special Air Klipp Chain Cutters)



## ECON-O-VAC VACUUM DISPOSAL UNIT

(Must be ordered separately - Not included with Cutter)

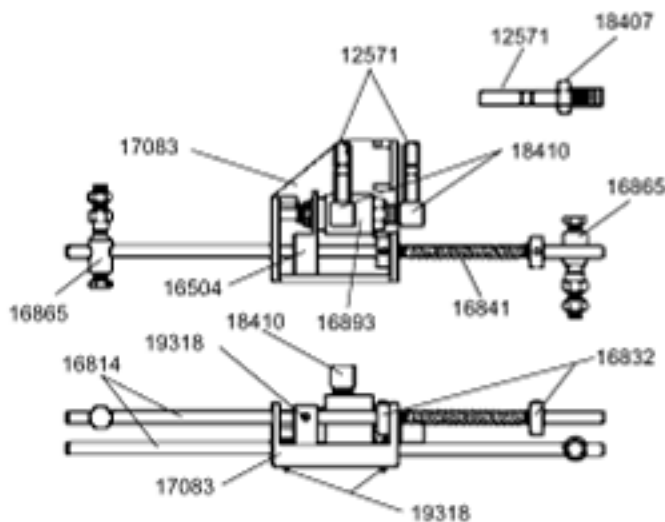
For Complete Econ-O-Vac Disposal Unit Order  
No. 12275 (Includes #12270 & #14453)

(No. 16290 Waste Canister also available if needed)

Universal Number	Description
12270	Econ-O-Vac Assembly
14453	Treadle Rod Air Switch Assembly
16290	10 Gallon Waste Canister Assembly
12275	Econ-O-Vac w/Treadle Rod Air Switch

## TREADLE ROD AIR SWITCH

(Universal No. 14453)

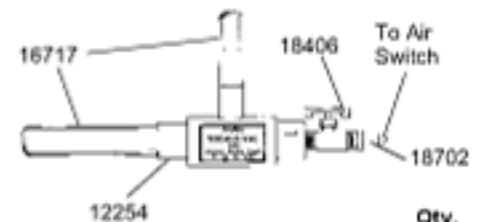


Universal No.	Description	Qty. Req.
12571	Poly-Flo Hose (1/4" x 60") *	2
16504	Valve Holder	1
16814	Treadle Rod	2
16832	Collar w/Set Screw	2
16841	Spring	1
16865	Ball Joint	2
17083	Valve Housing	1
18407	Male Connector (1/4" MPT x 1/4" Tube)	1
18410	Elbow (1/8" MPT x 1/4" Tube)	2
18540	3-Way Valve (N.C.)	1
19318	8-32 x 1/4" Socket Set Screw	3
14453	Treadle Rod Air Switch, Complete	

\* Sold only in 100 foot coils when purchased separately.

## ECON-O-VAC VACUUM ASSEMBLY

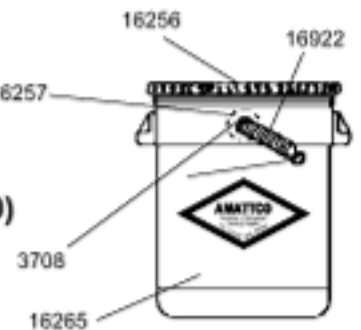
(Univ. #12270)



Universal No.	Description	Qty. Req.
12254	Econ-O-Vac Body	1
12265	Nylon Clamp (1")	2
13770	#6 X 1/2" Screw (P.H.S.T.)	2
16717	Vinyl Hose (1/2" I.D. x 3/4" O.D.)	5 ft.
18406	Male Connector (1/8" IPT x 1/4" Tube)	1
18702	Needle Valve (1/8" x 1/8") 18406	1
12270	Econ-O-Vac Vacuum Assembly, Complete	

## WASTE REMOVAL CANISTER

(Universal No. 16290)



Universal No.	Description	Qty. Req.
3708	3/4" Hose Clamp	2
16256	Cloth Filter Cover	1
16257	3/4" Funnel	1
16265	10 Gallon Canister w/3/4" Hole	1
16922	Vari-Duct Hose (3/4" x 40")	1
16290	Waste Removal Canister, Complete	