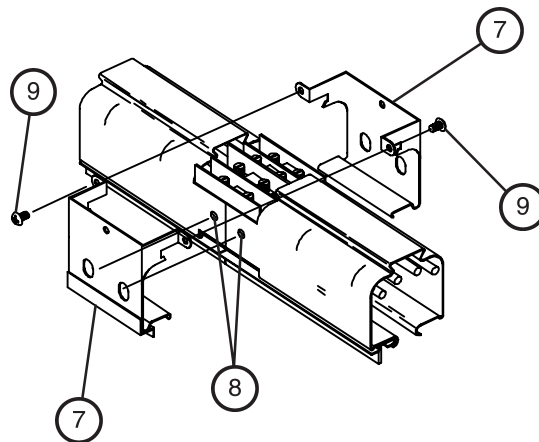
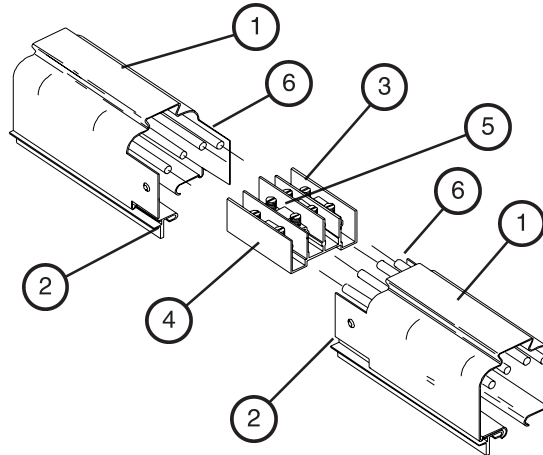


## Installation Instructions for ERS-402-4

### (Joining Straight to Straight Sections with Coupling Plate)

Join straight track sections (1), making sure plastic polarizing strips (2) of both sections are on the same side. Back off the 8 set screws (3) in terminal block (4). Slip terminal block connectors (5) on to bus bars (6). Tighten set screws (3) to bus bars. Insert bus bars (6) into terminal block (4), bringing track casings together and tighten set screws (3).



Take the 2 halves of the coupling plate (7) and hook them to the bottom of the track housing and swing up so the holes are placed over the dimples (8) on the track housing. Hold the coupling plate (7) and insert screws (9) to fasten them together (Do not tighten all the way).

Tighten screws (9) on coupling. Place cover plate (10) onto coupling plate (7), and insert screws (11) and tighten. The joining of sections is complete.

