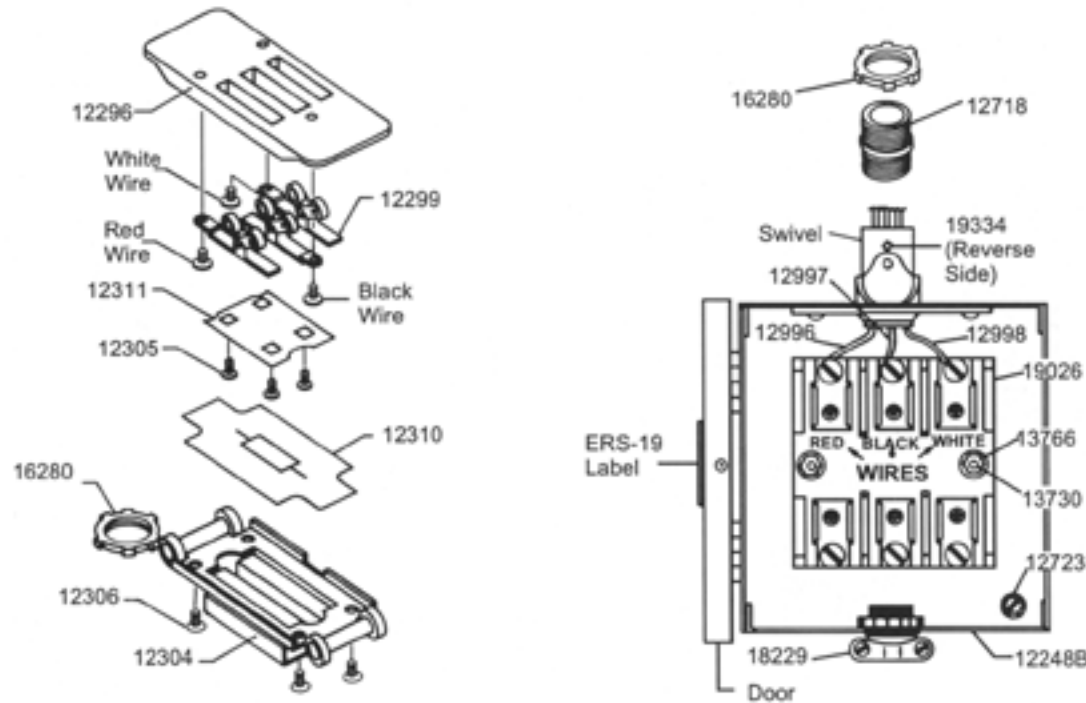


PARTS / INSTRUCTION SHEET FOR FEEDRAIL "60" ERS-19 3-POLE ROLLER TROLLEY w/BOX (No. 12248)



No.	Mfg. No.	Description	Qty.
9026	—	Fuse Block	1
12248B	—	Box w/Swivel Fitting	1
12296	W11311P (110-7)	Trolley Body	1
12299	T16747 (115-12)	Roller Contacts	3
12304	T16742 (120-1)	Trolley Chassis	1
12305	307145 (150-8)	Slotted Truss Head Screws	4
12306	516719DP (150-28)	Slotted Flat Head Screws	4
12310	T16796 (155-10)	Chassis Liner	1
12311	T16795 (155-13)	Contact Retainer	1
12718	—	Nipple	1
12723	—	Slotted Hex Washer Screw	1
12996	—	Red Wire	1
12997	—	Black Wire	1
12998	—	White Wire	1
13730	—	Round Head Steel Screw	2
13766	—	Hex Nuts	2
16280	—	Conduit Lock Nuts	2
18229	042752 (165-5)	Cable Connector	1
19334	—	Socket Set Screw	1
12248	—	ERS-19 3-Pole Roller Trolley, Complete	1

Instructions:

- Wire so that the same colored wire is put on the same terminal on all trolleys. All trolleys will then be polarized the same way.
- Strip cable back 1-1/2" and conductors 1/2".
- Open cabinet door then install cable through cable clamp into box.
- Attach stripped wire ends around terminal screws in a clockwise direction and tighten screws.
- Attach ground wire to grounding screw at bottom right in a cabinet box.
- Tighten cable clamp around supply cable.
- Insert proper fuses in fuse block and close door.

UNIVERSAL SEWING SUPPLY 1011 EAST PARK INDUSTRIAL DRIVE SAINT LOUIS, MISSOURI 63130		DATE 06-11-97
PART NAME ERS-19 3-POLE ROLLER TROLLEY w/BOX		
MATERIAL / FINISH		SCALE NONE
UNIVERSAL NUMBER 12248	MANUFACTURER NUMBER ERS-19	DRAWING NUMBER 12248I