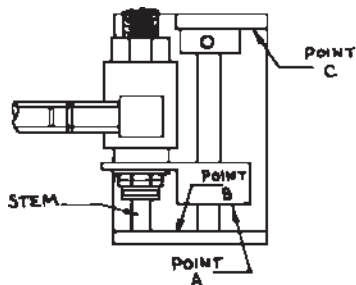
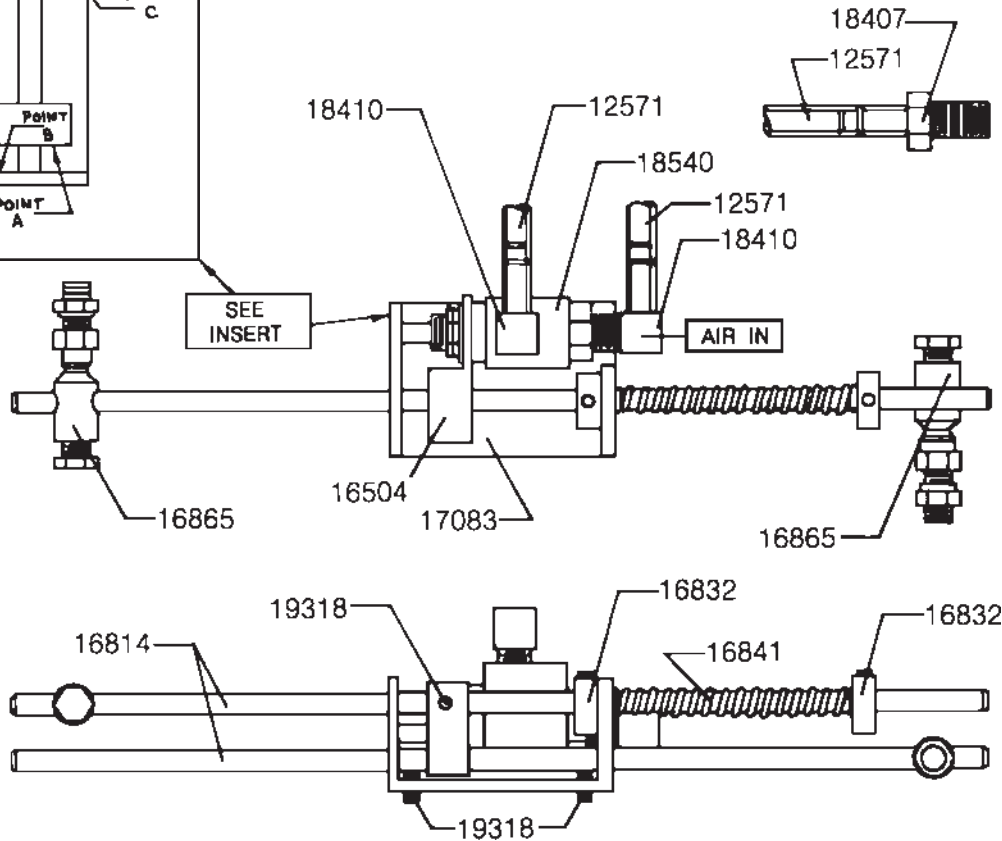


The distance between Point "A" and Point "B" is 3/16". The Valve Holder (#16504) is made so the travel of the stem in the Valve (#18540) does not exceed 3/16". This prevents the stem from traveling too far up into the valve and causing spring stress or breakage inside the valve. The pin need only travel 1/8" for fully opened air pressure. The Collar (#16832) is set resting against Point "C" so that, from completely off to completely on, the entire travel of the valve stem is only 3/16".



When installing Treadle Rod Air Switch, attach Top Ball Joint (#16865) to the motor lever, and Bottom Ball Joint (#16865) to the treadle extension. To adjust the treadle to satisfy the correct position for the operator, loosen the two (2) Set Screws (#19318) that hold the inside treadle rod against the Valve Housing (#17083). Now move the treadle rod up or down to satisfy operator. When set re-tighten both Set Screws (#19318). If rod is now too long cut off excess.



TREADLE ROD AIR SWITCH Universal #14453 (Amattco #21-1533)

Universal No.	Description	Qty. Req.
12571 *	Poly-Flo Hose (1/4" x 60")	2
16504	Valve Holder	1
16814	Treadle Rod	2
16832	Collar w/Set Screws	2
16841	Spring	1
16865	Ball Joint	2
17083	Valve Housing	1
18407	Male Connector (1/4" MPT x 1/4" Tube)	1
18410	Elbow (1/8" MPT x 1/4" Tube)	2
18540	3-Way Valve (N.C.)	1
19318	8-32 x 1/4" Socket Set Screw	3
14453	Treadle Rod Air Switch, Complete	

* Sold only in 100 foot coils when purchased separately.

Revision	Date
5	08-04-88
6	06-22-89



Title
Amattoc Toe Operated Treadle Rod Air Switch, 3-Way normally close d valve - For Vacuums, Needle Coolers, Spring Return Cylinders, or just blowing air (1/4" O.D. Hose, In and Out).

Universal No.
14453

Drawing No.
C-1533

Drawing Number:

14453

Universal Number:

C-1533