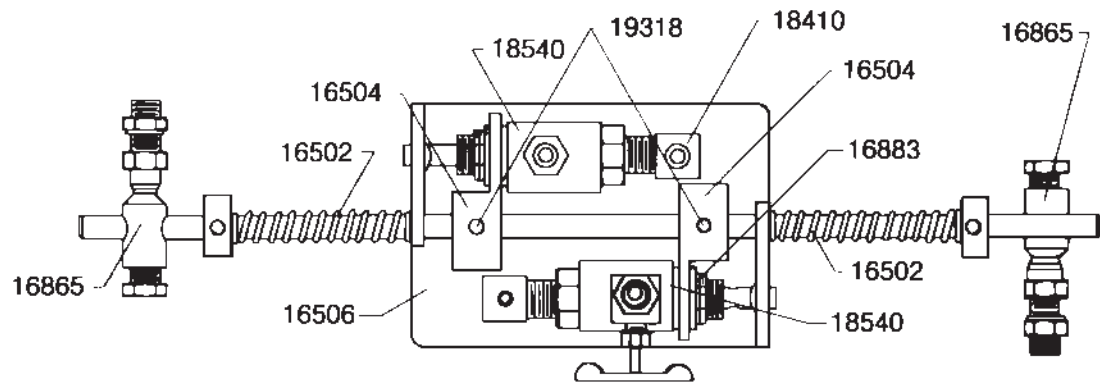
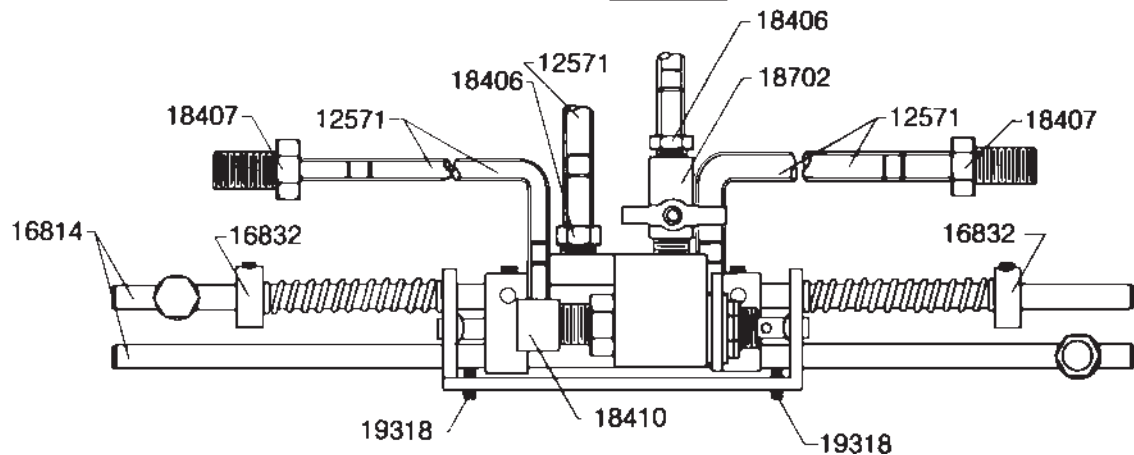


The distance between Point "A" and Point "B" is 3/16". The Valve Holder (#16504) is made so the travel of the stem in the Valve (#18540) does not exceed 3/16". This prevents the stem from traveling too far up into the valve and causing spring stress or breakage inside the valve. The pin need only travel 1/8" for fully opened air pressure.



When installing Treadle Rod Air Switch, attach Top Ball Joint (#16865) to the motor lever, and Bottom Ball Joint (#16865) to the treadle extension. To adjust the treadle to satisfy the correct position for the operator, loosen the two (2) Set Screws (#19318) that hold the inside treadle rod against the Valve Housing (#16506). Now move the treadle rod up or down to satisfy operator. When set re-tighten both Set Screws (#19318). If rod is now too long cut off excess.



| Universal No. | Description                           | Qty. Req. |
|---------------|---------------------------------------|-----------|
| 12571 *       | Poly-Flo Hose (1/4" x 60")            | 4         |
| 16502         | Spring                                | 2         |
| 16504         | Valve Holder                          | 2         |
| 16506         | Valve Housing w/Rivets                | 1         |
| 16814         | Treadle Rod                           | 2         |
| 16832         | Collar w/Set Screws                   | 2         |
| 16865         | BallJoint                             | 2         |
| 18406         | Male Connector (1/8" MPT x 1/4" Tube) | 2         |
| 18407         | Male Connector (1/4" MPT x 1/4" Tube) | 2         |
| 18410         | Elbow (1/8" MPT x 1/4" Tube)          | 2         |
| 18540         | 3-Way Valve (N.C.)                    | 2         |
| 18702         | Needle Valve (1/8" MPT x 1/8" FPT)    | 1         |
| 19318         | 8-32 x 1/4" Socket Set Screw          | 4         |
| 17841         | Treadle Rod Air Switch, Complete      |           |

\* Sold only in 100 foot coils when purchased separately.

| Revision | Date     | Title   |
|----------|----------|---|
| 5        | 08-04-88 | Amatcco Toe & Heel Operated Treadle Rod Air Switch. A combination of both #14453 & #14454 Actions (Toe & Heel Action 1/4" O.D. Hose, In and Out). 3-Way normally closed valves - for Vacuums, Needle Coolers, Spring Return Cylinders, or just blowing air. |
| 4        | 06-06-86 |   |
|          |          | <b>Universal No.</b><br><b>17841</b>  |
|          |          | <b>Drawing No.</b><br><b>C-1535</b>   |

Drawing Number:

17841

Universal Number:

C-1535