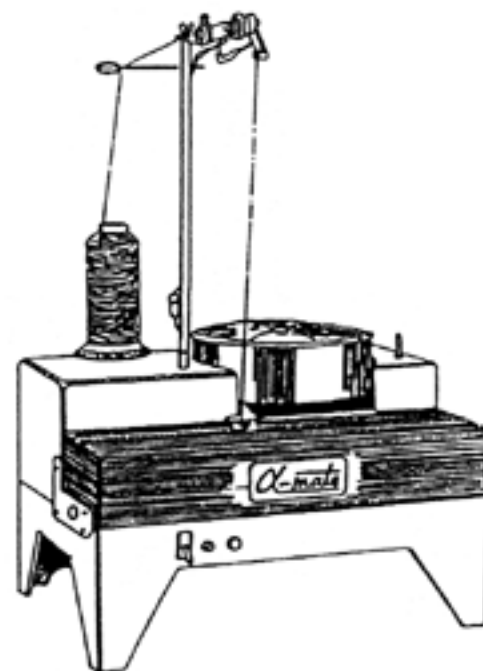

ALPHA-MATE

FULL-AUTOMATIC
BOBBIN WINDER

Alpha-mate **F-117** EXPORT

PARTS LIST



**Full Automatic Bobbin Winder
ALPHA-MATE Model F-117
PARTS LIST**

Section	Part No.	Description	Q'ty	Price	Section	Part No.	Description	Q'ty	Price
Body Parts	1	Upper body	1			24	Setting plate for No.23	1	
	2	Lower body	1			25	Setting bush for No.20-23	4	
	3	Acryl resin cover (F-117 type)	1			26	Setting bush for No.18	1	
	4	Electric cord	1			27	Stopper of bobbin supplying lever	1	
Bobbin hoppe parts	5	Bobbin hopper rotating cap	1		Main lever parts	28	Setting plate of control switch for safety appliance	1	
	6	Bobbin hopper	1			29	Supporting plate for main rotating cam	1	
	7	Upper body setting angle	4		Main rotating parts	30	Main rotating disc	1	
	8	Bobbin hole tester	1			31	Main rotating disc supporting base	1	
	9	Turning round plate for bobbins	1			32	Angle bracket for setting No.31	1	
	10(A)	Bobbin chuter connecting guide pin	2			33	Rotary disc	1	
	10(B)	Bobbin chuter guide plate	1			34	Rotary disc center shaft	1	
	11	Turning round plate for bobbins setting bush	1			35	Collar for bobbin drop	1	
	12	Bobbin hopper setting plate	1			36	Bobbin setting instrument	1	
13	Main shaft for rotating hopper	1		37	Rotary disc installed packing	1			
Main rotating cam parts	14	Main rotating cam center shaft	1		38	Rotary disc center shaft setting angle bracket	2		
	15	Supporting shaft for No.12	1		39	Rotary disc center shaft setting collar	4		
	16	Main rotating cam setting base	1		40	Rotary disc center shaft adjusting collar	1		
	17	Main rotating cam	1		41	Rotary disc packing	1		
Main lever parts	18	Main shaft lever for moving rotary disc	1		42	Main rotating disc packing	1		
	19	Main shaft lever for bobbin supply	1		Bobbin chuter parts	43	Bobbin chuter setting base plate	1	
	20	Guide lever for bobbin drop	1			44	Bobbin chuter (left)	1	
	21	Connecting lever for moving open close thread cutter	1			45	Bobbin chuter (right)	1	
	22	Bobbin supplying lever	1			46	Bobbin passing gauge	1	
	23	Rotary disc connecting lever	1						

Section	Part No.	Description	Q'ty	Price
	92	Safety appliance cord holding plate	1	
	93	Convertible switch setting plate	1	
	94	Bobbin chuter base setting bracket	1	
	95	Sub rotating cap for small type bobbin winding use	1	
	96	No.95 & No.5 cap setting screw	1	
	97	No.65 instrument adjusting screw	1	
	98	No.71 plate setting screw	1	
	99	No.70 thread stand pole setting screw	1	
Tension parts	100(A)	Thread stand plate	1	
	100(B)	Thread stand plate spool pin	1	
	101(A)	Tension stud	2	
	101(B)	Tension disc plate	4	
	101(C)	Tension spring	2	
	101(D)	Tension regulating thum nut.	2	
	101(E)	Thread guide (Small)	3	
	102	Accessory bobbin box	1	
	103	Thread retainer	1	
Additional parts	104	Acryl resin cover setting hinge used for F-117 type only	2	
	105	No.104 hinge setting screw	2	
	110	Main motor connecting belt	1	
	111	Sub motor connecting belt	1	
	112	No.82 & No.83 setting hinge used for F-116 type only	4	
	113	Bobbin catching guard	1	
	114	Plastic bobbin stopper	1	
	115	No.103 thread retainer adjusting screw	1	

Section	Part No.	Description	Q'ty	Price
	117(A)	No.60 setting screw	1	
	117(B)	No.60 setting washer	2	
	117(C)	No.60 setting nut	1	
	118(A)	No.68 setting screw	1	
	118(B)	No.68 setting nut	3	
	118(C)	No.68 setting washer	1	
Motor parts	120(A)	Main motor	1	
	120(B)	Main motor condenser	1	
	121	Sub motor	1	
	122	Sub motor guard and gear box	1	
	123	Digital auto-counter	1	
	124	Limit switch (for converting use)	1	
	125	Limit switch (for safety appliance use)	1	
	126	Limi switch (for thread sensing use)	1	
	127	Limit switch (for bobbin sensing use)	1	
	128	Electric power protector (Breaker)	1	
	129	Buzzer	1	
	130	Main switch	1	
	131	Start button	1	
	132	Indication lamp	1	
	133	Terminal (10P)	1	
	134	Connector (5P)	1	
	135	Connector (2P)	1	
	138	Wire sticker	1	
	139	Main switch ON & OFF plate	1	
	140	Bind	1	
	141	Suitable tool	1	

Figure (C) Assembled mechanism of F-117 type upper body section

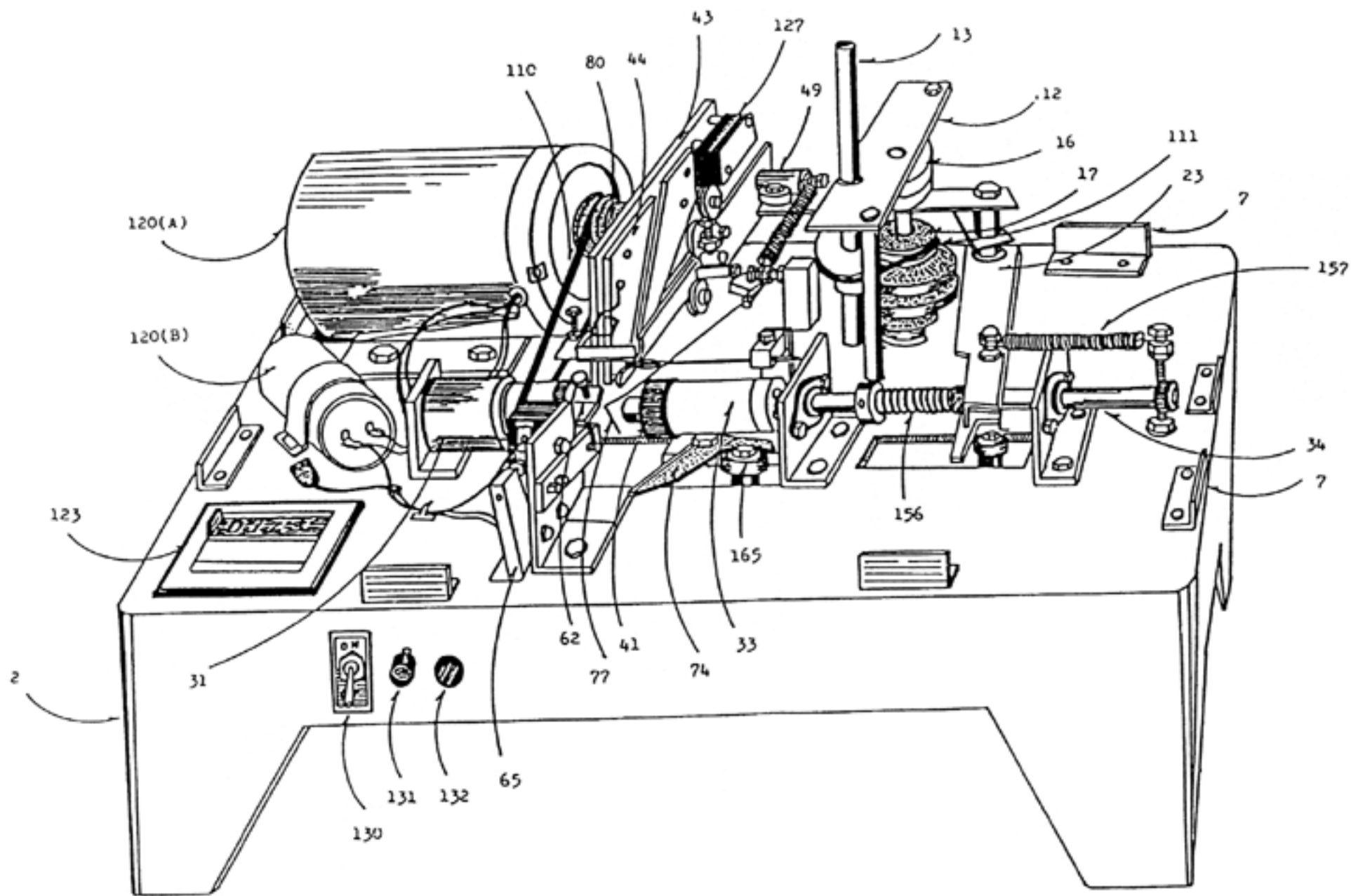


Figure (E) Bobbin hopper & tension section

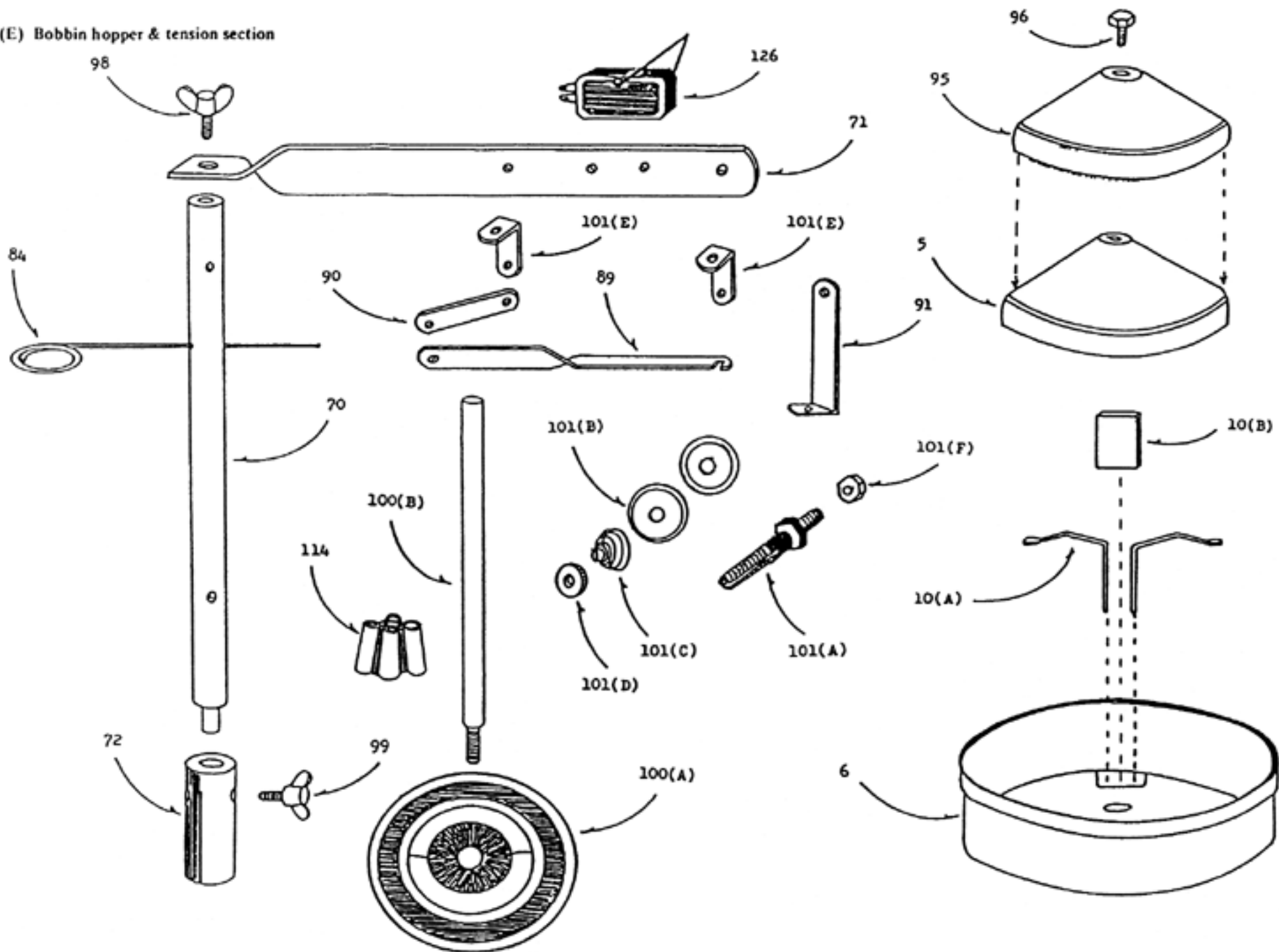


Figure (G) Main rotating disc & rotary disc section

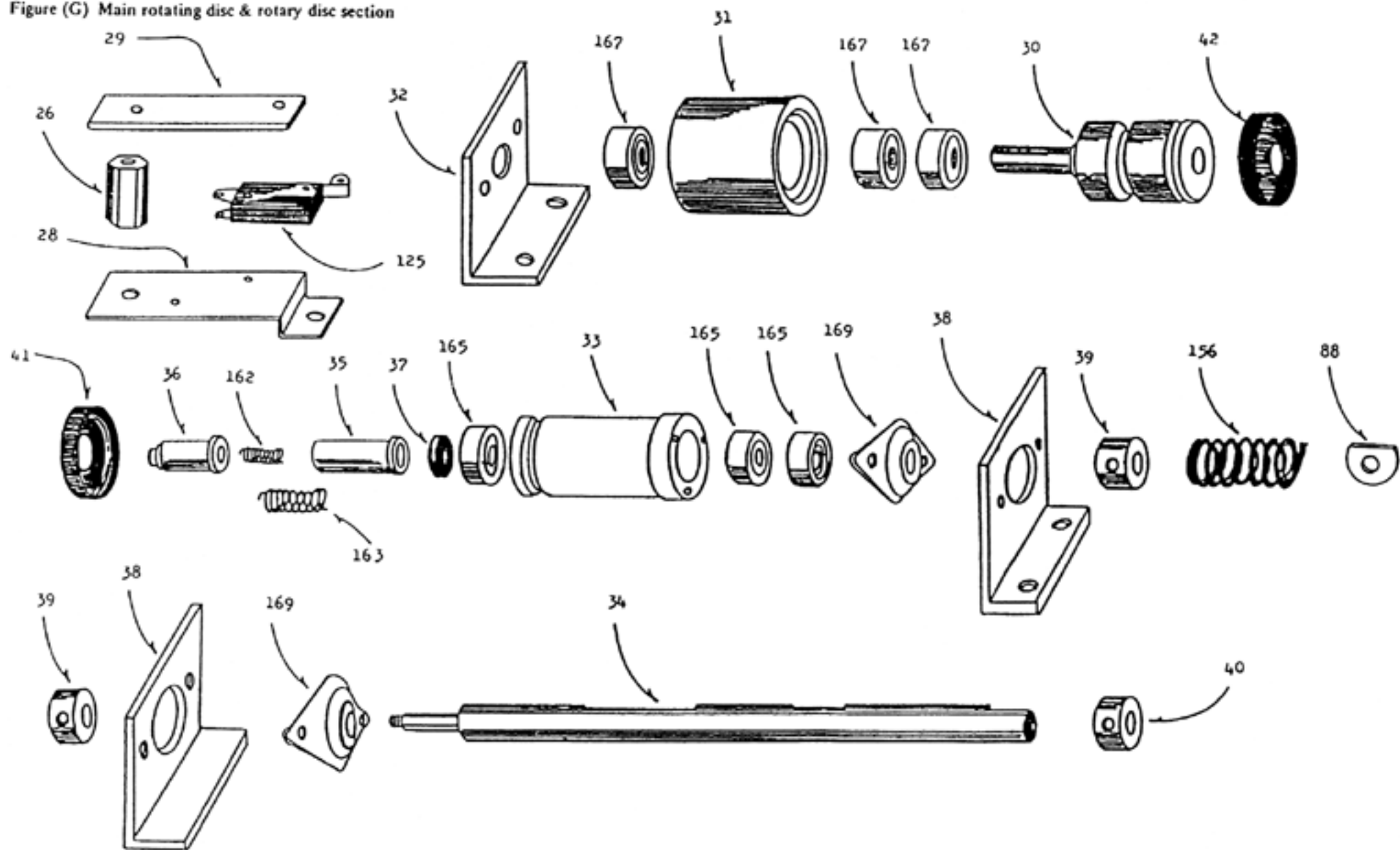


Figure (I) Winding volume & thread cutting section

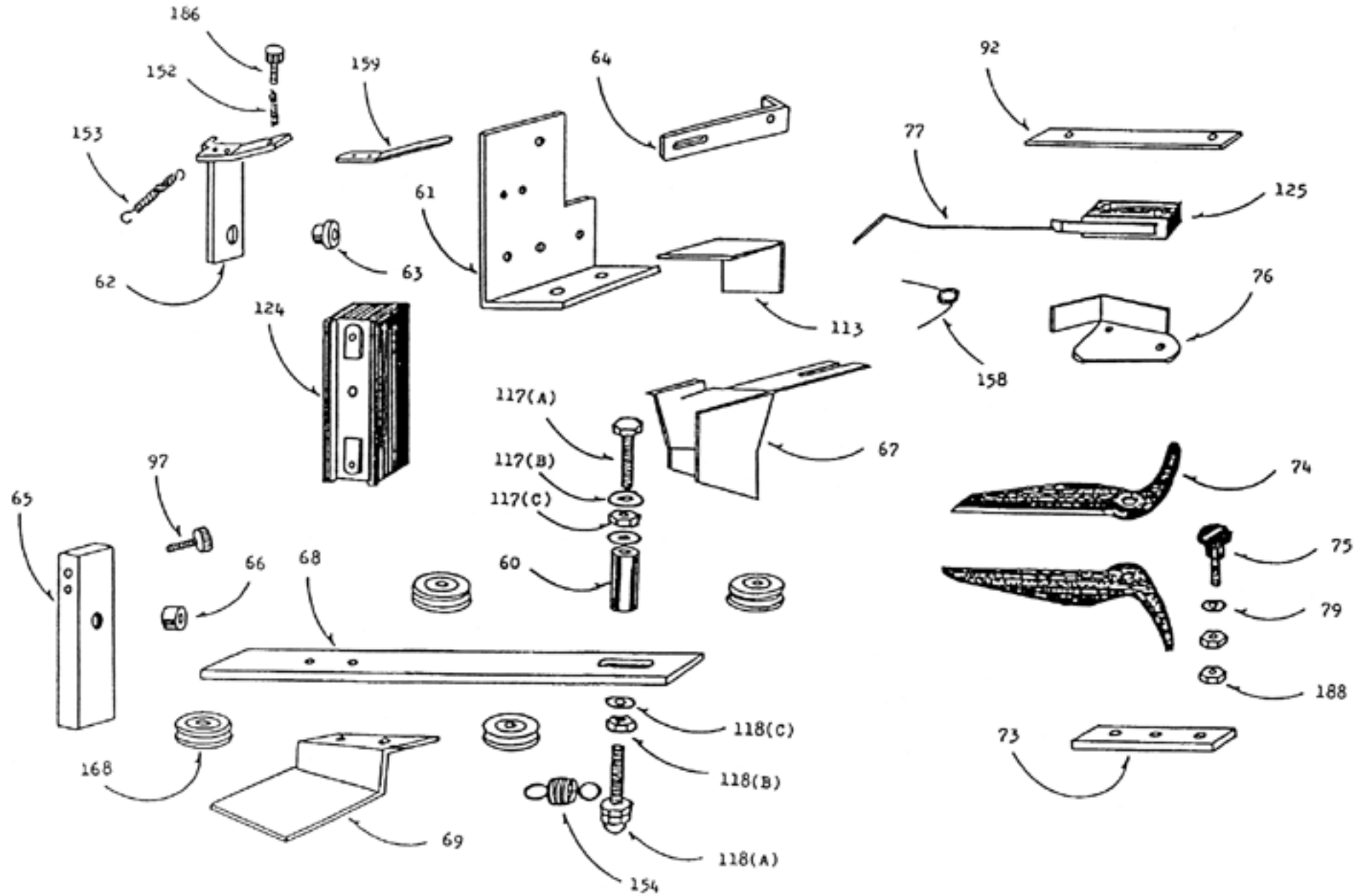


Figure (J) Newly designed & Improved main rotating disc set

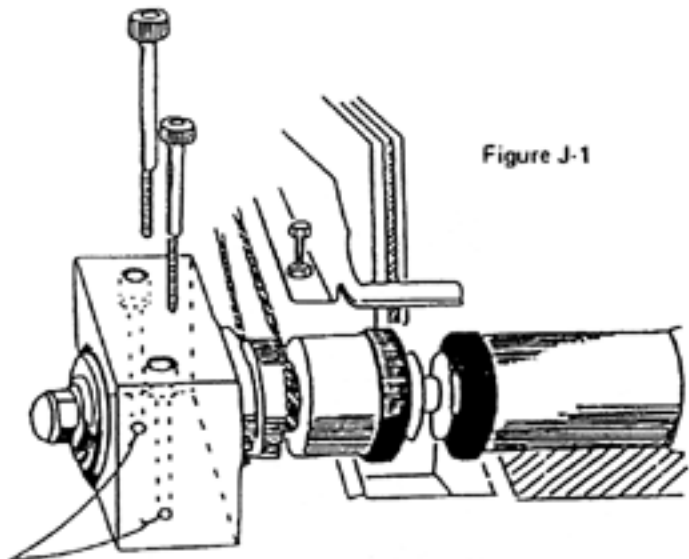


Figure J-1

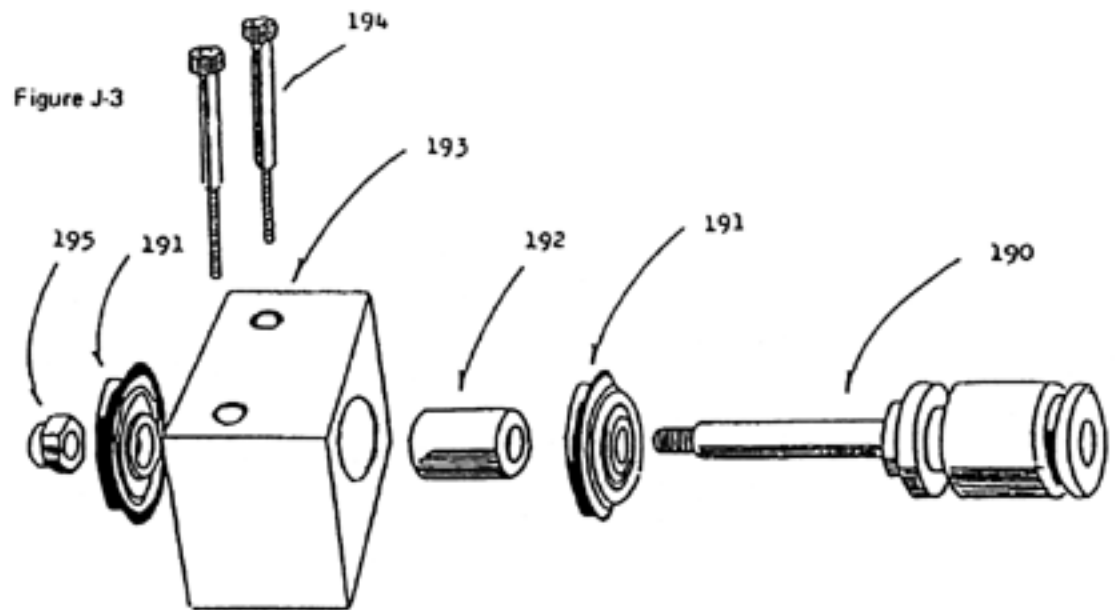


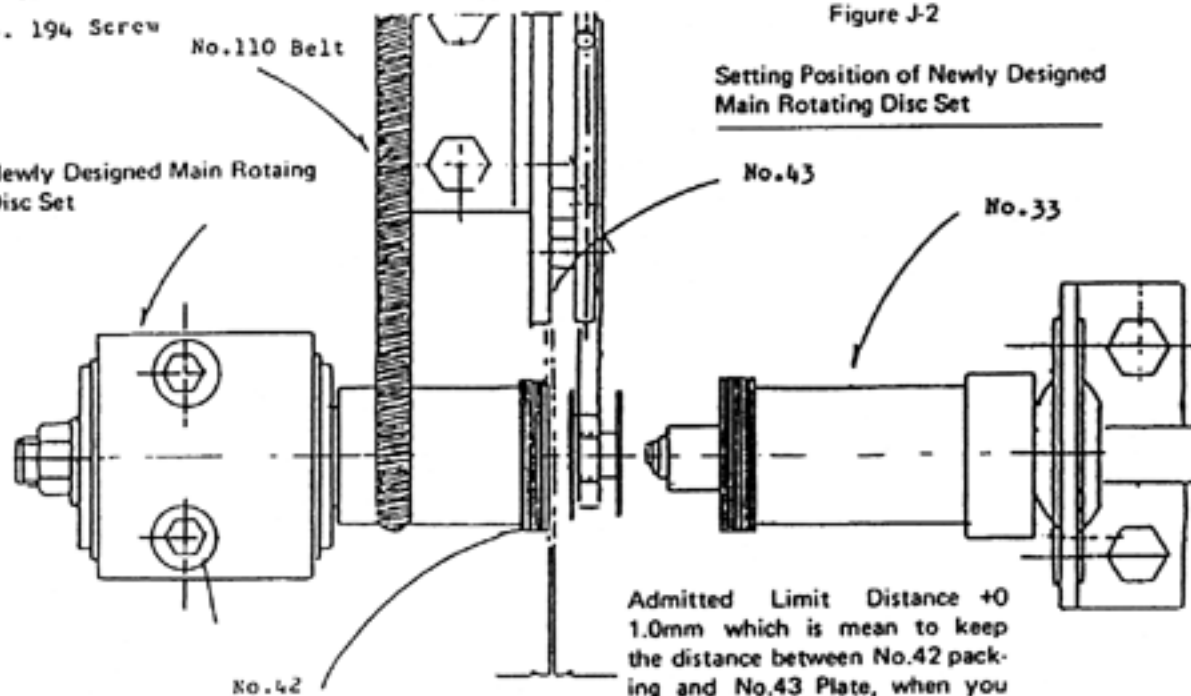
Figure J-3

Figure J-2

No. 194 Screw
No.110 Belt

Newly Designed Main Rotating Disc Set

Setting Position of Newly Designed Main Rotating Disc Set



Admitted Limit Distance +0 1.0mm which is mean to keep the distance between No.42 packing and No.43 Plate, when you set the newly designed Main Rotating Disc.