

"Genuine" Parts For Eastman Straight Knives

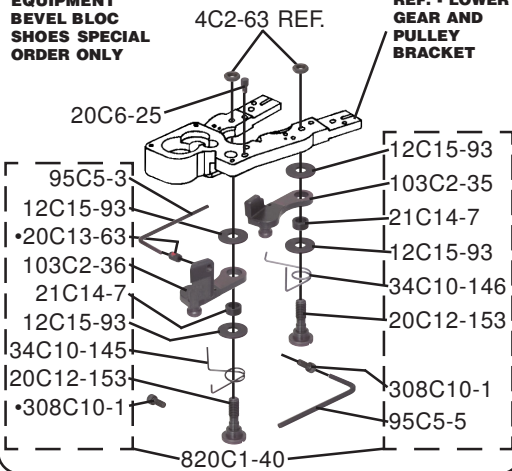
Model 627X BRUTE Model 629X BLUE STREAK II Sharpening Assembly

Bevel Bloc Shoe Assembly

Subassembly 743C3-1 includes:

Univ. Number	Eastman Number	Description
GE1696	20C13-63 766C1-1 308C10-1	Socket Set Screw Bevel Bloc Assembly (L.H.) Socket Set Screw (6-32 x 5/16") (2)

**OPTIONAL EQUIPMENT
BEVEL BLOC
SHOES SPECIAL
ORDER ONLY**



All Drawings © 1988-1990, 1993, 1995, 1996, 1998
Eastman Machine Company

Univ. Number	Eastman Number	Description
GE1561	4C2-63 715C1-16 715C1-18	Nut (L.H.) (2) Lower Gear Bracket (5"-10" Knife, Complete) Lwr. Gear Brkt. (11-1/2"-13" Knife, Complete)
GE1115	820C1-40	Conversion Kit (R.H. & L.H. Shoes)

Conversion Kit includes the following:

GE1654	12C15-93	Washer Shoe (4)
GE1495	20C6-25 *	Adjusting Screw
GE1657	20C12-153	Screw For Sharpener Shoe (2)
GE1696	20C13-63	Socket Set Screw
GE1697	21C14-7	Shoe Bushing (2)
GE1698	34C10-145	Spring Shoe (L.H.)
GE1699	34C10-146	Spring Shoe (R.H.)
	95C5-3	Allen Wrench
	95C5-5 *	Allen Wrench
GE1700	103C2-35	Sharpener Shoe (R.H.)
GE1701	103C2-36	Sharpener Shoe (L.H.)
	308C10-1 *	Socket Set Screw (6-32 x 5/16") (2)
GE1119	820C1-39	Conversion Kit (includes * parts above)

Note: 766C1 and 766C1-1 are sold in pairs with kits only.

Note: Number in parenthesis indicate quantity of a part required.