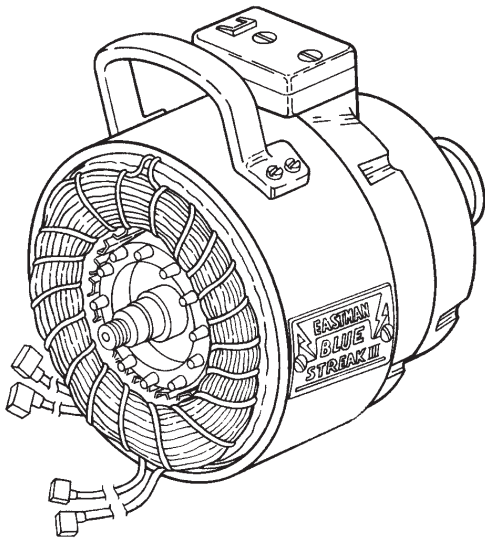


"Genuine" Parts For Eastman Straight Knives

Model 627X BRUTE Model 629X BLUE STREAK II

SINGLE & THREE PHASE MOTOR ASSEMBLIES (Single & Dual Speed)



All Drawings © 1988-1990, 1993, 1995, 1996, 1998 Eastman Machine Company

Univ. Number	Eastman Number	Description
	1C4-8 ****	Cutout Sleeve
GE1349	4C1-145	Shaft Lock Nut
	4C2-87	Clutch Nut
GE1341	8C5-10 ***	Automatic Switch Insulation
	8C12-4 ***	Lead Wire Insulation (2)
GE1353	10C1-41	Rotor Fan
GE1343	12C1-12	Loading Spring Washer
	12C1-32	Lock Washer
GE1347	13C1-9	Turning Knob
GE1351	18C6-16	Retaining Ring
	22C1-24 **	Carrying Handle
	30C1-8	Dust Cap
GE1348	34C1-51	Clutch Spring
	47C4-79 ***	Terminal
	47C4-80 ***	Terminal
GE1714	53C7-35	Fan Cover
GE1356	67C1-10 ****	Cutout Mount
	73C7-121	Terminal Wire Tubing
	79C2-26 ****	Direction Arrow Plate
	90C1-146	Rear Bearing Housing
GE1582	90C6-46	Rear Ball Bearing
	199C1-23 ****	Wire Lug (3)
	254C1	Cable Tie (4")
GE1574	300C12-3 ****	Round Head Screw (8-32 x 3/8") (2)
GE2015	300C12-6	Round Head Screw (4)
GE1715	301C8-1	Fillister Head Screw (4-40 x 1/2") (3)
	301C12-3 ***	Fillister Head Screw (8-32 x 3/8") (2)
GE1350	305C8-1	Binding Head Screw (10)
	305C10-1	Binding Head Screw
	513C3-206 **	Rotor w/Shaft
	513C3-225 *	Rotor w/Shaft
	514C5-109 *&***	Stator w/Band (110V, 60Hz, 3600RPM)
	514C5-114 *&***	Stator w/Band (110V, 60Hz, 1800/3600RPM)
	514C5-127 *&***	Stator w/Band (110V, 60Hz, 3600RPM)
	514C5-129 *&***	Stator w/Band (110V, 60Hz, 1500/3000RPM)
	514C5-146 *&****	Stator w/Band (220V, 60Hz, 3600RPM)
	514C5-148 *&****	Stator w/Band (220V, 60Hz, 1800/3600RPM)
	514C5-155 *&****	Stator w/Band (220V, 60Hz, 3600RPM)
	514C5-158 *&****	Stator w/Band (220V, 60Hz, 1800/3600RPM)
GE1338	580C1-191 ***	Cutout Switch (Dual Speed)
GE1337	580C1-192 ***	Cutout Switch (Single Speed)
GE1345	597C2-14 ***	Cutout Assembly (60C, 3600RPM)
GE1716	597C2-25 ***	Cutout Assembly (60C, 1500/3000RPM)
	783C1-3	Grounding Wire Assembly

* Class 627X Only ** Class 629X Only
 *** One Phase Motor Assemblies Only
 **** Three Phase Motor Assemblies Only

Note: Number in parenthesis indicate quantity of a part required.

"Genuine" Parts For Eastman Straight Knives

⚠ WARNING
 Attach ground wire to ground terminal "E" on Terminal Block.
 Failure to ground Terminal Block may result electrocution or other serious personal injuries.

**STATOR WITH BAND
 SINGLE-PHASE SINGLE-SPEED**
 514C5-109 514C5-127

**STATOR WITH BAND
 SINGLE-PHASE DUAL-SPEED**
 514C5-114 514C5-129

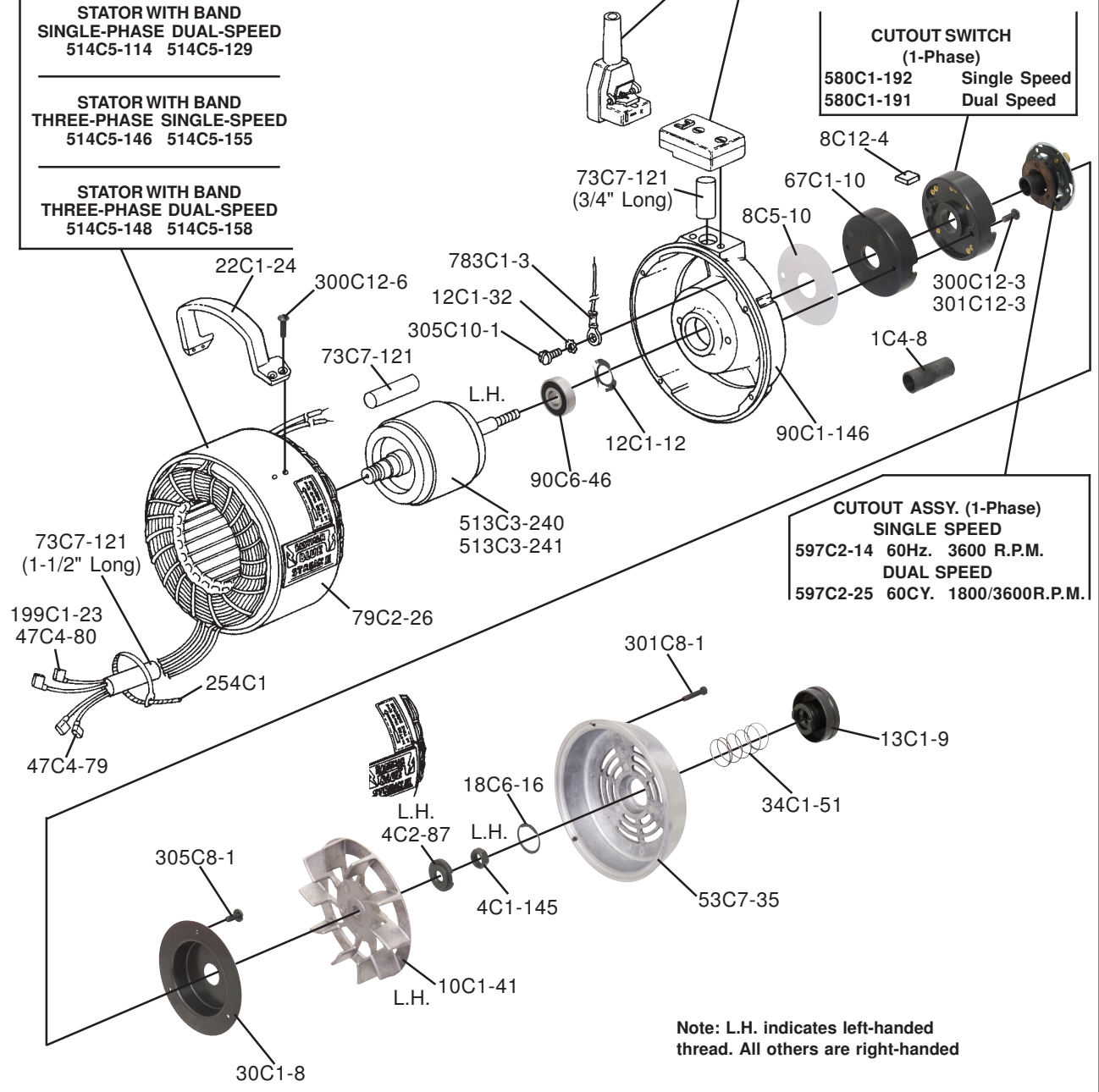
**STATOR WITH BAND
 THREE-PHASE SINGLE-SPEED**
 514C5-146 514C5-155

**STATOR WITH BAND
 THREE-PHASE DUAL-SPEED**
 514C5-148 514C5-158

**SEE ATTACHMENT
 PLUG TERMINAL
 BLOCK**

**CUTOUT SWITCH
 (1-Phase)**
 580C1-192 Single Speed
 580C1-191 Dual Speed

CUTOUT ASSY. (1-Phase)
 SINGLE SPEED
 597C2-14 60Hz. 3600 R.P.M.
 DUAL SPEED
 597C2-25 60CY. 1800/3600R.P.M.



Note: L.H. indicates left-handed thread. All others are right-handed

All Drawings © 1988-1990, 1993, 1995, 1996, 1998 Eastman Machine Company