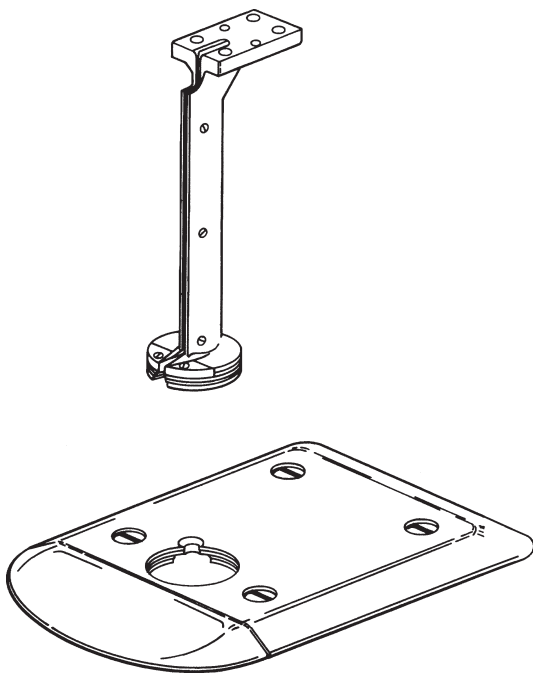


"Genuine" Parts For Eastman Straight Knives

Model 627X BRUTE Model 629X BLUE STREAK II

STANDARD & BASE PLATE ASSEMBLY



All Drawings © 1988-1990, 1993, 1995, 1996, 1998 Eastman Machine Company

Univ. Number	Eastman Number	Description
GE1531	12C1-35	Lock Washer (4)
	12C15-77	Washer
GE1605	17C1-4	Taper Pin (#0 x 3/4") (2)
GE1528	17C6-9	Hinge Pin (2)
GE1768	20C5-12	Clamp Screw For Rollers (8)
GE1517	20C12-19	Knife Slide Screw
GE1532	20C13-51	Hinge Pin Clamp Screw (4)
GE1769	34C1-57	Plate Wing Tension Spring (2)
GE1529	60C1-55	Plate Wing (For Small Plates)
GE1530	60C1-56	Plate Wing (For Large Plates)
GE1770	79C4-12	Throat Plates w/Screws & Pins
	79C4-24	Tapered & Relieved Throat Plates Assembly
GE1527	213C1-1	Fibre Shim (6)
GE1451	302C12-3	Flat Head Screw (8-32 x 3/8") (3)
GE1772	505C3-223	Small Plate Base, Complete (5"—8" Knives)
GE1773	505C3-224	Large Plate Base, Complete (9"—13" Knives)
GE1118	505C3-226	Small Plate Base, Complete (5"—8" Knives)
		For 50 Cycle 1500 RPM & Dual-Speed Only
GE1124	505C3-227	Large Plate Base, Complete (9"—13" Knives)
		For 50 Cycle 1500 RPM & Dual-Speed Only
	505C3-243	Small Plate Base, Complete (5"—8" Knives)
		Used with Swivel Roller Assembly Only
	505C3-244	Large Plate Base, Complete (9"—13" Knives)
		Used with Swivel Roller Assembly Only
	528C1-112	Micro Fog Standard (Complete w/Slides & Throat Plates) (6" Knife)
GE1509	528C1-123	Standard (Complete w/Slides & Throat Plates) (5" Knife)
GE1510	528C1-120	Standard (Complete w/Slides & Throat Plates) (6" Knife)
GE1511	528C1-122	Standard (Complete w/Slides & Throat Plates) (7" Knife)
GE1512	528C1-121	Standard (Complete w/Slides & Throat Plates) (8" Knife)
GE1183	528C1-115	Standard (Complete w/Slides & Throat Plates) (9" Knife)
GE1514	528C1-116	Standard (Complete w/Slides & Throat Plates) (10" Knife)
GE1184	528C1-124	Standard (Complete w/Slides & Throat Plates) (11-1/2" Knife)
GE1185	528C1-125	Standard (Complete w/Slides & Throat Plates) (13" Knife)
GE1533	532C2-3	Rubber Mounted Roller, Complete (4)
GE1534	532C2-5	Rubber Mounted Roller, Complete (4)
GE1918	532C2-7	Rubber Mounted Roller, Complete (4)
GE1777	619C1-31	Roller Shell, Complete (4)
GE1518	643C1-44	Knife Slides, Complete w/Screws (5" Knife)
GE1519	643C1-41	Knife Slides, Complete w/Screws (6" Knife)
GE1229	643C1-42	Knife Slides, Complete w/Screws (7" Knife)
	643C1-43	Knife Slides, Complete w/Screws (8" Knife)
GE1522	643C1-46	Knife Slides, Complete w/Screws (9" Knife)
GE1523	643C1-47	Knife Slides, Complete w/Screws (10" Knife)
GE1524	643C1-53	Knife Slides, Complete w/Screws (11-1/2" Knife)
GE1525	643C1-45	Knife Slides, Complete w/Screws (13" Knife)
	643C1-51	Knife Slides, Complete w/Screws (6" Micro Fog)
GE1778	619C1-32	Swivel Roller Assembly

Note: Number in parenthesis indicate quantity of a part required.

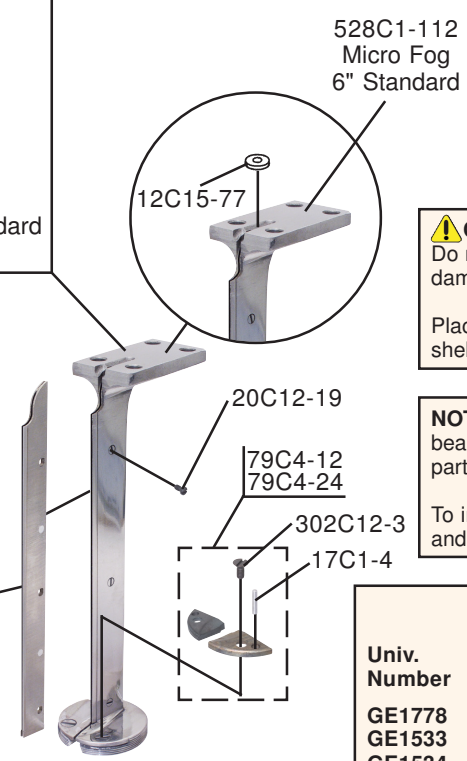
"Genuine" Parts For Eastman Straight Knives

STANDARDS COMPLETE W/SLIDES

528C1-123	5" Standard
528C1-120	6" Standard
528C1-122	7" Standard
528C1-121	8" Standard
528C1-115	9" Standard
528C1-116	10" Standard
528C1-124	11-1/2" Standard
528C1-125	13" Standard

KNIFE SLIDES

643C1-44	5" Knife
643C1-41	6" Knife
643C1-42	7" Knife
643C1-43	8" Knife
643C1-46	9" Knife
643C1-47	10" Knife
643C1-53	11-1/2" Knife
643C1-45	13" Knife
643C1-51	6" Micro Fog



CAUTION
Do not oil the plate roller shells or you may damage them.

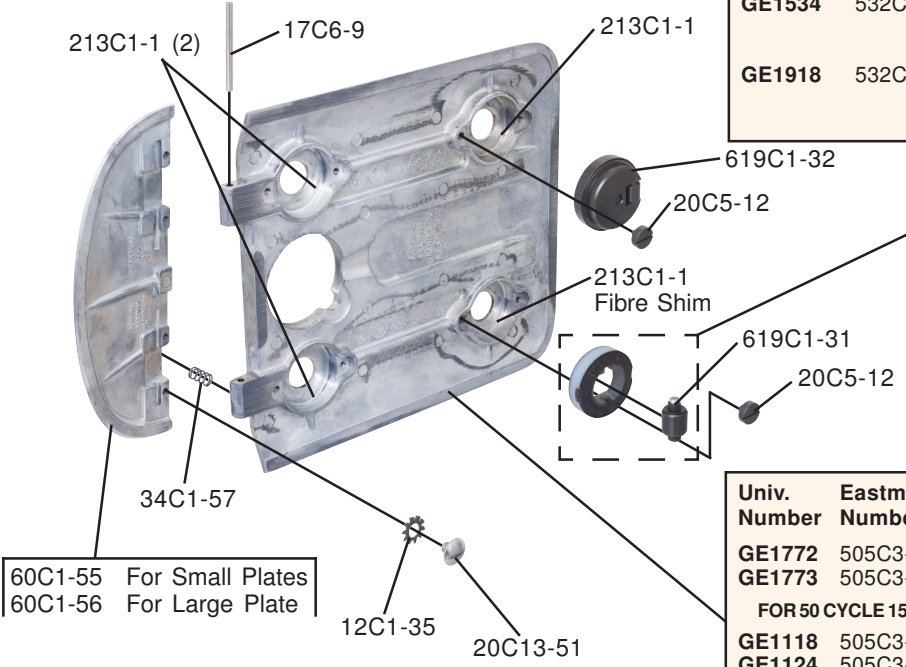
Place the plate on blocks and press out the roller shell from the ring assembly.

NOTE: A roller shell (complete with shaft and bearings) may be ordered as required. Specify part number 619C1-30.

To install a new roller shell, invert the baseplate and press the roller shell into the ring assembly.

OPTIONAL

Univ. Number	Eastman Number	Description
GE1778	619C1-32	Swivel Roller Assembly
GE1533	532C2-3	Rubber Mounted Wide Roller
GE1534	532C2-5	Rubber Mounted Roller (For all machines except noted below)
GE1918	532C2-7	Rubber Mounted Roller (For 50 cycle 1500 RPM & dual-speed machines only)



Univ. Number	Eastman Number	Description
GE1772	505C3-223	Small Plate For 5"-8" Knives
GE1773	505C3-224	Large Plate For 9"-13" Knives
FOR 50 CYCLE 1500 RPM & DUAL-SPEED MACHINES ONLY		
GE1118	505C3-226	Small Plate For 5"-8" Knives
GE1124	505C3-227	Large Plate For 9"-13" Knives
FOR PLATES WITH SWIVEL ROLLERS		
GE1772	505C3-223	Small Plate For 5"-8" Knives
GE1773	505C3-224	Large Plate For 9"-13" Knives

All Drawings © 1988-1990, 1993, 1995, 1996, 1998 Eastman Machine Company