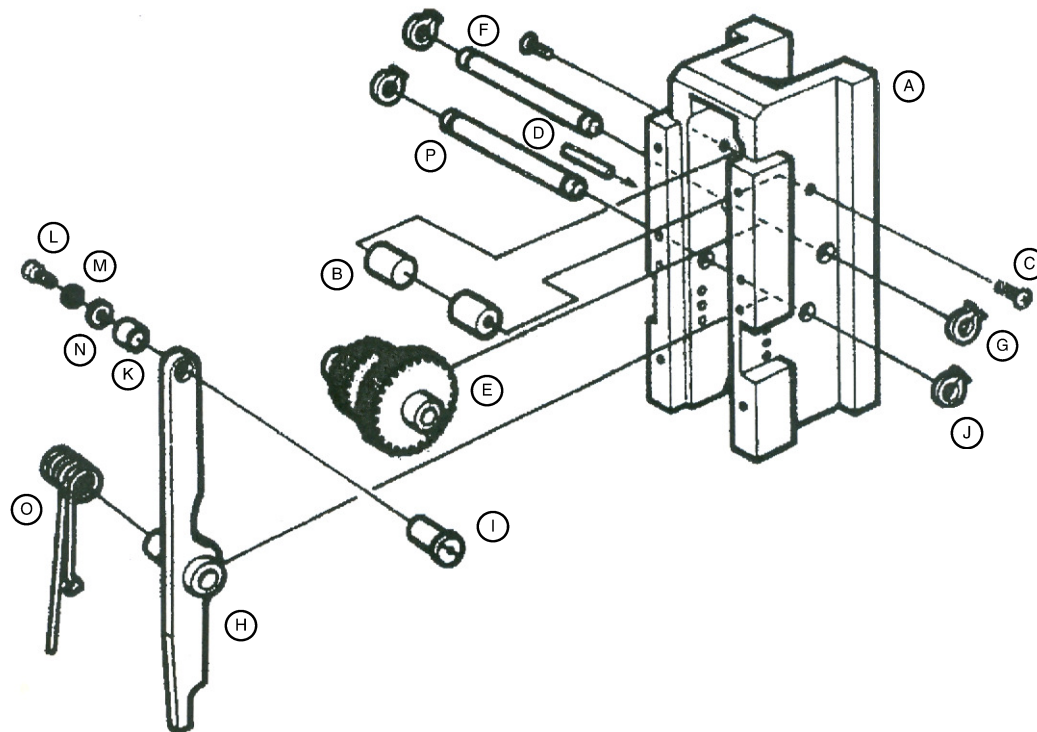


# Parts for Avery Dennison ST9000™ Plastic Staple® Attacher — Old Style — Head — Internal Parts

**Note:** Old style ST9000 have the Style Number 10646-0, which is printed on the machine.



| Univ. Number | Fig. | Part Number | Description           | Qty. |
|--------------|------|-------------|-----------------------|------|
|              | A    | DT0103-001  | Housing               | 1    |
|              | B    | DT0106-001  | Guide, knife lever    | 2    |
|              | C    | DT0226-001  | Screw M4 x 8mm        | 2    |
|              | D    | 047301-842  | Spring pin M3         | 1    |
| 16014        | E    | DT0108-001  | Gear, ejector         | 1    |
|              | F    | DT0109-001  | Shaft, gear           | 1    |
|              | G    | 048060-142  | C-Ring M6             | 2    |
|              | H    | DT0110-001  | Assembly, knife lever | 1    |
|              | I    | DT0112-001  | Shaft, knife roller   | 1    |
|              | J    | 048060-142  | C-Ring M6             | 2    |
|              | K    | DT0113-001  | Knife roller          | 1    |
|              | L    | 018300-831  | Screw M3 x 8mm        | 1    |
|              | M    | 028030-242  | Lock washer M3        | 1    |
|              | N    | 026030-232  | Washer M3             | 1    |
|              | O    | DT0115-001  | Spring, knife lever   | 1    |
|              | P    | DT0116-001  | Shaft, knife lever    | 1    |