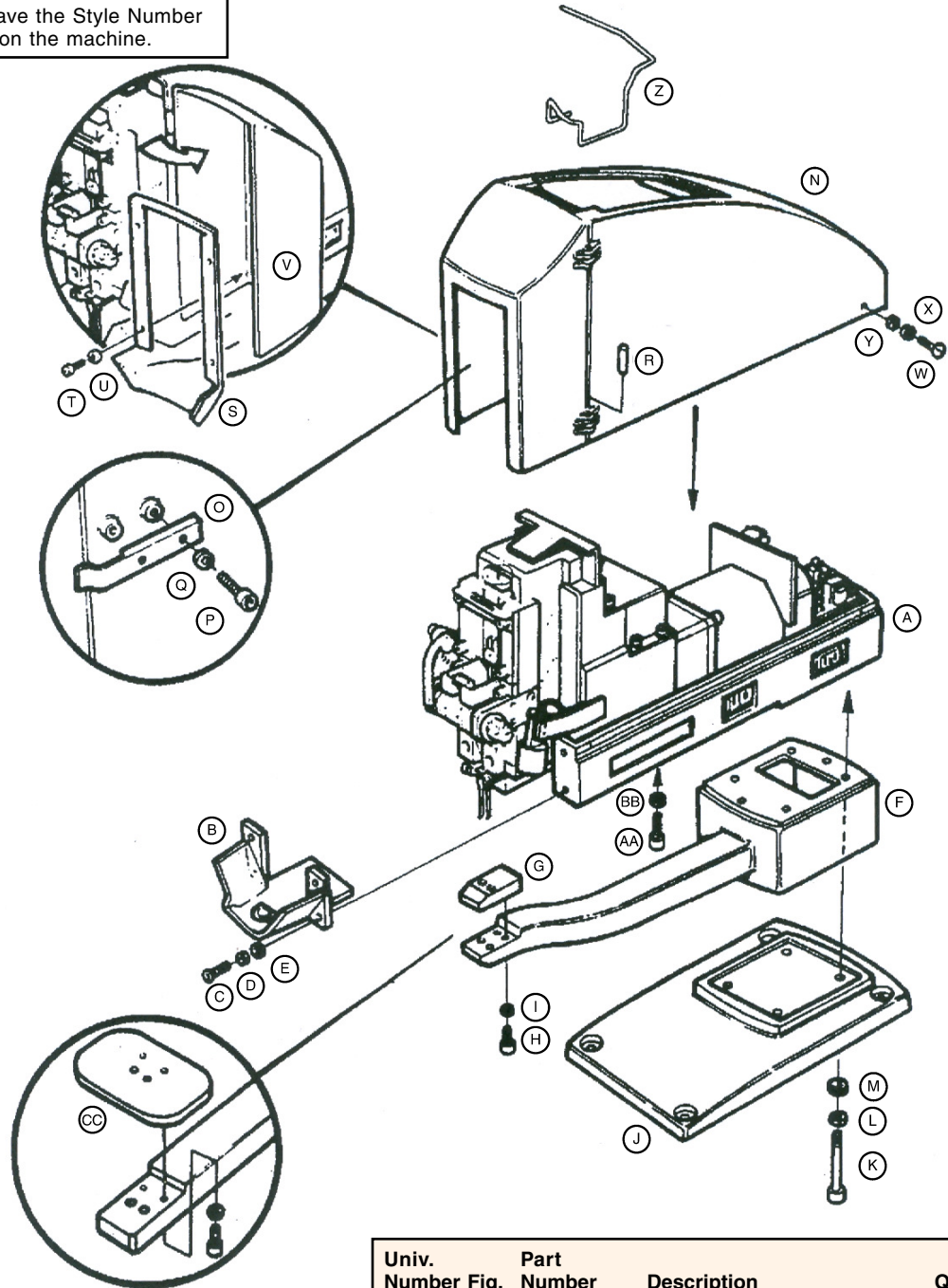


Parts for Avery Dennison ST9000™ Plastic Staple Attacher — Old Style

Note: Old style ST9000 have the Style Number 10646-0, which is printed on the machine.



Univ. Number	Fig.	Part Number	Description	Qty.
16010	A	DT0002-001	Assembly, frame	1
	B	DT0007-001	Needle guard	1
	C	DT0029-001	Button screw M4 x 8mm	4
	D	028040-242	Lock washer M4	4
	E	026040-136	Washer M4	4
	F	DT0008-001	Assembly, reactor arm	1
	G	DT0010-001	Reactor plate, Standard ST9000	1
	H	018400-831	Screw M4 x 8mm	2
	I	028040-242	Lock washer M4	2
	J	DT0012-001	Base	1
	K	018089-531	Screw M8 x 95mm	4
	L	028080-242	Lock washer M8	4
	M	025080-132	Washer M8	4
	N	DT0013-001	Assembly, enclosure	1

Univ. Number	Fig.	Part Number	Description	Qty.
	O	DT0018-001	Spring, front door	1
	P	018300-631	Screw M3 x 6mm	2
	Q	028030-242	Lock washer M3	2
16011	R	DT0022-001	Pin, hinge	2
	S	DT0027-001	Door, needle guard	1
	T	018300-631	Screw M3 x 6mm	4
	U	DT0028-001	Washer M3 x 12	4
	V	DT0024-001	Door, enclosure (not clear)	1
		DT0024-002	Clear door (goes on vertical machine)	1
16012	W	DT0029-001	Button screw M4 x 8mm	4
	X	028040-242	Lock washer M4	4
	Y	026040-136	Washer M4	4
16013	Z	DT0030-001	Reel support	1
	AA	018061-531	Screw M6 x 15mm	4
	BB	028060-242	Lock washer M6	4
	CC	DT0036-001	Reactor plate, Vertical ST9000	1