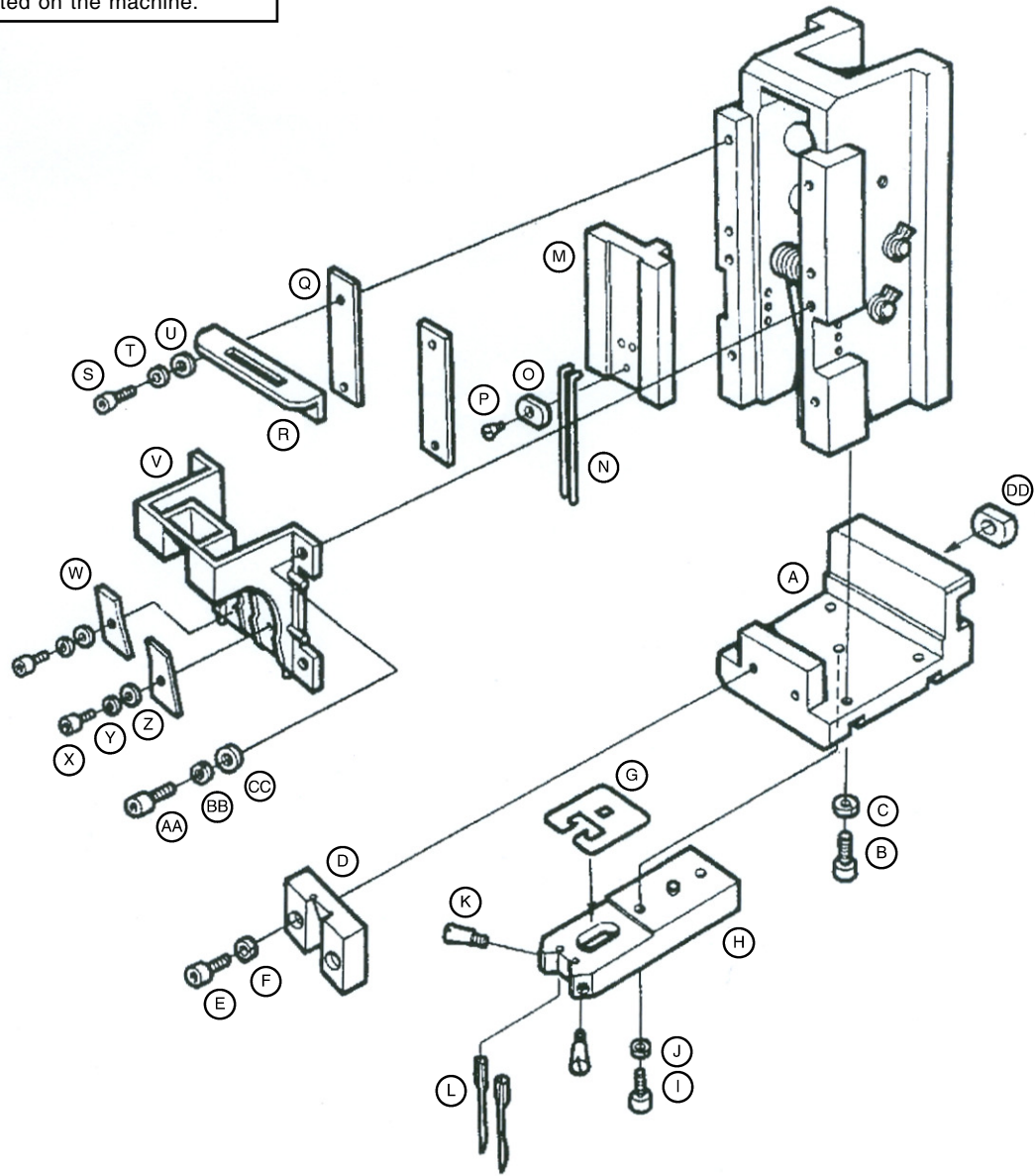


# Parts for Avery Dennison ST9000™ Plastic Staple® Attacher — Old Style — Head — External Parts 2

**Note:** Old style ST9000 have the Style Number 10646-0, which is printed on the machine.



Univ. Number Fig.	Part Number	Description	Qty.
16015	A DT0117-001	Block, needle holder	1
	B 018401-031	Screw M4 x 10mm	4
	C 028040-242	Lock washer M4	4
16016	D DT0118-001	Knife block	1
	E 018400-831	Screw M4 x 8mm	2
	F 028040-242	Lock washer M4	2
	G DT0119-001	Knife	1
16017	H DT0120-001	Assembly, needle holder	1
	I 018401-531	Screw M4 x 15mm	2
	J 028040-242	Lock washer M4	2
16018	K DT0122-001	Screw, needle lock	2
1622	L 11008	Needles, Plastic Staple™ Fine Fabric™	2
1623	L 11009	Needles, Plastic Staple™ Ultra Fine Fabric™	2
	M DT0125-001	Ejector slide	1
16003	N 7-60-2733-01	Ejector rod	2

Univ. Number Fig.	Part Number	Description	Qty.
	O DT0128-001	Ejector rod washer	1
16025	P DT0158-001	Screw M3 x 8mm	1
	Q DT0129-001	Screw plate	2
	R DT0130-001	Upper feed guide	1
	S DT0159-001	Button screw M4 x 10mm	4
	T 026040-136	Washer M4	4
	U 028040-242	Lock washer M4	4
16020	V DT0131-001	Assembly, feed guide	1
16021	W DT0135-001	Guide plate	2
	X 018300-631	Screw M3 x 6mm	2
	Y 028030-242	Lock washer M3	2
	Z 026030-232	Washer M3	2
	AA 018400-831	Screw M4 8mm	4
	BB 026040-136	Washer M4	4
	CC 028040-242	Lock washer M4	4
	DD DT0224-001	Bushing, crank	1