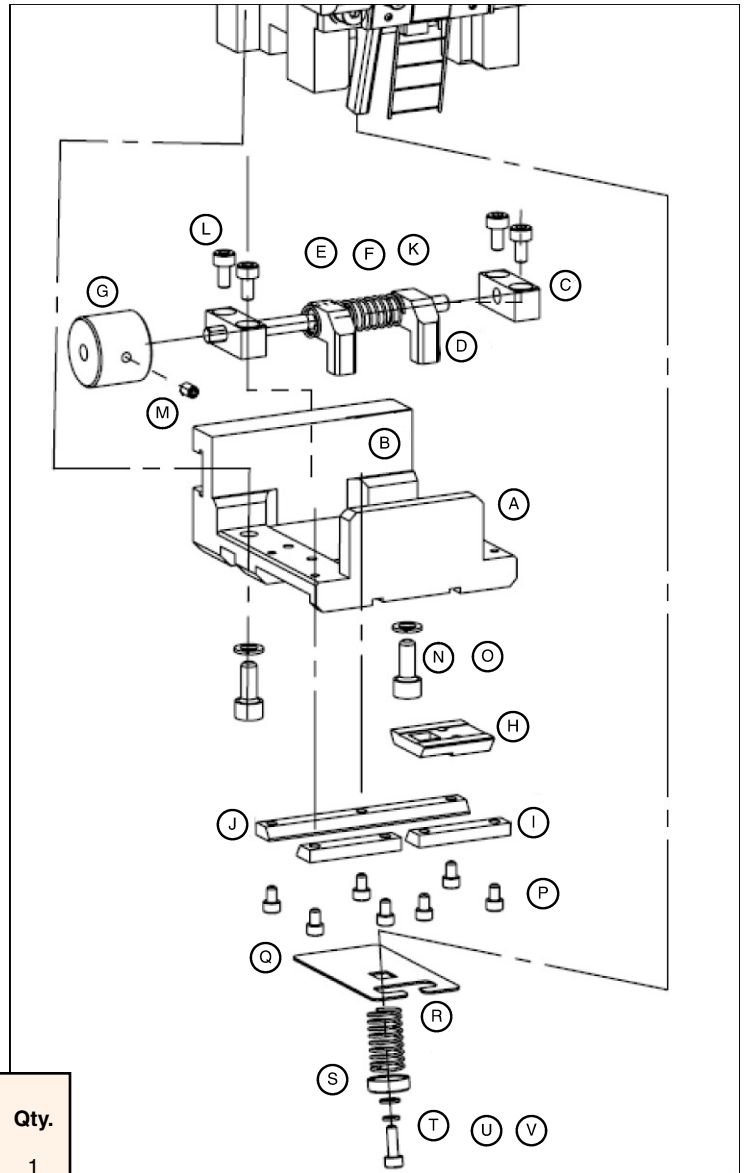


# Parts for Avery Dennison ST9500™ Plastic Staple Attacher — Base, Knife Assembly



Univ. Number	Fig.	Part Number	Description	Qty.
		A	3-06-0016-01 Assy, Base, Knife	1
		B	3-05-0018-01 Base, Knife	1
		C	3-05-0019-01 Support, Shaft	2
		D	3-05-0020-01 Nut, Right	1
		E	3-05-0021-01 Bolt, Adjust	1
		F	3-05-0022-01 Nut, Left	1
		G	3-05-0023-01 Handle, Adjust	1
		H	3-05-0024-01 Block, Guide, V Shape	2
		I	3-05-0025-01 Block, Guide	2
		J	3-05-0026-01 Block, Guide, Long	1
17008		K	3-05-0068-01 Spring, adjust needle space	1
		L	140001000802 Screw, Hexagon Socket Cup Head, Black 3X6	4
		M	140004000702 Trip Bolt, Hexagon Socket Head, Black 3X5	1
		N	140001001201 Screw, Hexagon Socket Cup Head, Black 4X10	2
		O	140012008001 Lock Washer, Black D4	2
		P	140001065401 Screw, Hexagon Socket Cup Head, Black 2.5X4	7
17001		Q	3-05-0027-01 Knife	1
17009		R	3-05-0069-01 Spring, hold knife	1
17007		S	3-05-0028-01 Cover, Spring	1
		T	140001047002 Screw, Hexagon Socket Cup Head, Black 2.5X8	1
		U	140012016201 Lock Washer, D2.5	1
		V	140012016301 Washer, D2.5	1