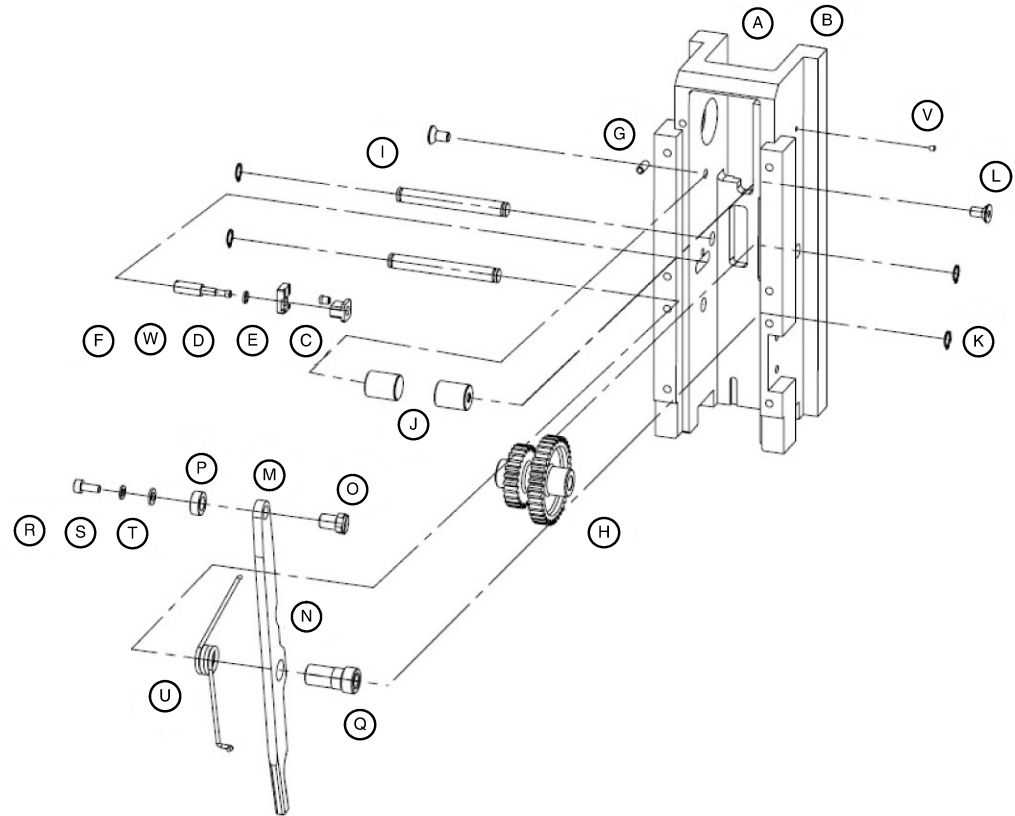


Parts for Avery Dennison ST950™ Plastic Staple® Attacher — Head Subassembly and Knife Lever Assembly



Univ. Number	Part Fig. Number	Part Number	Description	Qty.
	A	3-06-0014-01	Sub Assy, Head	1
	B	3-05-0013-01	Housing	1
	C	3-05-0014-01	Block, Slide, Rear, Shot Mode	1
	D	3-05-0015-01	Block, Slide, Front, Shot Mode	1
	E	110020003101	Ball detent	1
	F	3-05-0016-01	Adjust Rod, Space, Shot Mode	1
	G	110015022401	Pin, Spring	1
	H	DT0108-001	Spur Gears	1
	I	DT0116-001	Shaft, Knife Lever	2
	J	DT0106-001	Guide, Knife Lever	2
	K	110017000101	C Ring, Shaft	4
	L	140003009001	Screw, Hexagon Socket Countersunk Head, Black 4X8	2
	M	3-06-0015-01	Assy, Knife Lever	1
	N	3-05-0017-01	Lever, Knife	1
	O	DT0112-001	Shaft, Knife Roller	1
	P	DT0113-001	Roller, Knife Lever	1
	Q	DT0114-001	Bearing, Knife Lever	1
	R	140001001002	Screw, Hexagon Socket Cup Head, Black 3X8	1
	S	140012007901	Lock Washer, Black D3	1
	T	140012012201	Washer, Black D3	1
17015	U	DT0115-001	Spring, Knife Lever	1
	V	130907000902	Magnet	1
	W	140012007901	Lock Washer, Black D3	1