



*Union Special*<sup>®</sup>  
INDUSTRIAL SEWING EQUIPMENT

**STYLES**

**SUPPLEMENT MANUAL**

**63900AM**  
**63900AML**  
**63900AT**  
**63900AW**  
**63900AAE**

---

---

**63900 STREAMLINED HIGH SPEED NEEDLE  
FEED TOP AND BOTTOM ROLLER FEED  
LOCKSTITCH MACHINES**

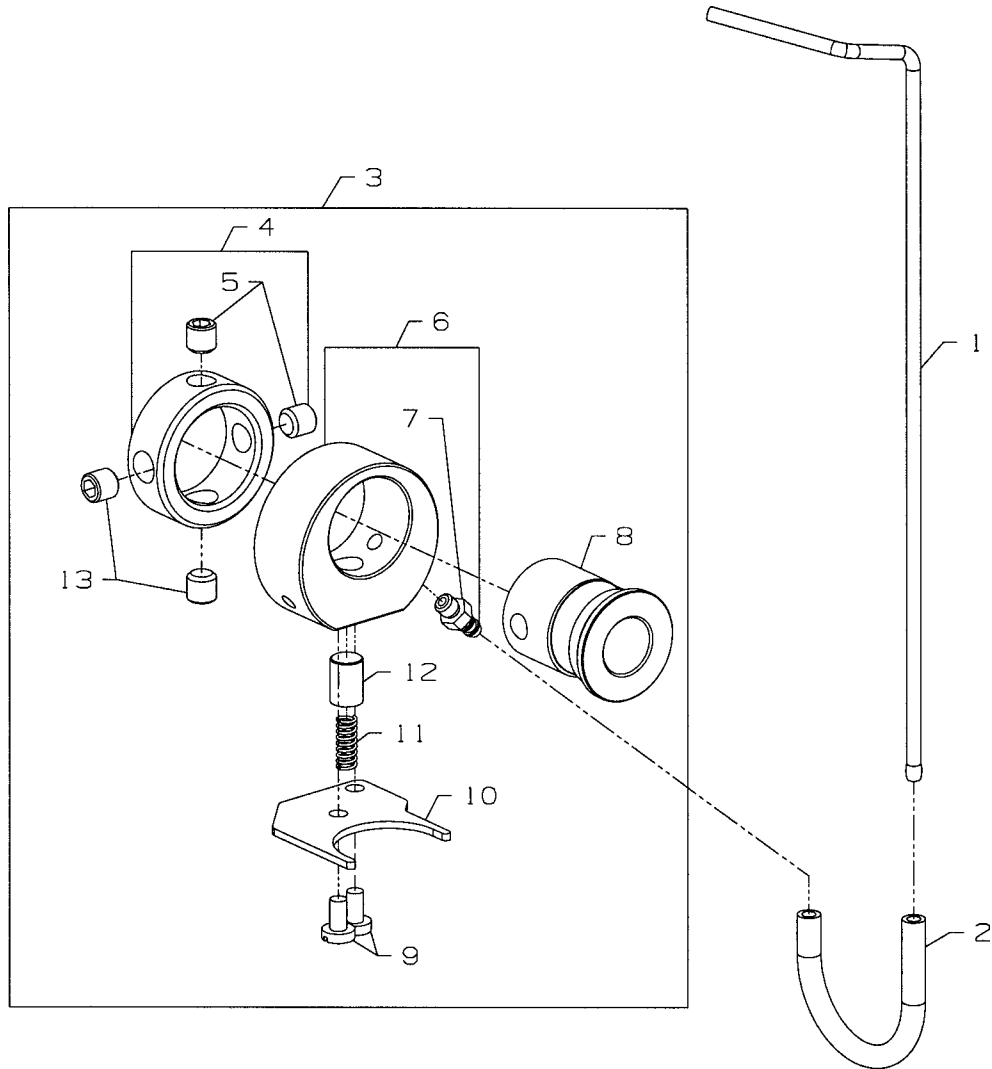
**CATALOG NO.**  
**PT9912**

---

---

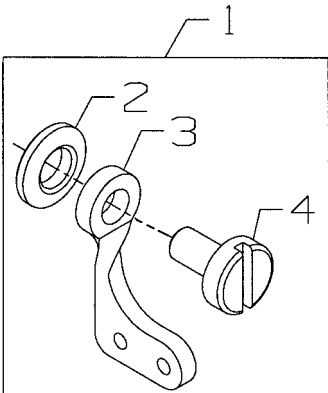
**SUPPLEMENT TO  
CATALOG NO.  
PT9636**

# OIL PUMP ASSEMBLY

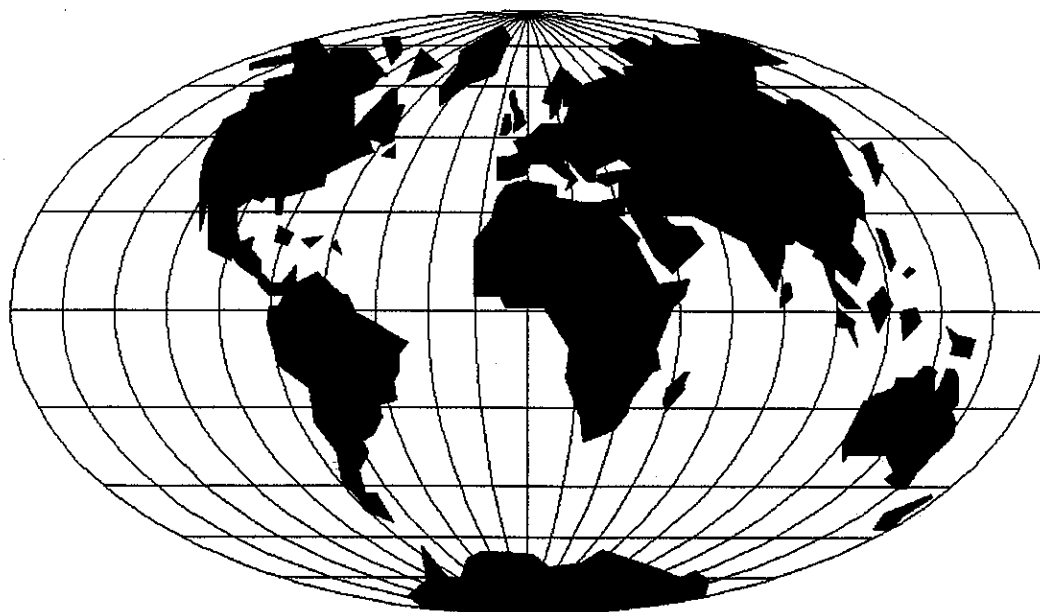


Ref. No.	Part No.	Description	Amt. Req.
1.	63993P	Oil Tube .....	1
2.	50393HV	Oil Tube .....	1
3.	63993J	Oil Pump Assembly .....	1
4.	50393EX	Collar .....	1
5.	18-1242	Screw .....	2
6.	63993K	Housing .....	1
7.	SQ111041MZ	Fitting .....	1
8.	63993L	Bushing .....	1
9.	SS7090710SP	Screw .....	2
10.	63993N	Plate .....	1
11.	50393KE	Spring .....	1
12.	B3534155000	Plunger .....	1
13.	SS8660612TP	Screw .....	2

**NEEDLETHREADEYELETKIT**



Ref. No.	Part No.	Description	Amt. Req.
1.	29480AZR	Needle thread Eyelet Kit .....	1
2.	21695L	Washer .....	1
3.	158B	Eyelet .....	1
4.	98A	Screw .....	1



## WORLDWIDE SALES AND SERVICE

Union Special Corporation maintains sales and service facilities throughout the world. These offices will aid you in the selection of the right sewing equipment for your particular operation. Union Special Corporation representatives and service technicians are factory trained and are able to serve your needs promptly and efficiently. Whatever your location, there is a qualified representative to serve you.

---

Brussels, Belgium  
Charlotte, N.C.  
El Paso, TX  
Hong Kong, China  
Huntley, IL  
Leicester, England  
Lille, France  
Miami, FL  
Milan, Italy  
Möglingen, Germany  
Montreal, Quebec  
Osaka, Japan  
Santa Fe Springs, CA

Other Representatives throughout  
all parts of the world.



*Union Special*  
INDUSTRIAL SEWING EQUIPMENT