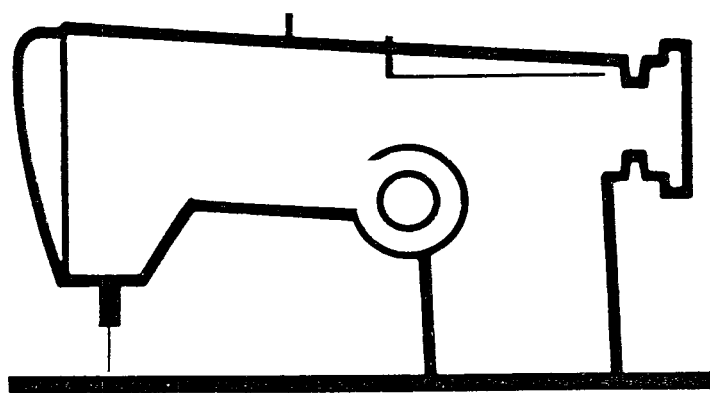


ILLUSTRATED PARTS LIST FOR



SINGER Machines
107 **G 300**
 and **302**

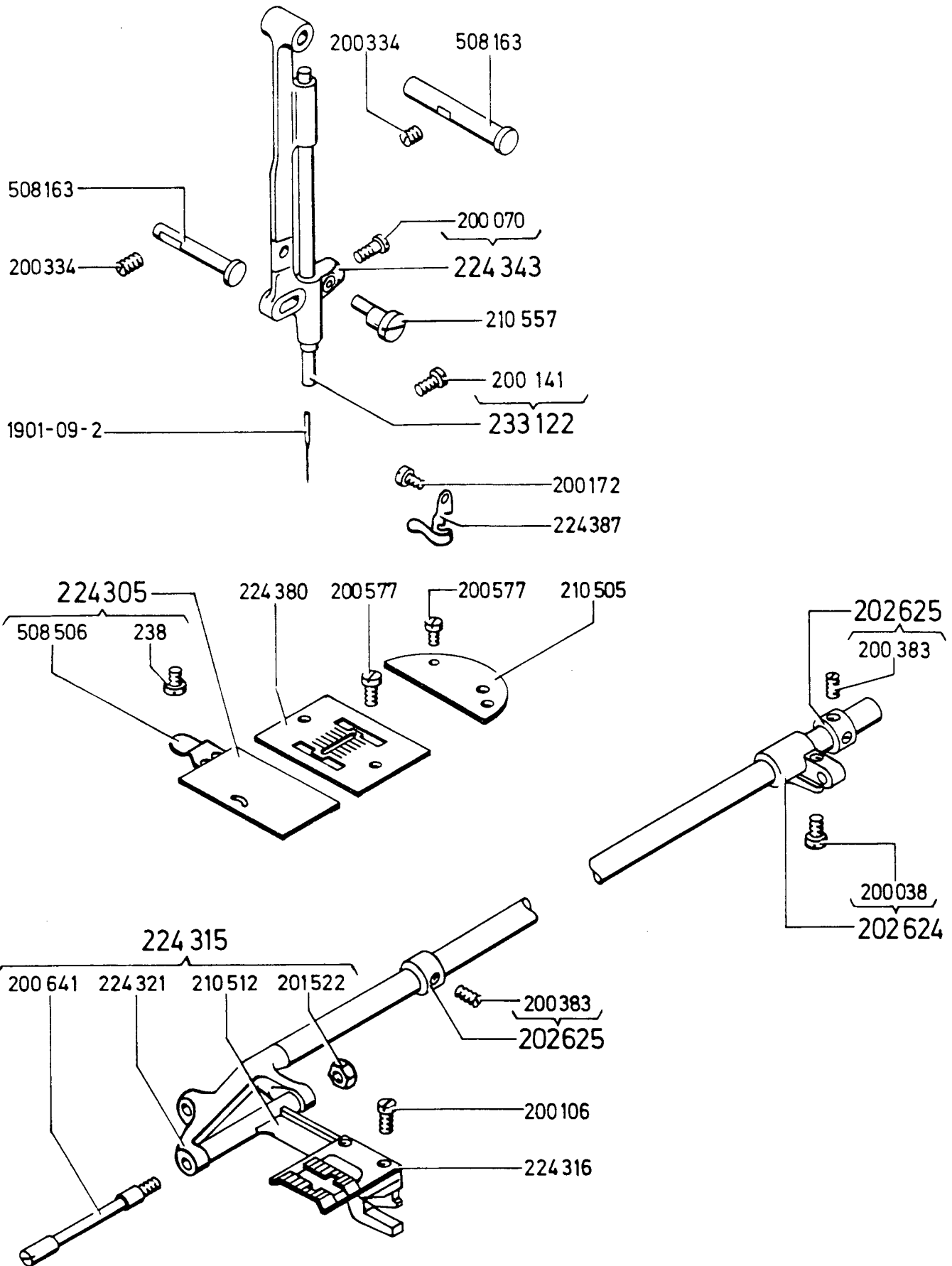
THE SINGER COMPANY

Form 30-361G- 1271/-960

Printed in Western Germany

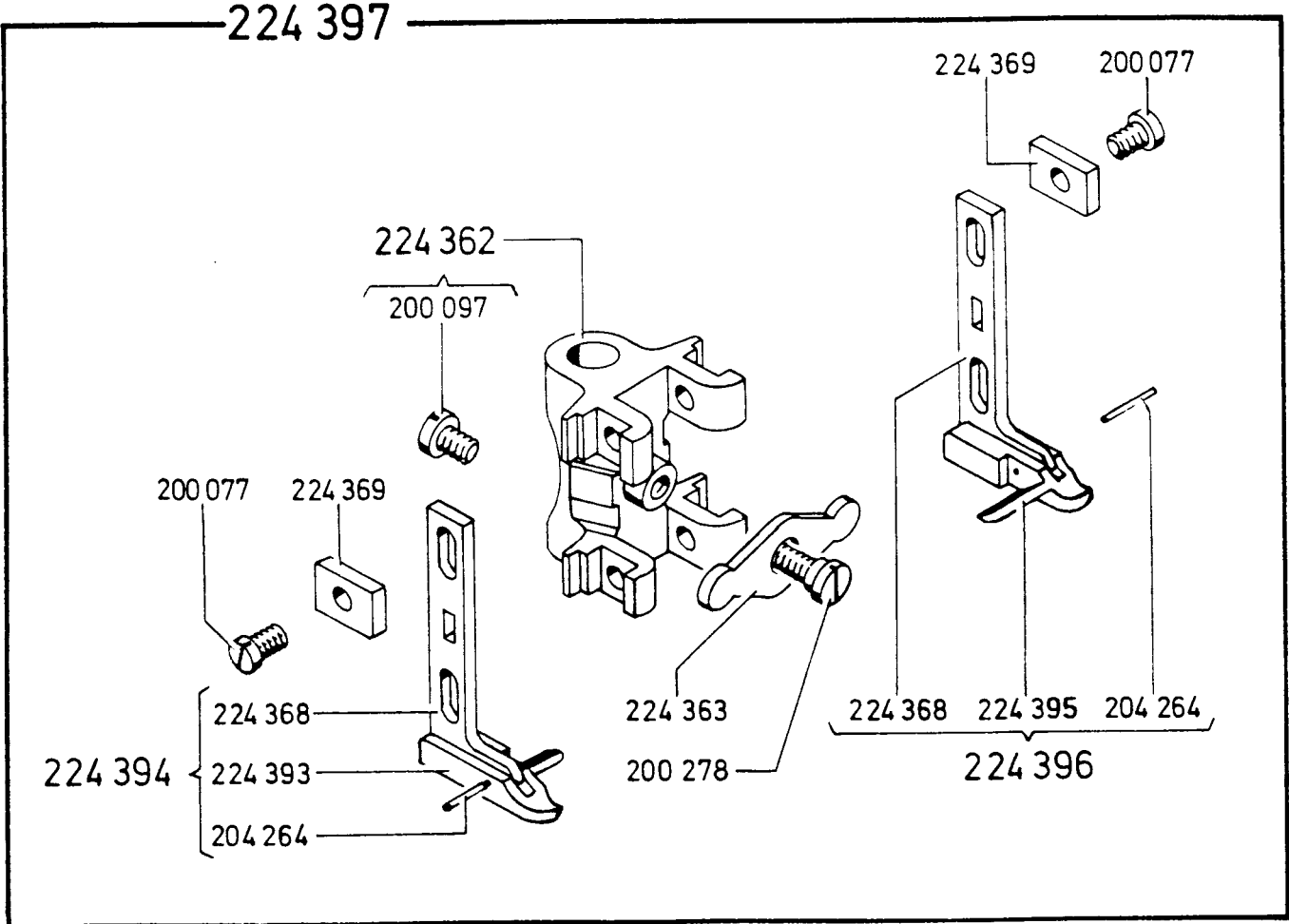
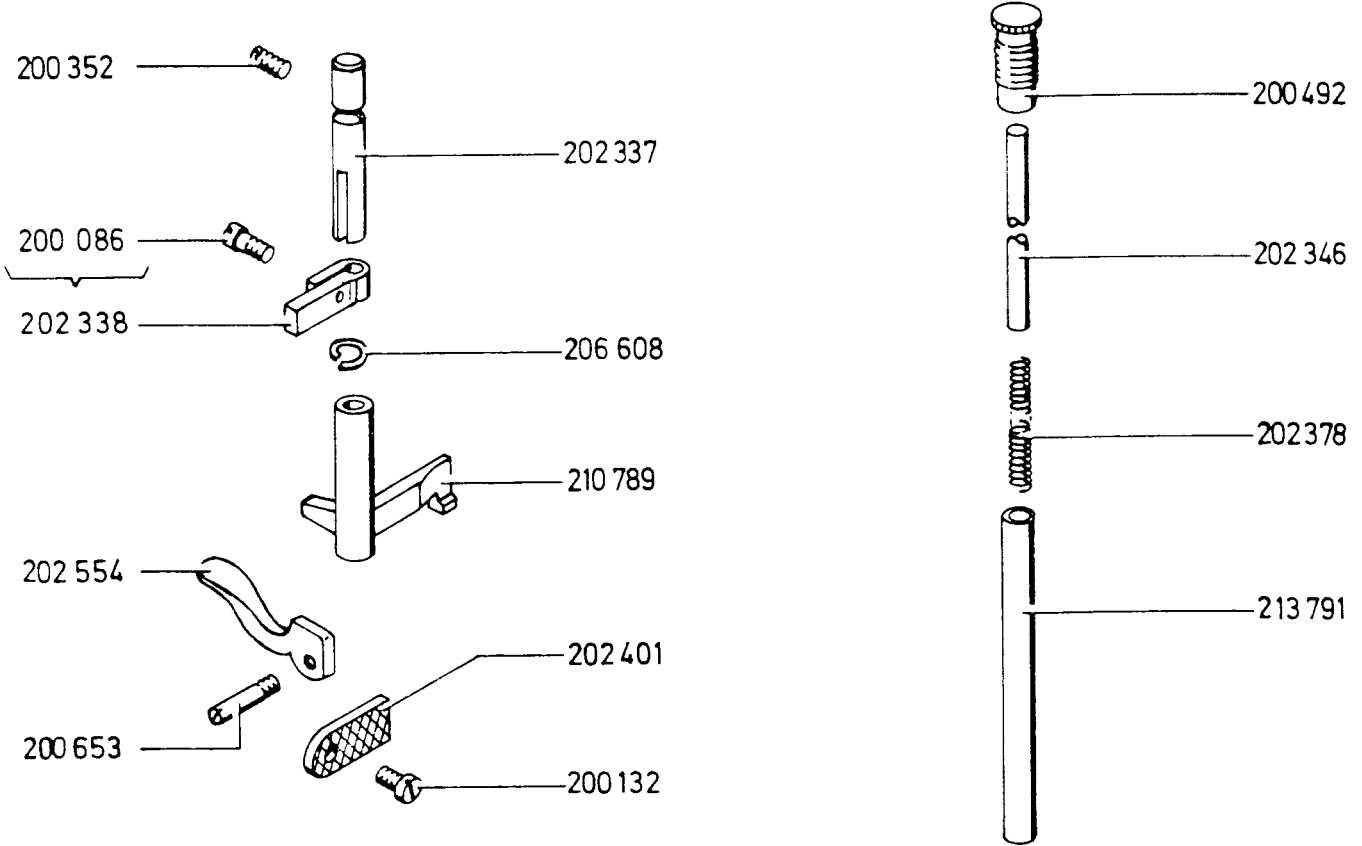
PART NO.	FOR CLASS 107 G		DESCRIPTION
	300	302	
000238-850	x	-	BED SLIDE FRONT SPRING SCREW (2)
001901-09-2	-	x	NEEDLE
001901-14-2	x	-	NEEDLE
200038-850	x	-	FEED DRIVING CONNECTION CRANK PINCH SCREW
200070-850	x	x	NEEDLE BAR FRAME PITMAN ECCENTRIC STUD SET SCREW
200106-833	x	-	FEED DOG SCREW (2)
200141-833	x	x	NEEDLE SET SCREW
200172-850	x	x	THREAD GUIDE SCREW
200175-850	x	x	NEEDLE THREAD GUIDE SCREW
200334-833	x	x	NEEDLE BAR FRAME HINGE AND GUIDE STUD SET SCREW (2)
200383-850	x	x	FEED DRIVING ROCK SHAFT STOP COLLAR SET SCREW (4)
200577-833	x	-	THROAT PLATE SCREW (2)
200577-833	x	-	BED PLATE (BACK) SCREW (2)
200641-803	x	-	FEED BAR HINGE SCREW (DRIVING)
201522-805	x	-	FEED BAR HINGE SCREW (DRIVING) NUT
202624	x	-	FEED DRIVING CONNECTION CRANK WITH 200038
202625	x	x	FEED DRIVING ROCK SHAFT STOP COLLAR (2) WITH EACH TWO 200383
210505	x	-	BED PLATE (BACK)
210512	x	-	FEED BAR
210547	x	x	NEEDLE BAR FRAME GUIDE STUD
210557	x	x	NEEDLE BAR FRAME PITMAN ECCENTRIC STUD
224305	x	-	BED SLIDE (FRONT) CPL. NOS. 508506 AND TWO 238
224315	x	-	FEED BAR WITH 200641, 201522, 210512 AND 224321
224316	x	-	FEED DOG
224321	x	-	FEED DRIVING ROCK SHAFT
224341	x	x	NEEDLE BAR FRAME WITH 200070
224380	x	-	THROAT PLATE
224387	x	x	THREAD GUIDE
233122	x	x	NEEDLE BAR WITH 200141
508163	x	x	NEEDLE BAR FRAME HINGE STUD
508506	x	-	BED SLIDE (FRONT) SPRING

Parts for Machine No. 107 G 300



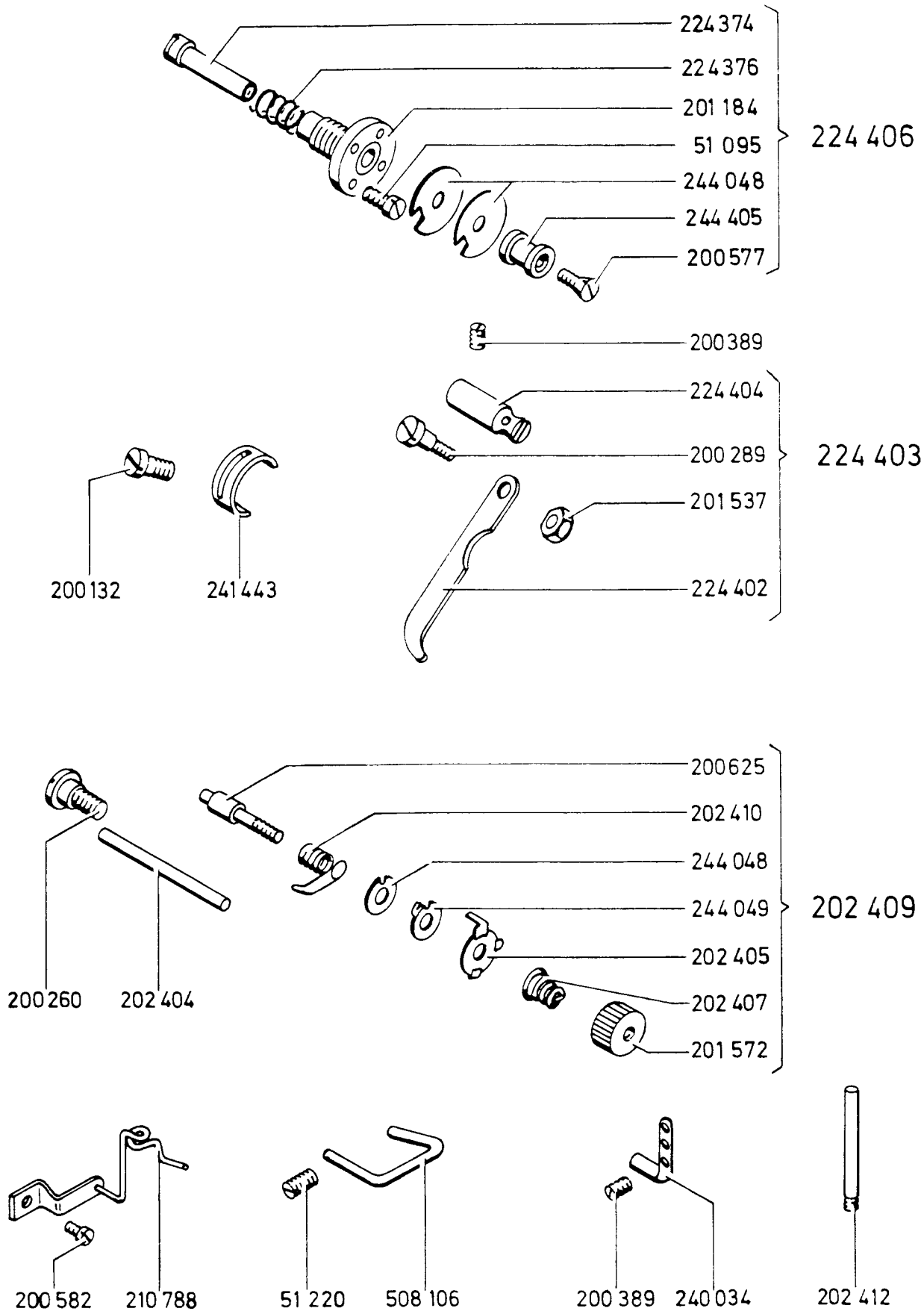
PART NO.	FOR CLASS 107 G		DESCRIPTION
	300	302	
200077-804	x	-	PRESSER FOOT SLIDE PLATE SCREW
200086-833	x	-	PRESSER BAR POSITION GUIDE LEVER PINCH SCREW
200097-803	x	-	PRESSER FOOT BRACKET SCREW
200132-850	x	-	TAKE-UP LEVER OILING FELT SCREW
200278	x	-	PRESSER FOOT HINGE CONNECTION HINGE SCREW
200352-833	x	-	PRESSER BAR POSITION GUIDE SET SCREW
200492-850	x	-	PRESSER BAR THUMB SCREW (PRESSURE REGULATING)
200653-850	x	-	PRESSER BAR LIFTER HINGE SCREW
202337	x	-	PRESSER BAR POSITION GUIDE
202338	x	-	PRESSER BAR POSITION GUIDE LEVER WITH 200686
202346	x	-	PRESSER BAR SPRING STOP ROD
202378	x	-	PRESSER BAR SPRING
202401	x	-	TAKE-UP LEVER OILING FELT
202554	x	-	PRESSER BAR LIFTER
204264	x	-	PRESSER FOOT PLATE HINGE PIN (2)
206608	x	-	PRESSER BAR LIFTING RELEASING LEVER BRACKET SPRING
210789	x	-	PRESSER BAR LIFTING RELEASING LEVER BRACKET
213791	x	-	PRESSER BAR (HOLLOW)
224362	x	-	PRESSER FOOT BRACKET WITH 200097
224363	x	-	PRESSER FOOT HINGE CONNECTION
224368	x	-	PRESSER FOOT SHANK (LEFT AND RIGHT) (2)
224369	x	-	PRESSER FOOT SLIDE PLATE
224393	x	-	PRESSER FOOT PLATE (LEFT)
224394	x	-	PRESSER FOOT PLATE (LEFT) WITH 204264, 224368 AND 224393
224395	x	-	PRESSER FOOT PLATE (RIGHT)
224396	x	-	PRESSER FOOT PLATE (RIGHT) WITH 204264, 224368 AND 224395
224397	x	-	PRESSER FOOT (HINGED) (COMPENSATING) 200278, 224362, 224394, 224396, 224363, FOUR EACH 200077 AND 224369

Parts for Machine No. 107 G 300



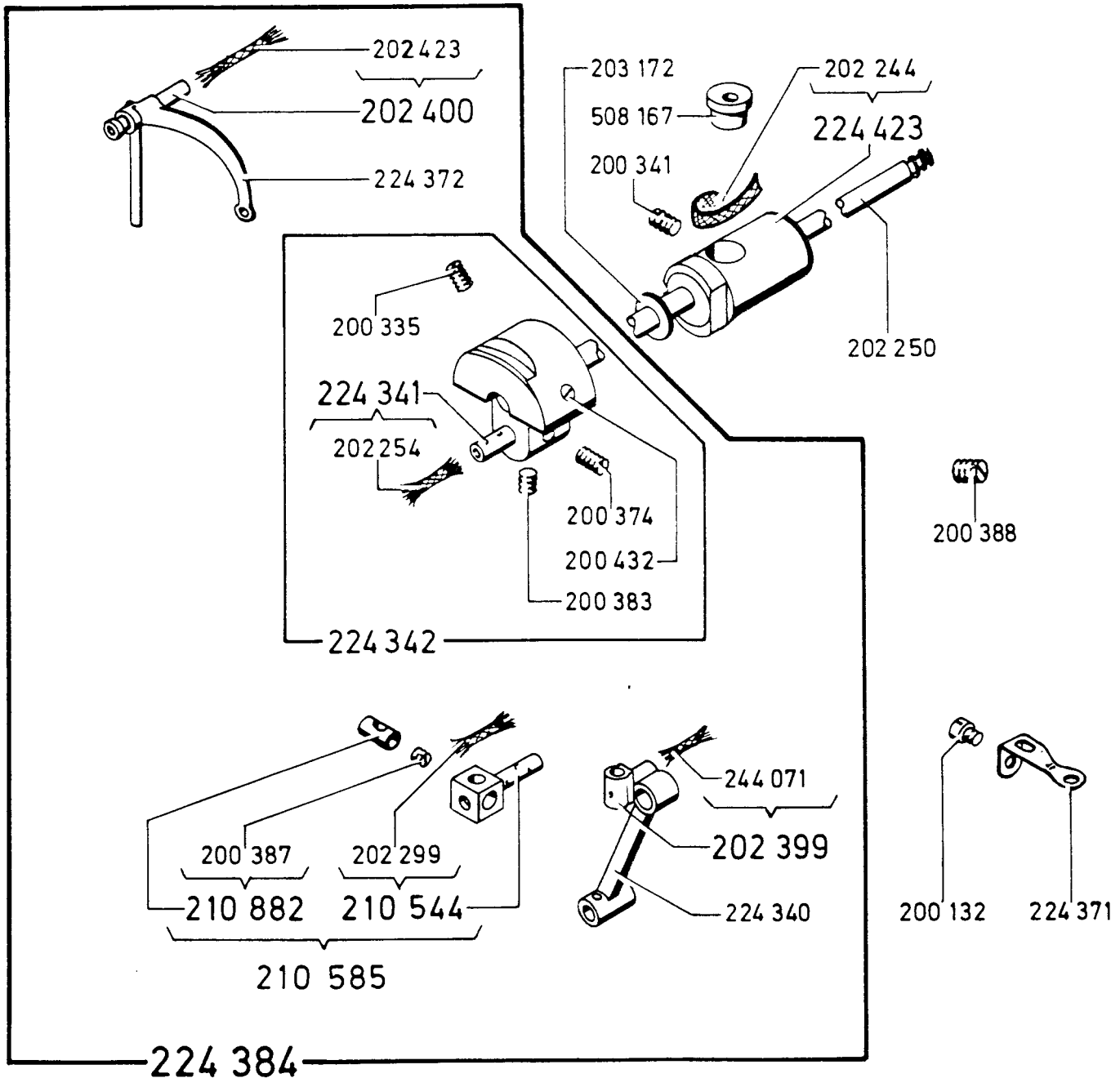
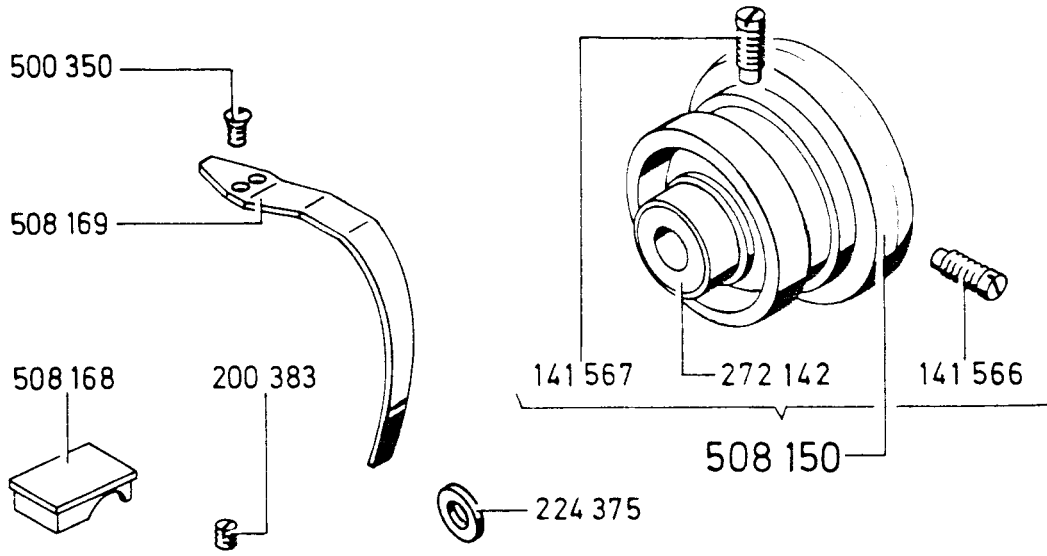
PART NO.	FOR CLASS 107 G		DESCRIPTION
	300	302	
051095-850	x	x	THREAD CONTROLLER BEARING CHECK SCREW AND DISC POSITION SCREW
051220-833	x	x	THREAD RETAINER (UPPER) SCREW
200061-833	x	x	TENSION STUD SET SCREW
200132-850	x	x	THREAD CONTROLLER SPRING STOP SCREW
200260-850	x	-	PRESSER BAR LIFTING RELEASING LEVER BRACKET GUIDE SCREW
200389-850	x	x	THREAD RETAINER SET SCREW
200577-833	x	x	THREAD CONTROLLER DISC CAP SCREW
200582-850	x	x	THREAD GUIDE SCREW
200625-806	x	-	TENSION STUD
201184	x	x	THREAD CONTROLLER BEARING SCREW
201572	x	-	TENSION THUMB NUT
202404	x	x	TENSION RELEASE PLUNGER
202405	x	-	TENSION RELEASE WASHER
202407	x	-	TENSION SPRING
202409	x	-	TENSION CPL. NOS. 200625, 201572, 202405, 202407, 202410, 244048 AND 244049
202410	x	-	THREAD CONTROLLER SPRING
202412	x	x	THREAD GUIDE (UPPER)
210788	x	x	THREAD GUIDE (LOWER)
224374	x	x	THREAD CONTROLLER RELEASING PLUNGER
224376	x	x	THREAD CONTROLLER RELEASING PLUNGER SPRING
224405	x	x	THREAD CONTROLLER DISC CAP
224406	x	x	THREAD CONTROLLER CPL. NOS. 51095, 200577, 201184, 201637, 224373, 224374, 224376, 224405 AND 244048
240034	x	x	THREAD RETAINER
241443	x	x	THREAD CONTROLLER SPRING STOP
244048	x	x	THREAD CONTROLLER DISC (2)
244048	x	-	TENSION DISC (BACK)
244049	x	-	TENSION DISC (FRONT)
508166	x	x	THREAD GUIDE (UPPER)

Parts for Machine No. 107 G 300



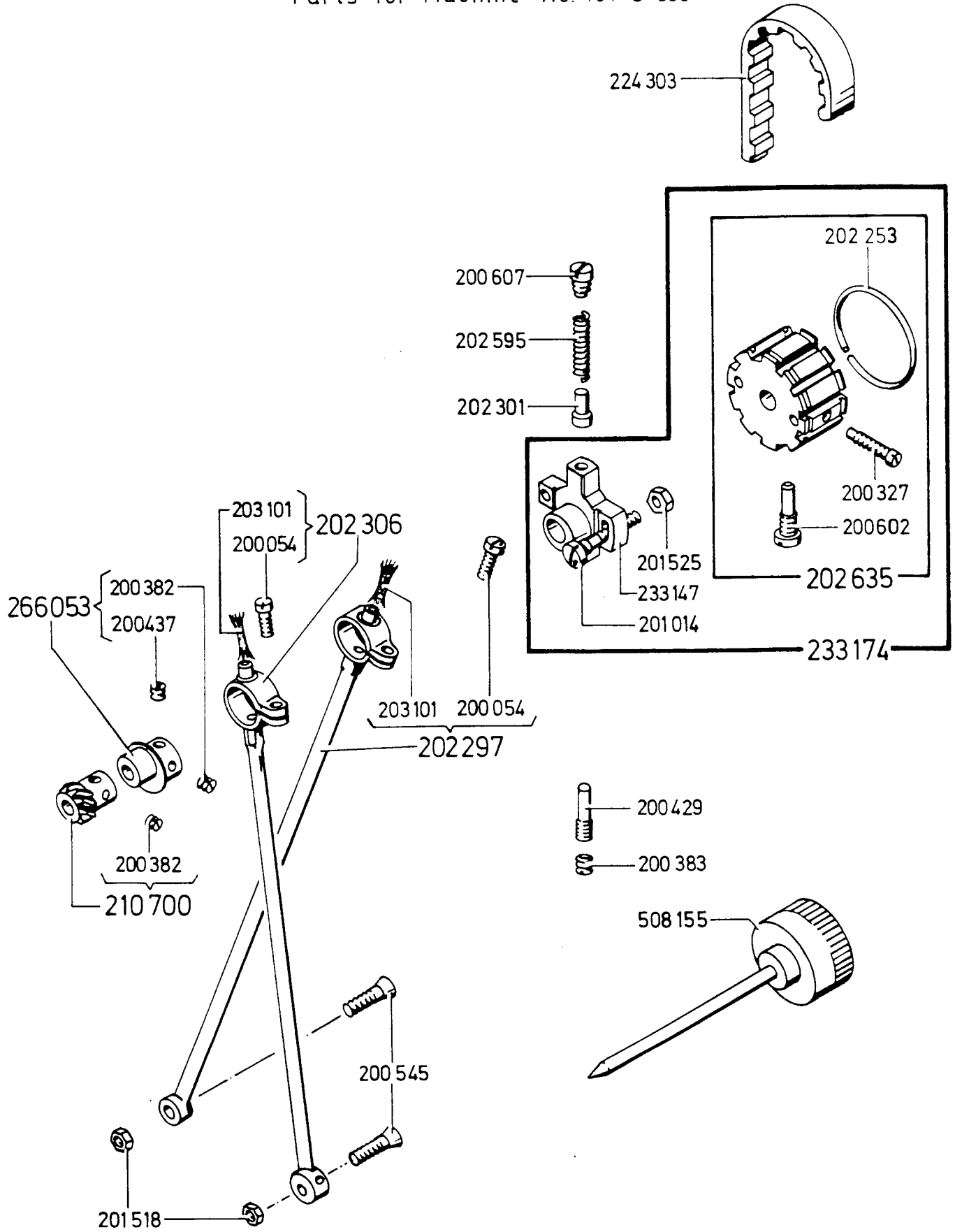
PART NO.	FOR CLASS 107 G		DESCRIPTION
	300	302	
141566-833	x	x	MACHINE PULLEY POSITION SCREW
141567	x	x	MACHINE PULLEY SET SCREW
200132-850	x	x	TAKE-UP (AUXILLIARY) SCREW
200335-850	x	x	NEEDLE BAR CRANK SET SCREW
200341-850	x	x	ARM SHAFT BUSHING (FRONT) SET SCREW
200374	x	x	NEEDLE BAR CONNECTING LINK STUD SET SCREW
200383-850	x	x	NEEDLE BAR CONNECTING LINK STUD SET SCREW
200383-850	x	x	TAKE-UP LEVER HINGE STUD SET SCREW
200387-833	x	x	NEEDLE BAR SET SCREW
200388-850	x	x	NEEDLE BAR CRANK LOCK SCREW
200432	x	x	NEEDLE BAR CRANK POSITION SCREW
202244	x	x	ARM SHAFT BUSHING (FRONT) OIL PACKING (WICK)
202250	x	-	ARM SHAFT WITH 224392 AND 350431
202254	x	x	NEEDLE BAR CONNECTING LINK OIL PACKING (WICK)
202299	x	x	NEEDLE BAR CONNECTING STUD OIL PACKING (WICK)
202399	x	x	TAKE-UP LEVER DRIVING STUD WITH 244071
202400	x	x	TAKE-UP LEVER HINGE STUD WITH 202423
202423	x	x	TAKE-UP LEVER HINGE STUD OIL PACKING (WICK)
203172	x	x	NEEDLE VIBRATOR GEAR THRUST WASHER
210544	x	x	NEEDLE BAR CONNECTING STUD WITH 202299
210585	x	x	NEEDLE BAR CONNECTING STUD CPL. NOS. 210544 AND 210882
210882	x	x	NEEDLE BAR CONNECTING STUD SWIVEL WITH 200387
224340	x	x	NEEDLE BAR CONNECTING LINK
224341	x	x	NEEDLE BAR CONNECTING LINK STUD WITH 202254
224342	x	x	NEEDLE BAR CRANK CPL. NOS. 200335, 200383, 200432, 200374, 224341 AND 224342
224371	x	x	TAKE-UP (AUXILLIARY)
224372	x	x	TAKE-UP LEVER
224375	x	x	THREAD CONTROLLER RELEASING PLUNGER ROLLER
224384	x	x	NEEDLE BAR CRANK CPL. NOS. 224342, 224340, 202399, 224372, 202400 AND 210585
224423	x	x	ARM SHAFT BUSHING (FRONT)
244071	x	x	TAKE-UP DRIVING STUD OIL PACKING (WICK)
272142	x	x	ARM SHAFT BALL BEARING (BACK) (DOUBLE SHIELDED)
500350-850	x	x	TAKE-UP LEVER GUARD SCREW (2)
508150	x	x	MACHINE PULLEY CPL. NOS. 141566, 141567 AND 272142
508167	x	x	ARM SHAFT BUSHING (FRONT) OIL PACKING PLUG
508168	x	x	NEEDLE BAR FRAME CAP
508169	x	x	TAKE-UP LEVER GUARD

Parts for Machine No. 107 G 300



PART NO.	FOR CLASS 107 G		DESCRIPTION
	300	302	
200054-850	x	-	FEED LIFTING CONNECTION PINCH SCREW
200054-850	x	-	FEED DRIVING CONNECTION PINCH SCREW
200327-833	x	-	ARM SHAFT CONNECTION BELT PULLEY SET SCREW
200382-833	x	x	NEEDLE VIBRATOR PINION SPIRAL SET SCREW (2)
200382-833	x	-	FEED LIFTING CONNECTION ECCENTRIC SET SCREW
200383-850	x	-	FEED DRIVING ECCENTRIC REGULATING SCREW CHECK SCREW
200429-850	x	-	FEED DRIVING ECCENTRIC REGULATING SCREW
200437-850	x	-	FEED LIFTING CONNECTION ECCENTRIC POSITION SCREW
200545-850	x	-	FEED DRIVING AND LIFTING CONNECTION HINGE SCREW (2)
200602-850	x	-	ARM SHAFT CONNECTION BELT PULLEY POSITION SCREW
200607-850	x	-	FEED DRIVING ECCENTRIC REGULATING BRACKET PLUNGER SPRING STOP SCREW
201014-850	x	-	FEED DRIVING ECCENTRIC REGULATING STUD AND HINGE SCREW (2)
201518 805	x	-	FEED DRIVING CONNECTION HINGE SCREW NUT
201525-805	x	-	FEED DRIVING ECCENTRIC REGULATING BRACKET STOP SCREW AND HINGE SCREW NUT (2)
202253	x	-	ARM SHAFT CONNECTION BELT PULLEY SPRING FLANGE (2)
202297	x	-	FEED DRIVING CONNECTION WITH 200054 AND 203101
202301	x	-	FEED DRIVING ECCENTRIC REGULATING BRACKET PLUNGER
202306	x	-	FEED LIFTING CONNECTION WITH 200054 AND 203101
202595	x	-	FEED DRIVING ECCENTRIC REGULATING BRACKET PLUNGER SPRING
202635	x	-	ARM SHAFT CONNECTION BELT PULLEY WITH 200602, 200327 AND TWO 202253
203101	x	-	FEED LIFTING CONNECTION OIL PACKING (WICK)
203101	x	-	FEED DRIVING CONNECTION OIL PACKING (WICK)
210700	x	x	NEEDLE VIBRATOR PINION (SPIRAL) WITH TWO 200382
224303	x	x	ARM SHAFT CONNECTION BELT (REINFORCED NEOPRENE)
233147	x	-	FEED DRIVING ECCENTRIC REGULATING BRACKET
233174	x	-	FEED DRIVING ECCENTRIC REGULATING BRACKET CPL. NOS. TWO 201014, TWO 201525, 202635 AND 233147
266053	x	-	FEED LIFTING CONNECTION ECCENTRIC WITH 200382 AND 200437
508155	x	-	FEED REGULATING SPINDLE

Parts for Machine No. 107 G 300

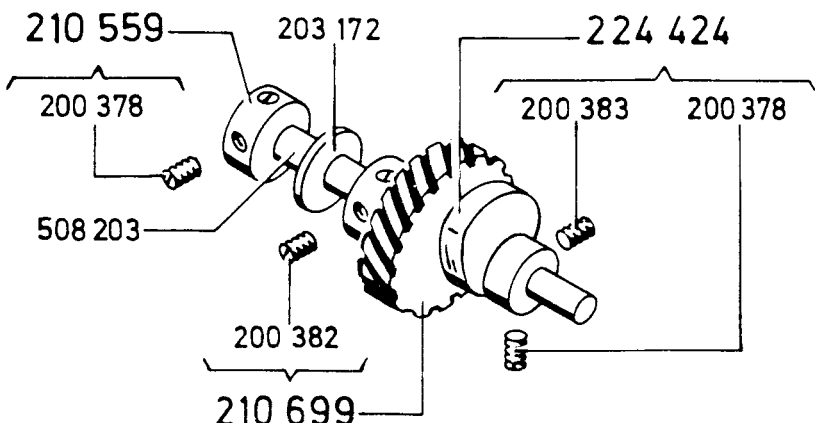
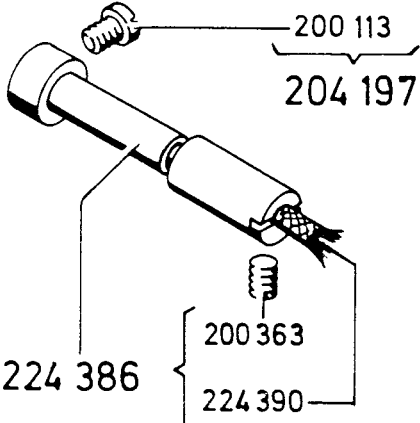
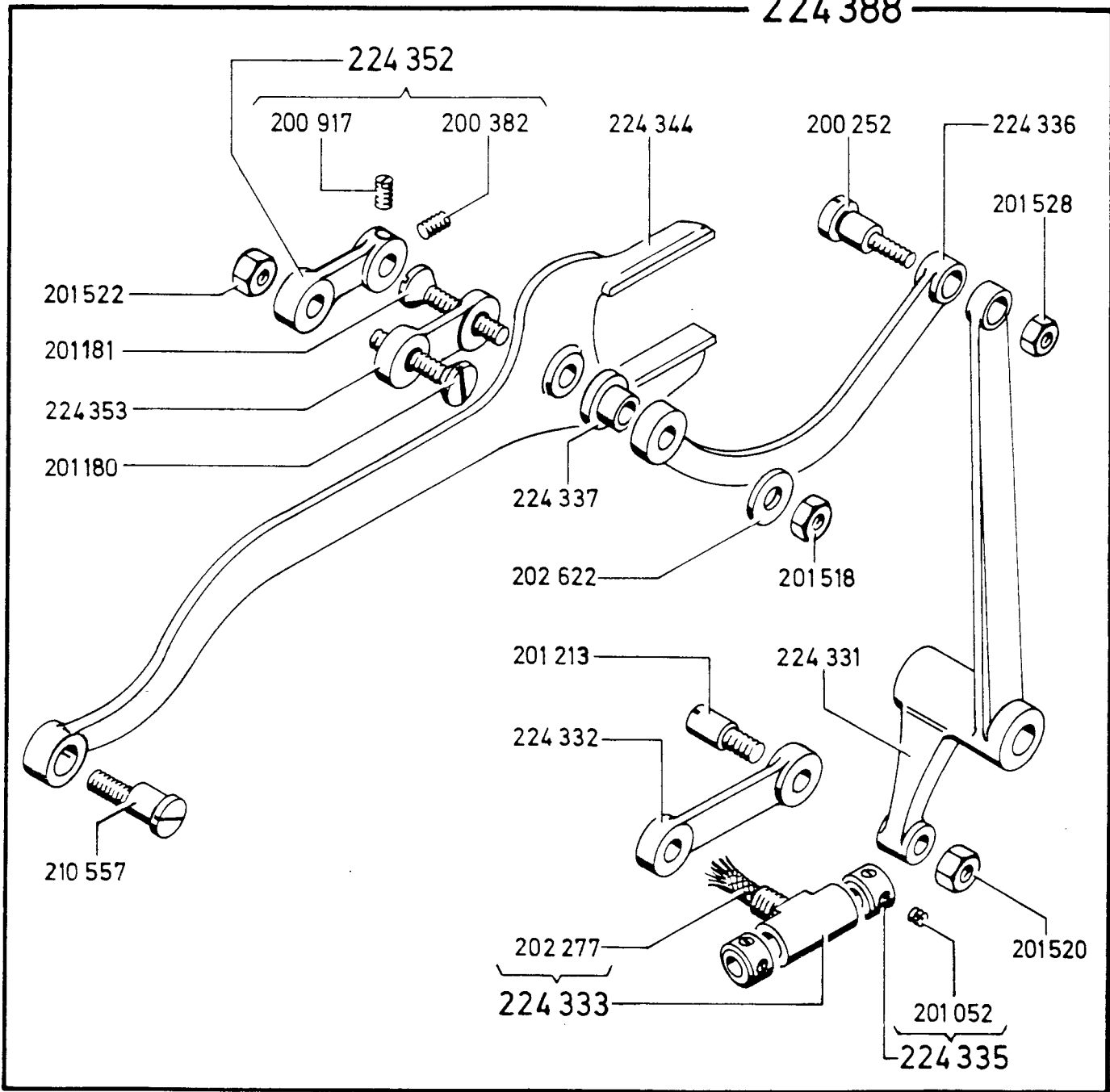


PART NO.	FOR CLASS 107 G		DESCRIPTION
	300	302	
	x	x	HOOK TIMING LEVER SHAFT COLLAR SET SCREW
200252-803	x	x	HOOK TIMING LEVER DRIVING ARM HINGE SCREW
200363-833	x	x	HOOK TIMING LEVER SHAFT SET SCREW
200378 850	x	x	NEEDLE VIBRATOR CAM SET SCREW
200378 850	x	x	NEEDLE VIBRATOR CAM SHAFT COLLAR SET SCREW (2)
200382-833	x	x	NEEDLE VIBRATOR GEAR SET SCREW
200382-833	x	x	NEEDLE VIBRATOR CRANK SET SCREW
200383-850	x	x	NEEDLE VIBRATOR CAM SET SCREW
200917-803	x	x	NEEDLE VIBRATOR CRANK POSITION SCREW
201652-833	x	x	HOOK TIMING LEVER CONNECTING SWIVEL STOP COLLAR SET SCREW (4)
201180-803	x	x	NEEDLE VIBRATOR CRANK LINK HINGE SCREW (LOWER)
201181-803	x	x	NEEDLE VIBRATOR CRANK LINK HINGE SCREW (UPPER)
201213-803	x	x	HOOK TIMING LEVER CONNECTING HINGE SCREW STUD
201518-805	x	x	NEEDLE VIBRATOR CRANK LINK HINGE SCREW (UPPER) NUT
201518-805	x	x	NEEDLE VIBRATOR CRANK LINK HINGE SCREW (UPPER) NUT
201520-803	x	x	HOOK TIMING LEVER CONNECTING LINK HINGE SCREW STUD NUT
201522-805	x	x	NEEDLE VIBRATOR CRANK LINK HINGE SCREW (LOWER) NUT
201528-806	x	x	TIMING LEVER DRIVING ARM HINGE SCREW NUT
202277	x	x	HOOK TIMING LEVER CONNECTING SWIVEL OIL PACKING (WICK)
202622	x	x	HOOK TIMING LEVER DRIVING ARM WASHER
203172	x	x	NEEDLE VIBRATOR GEAR THRUST WASHER
204197	x	x	HOOK TIMING LEVER SHAFT COLLAR WITH 200113
210557	x	x	NEEDLE BAR FRAME PITMAN ECCENTRIC STUD
210559	x	x	NEEDLE VIBRATOR CAM SHAFT COLLAR WITH TWO 200378
210699	x	x	NEEDLE VIBRATOR GEAR (SPIRAL) WITH TWO 200382
224331	x	x	HOOK TIMING LEVER
224331	x	x	HOOK TIMING LEVER
224332	x	x	HOOK TIMING LEVER CONNECTING LINK

PART NO.	FOR CLASS 107 G		DESCRIPTION
	300	302	
224333	x	x	HOOK TIMING WITH 202277
224335	x	x	HOOK TIMING LEVER CONNECTING SWIVEL STOP COLLAR (2) WITH EACH TWO 201052
224336	x	x	HOOK TIMING LEVER DRIVING ARM
224337	x	x	HOOK TIMING LEVER DRIVING ARM BEARING
224344	x	x	NEEDLE BAR FRAME PITMAN
224352	x	x	NEEDLE VIBRATOR CRANK WITH 200382 AND 200917
224353	x	x	NEEDLE VIBRATOR CRANK LINK
224386	x	x	HOOK TIMING LEVER SHAFT WITH 224390
224388	x	x	HOOK TIMING LEVER AND NEEDLE BAR FRAME PITMAN CPL. NOS. 200252, 201180, 201181, 201213, 201518, 201520, 201522, 202622, 201528, 224331, 224332, 224333, 224336, 224337, 224344, 224352 AND 224353
224390	x	x	HOOK TIMING LEVER SHAFT OIL PACKING (WICK)
224424	x	x	NEEDLE VIBRATOR CAM CPL. NOS. 200378 AND 200383
508203	x	x	NEEDLE VIBRATOR CAM SHAFT

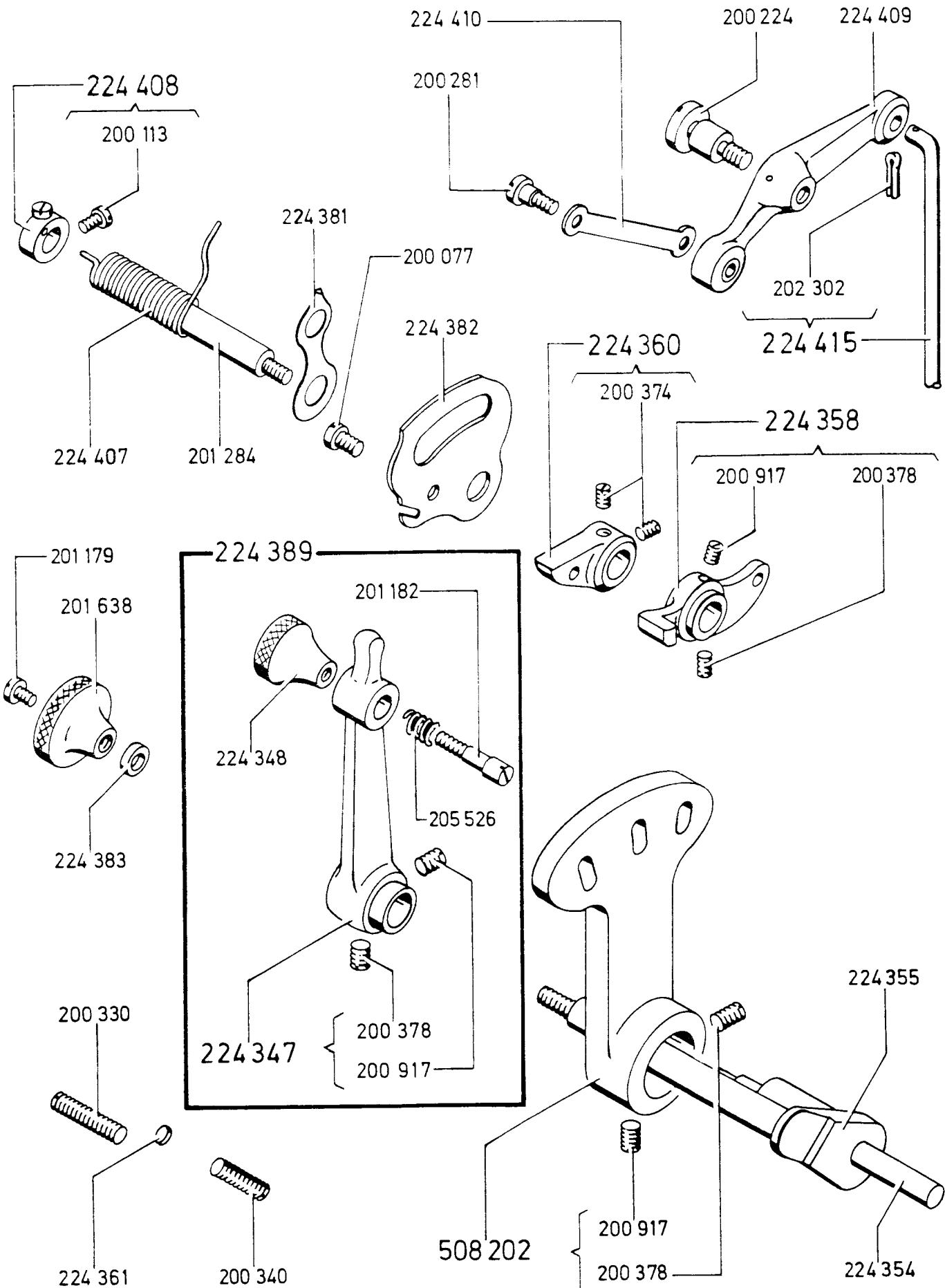
Parts for Machine No. 107 G 300

224 388



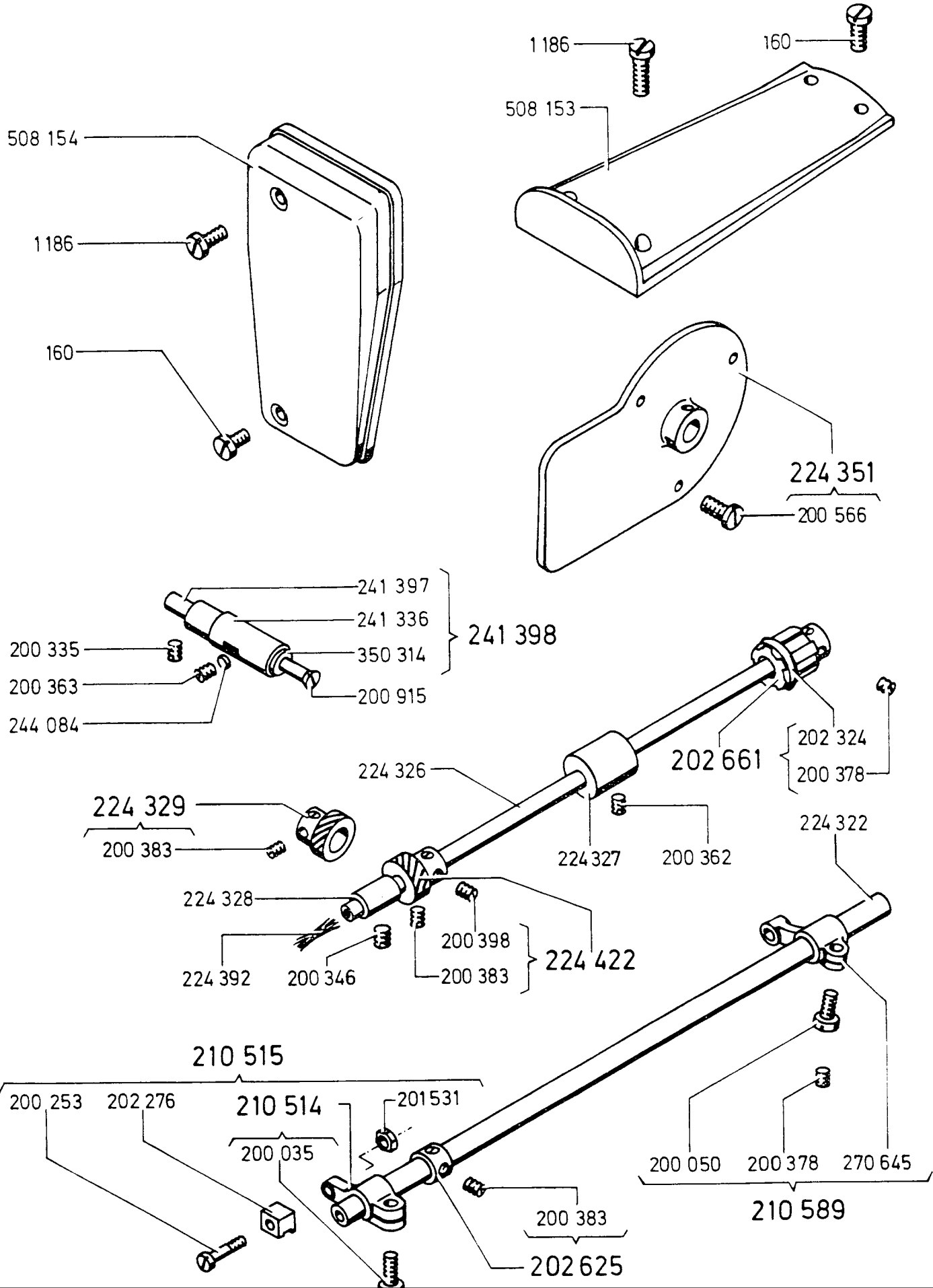
PART NO.	FOR CLASS 107 G		DESCRIPTION
	300	302	
200077 804	x	x	NEEDLE VIBRATOR STOP SEGMENT SCREW
200113-850	x	x	NEEDLE VIBRATOR SPRING SCREW STUD COLLAR SET SCREW
200224-803	x	x	NEEDLE VIBRATOR OPERATING BELL CRANK HINGE SCREW
200281-804	x	x	NEEDLE VIBRATOR OPERATING BELL CRANK LINK HINGE SCREW
200330-803	x	x	NEEDLE VIBRATOR STOP SCREW (3)
200340-833	x	x	NEEDLE VIBRATOR STOP SCREW SET SCREW (3)
200374-833	x	x	NEEDLE VIBRATOR STOP BRACKET SET SCREW
200378-850	x	x	NEEDLE BAR POSITION LEVER SET SCREW
200378-850	x	x	NEEDLE BAR POSITION BRACKET SET SCREW
200378-850	x	x	NEEDLE VIBRATOR OPERATING LEVER POSITION SCREW
200917-803	x	x	NEEDLE BAR POSITION LEVER POSITION SCREW
200917-803	x	x	NEEDLE BAR POSITION BRACKET POSITION SCREW
200917-803	x	x	NEEDLE VIBRATOR OPERATING LEVER SET SCREW
201179-805	x	x	NEEDLE VIBRATOR STOP SEGMENT LOCKING NUT CHECK SCREW
201182-805	x	x	NEEDLE BAR POSITION LEVER LOCKING SCREW STUD
201284-	x	x	NEEDLE VIBRATOR SPRING SCREW STUD
201638-804	x	x	NEEDLE VIBRATOR STOP SEGMENT LOCKING NUT
202302	x	x	NEEDLE VIBRATOR OPERATING ROD COTTER PIN
205526	x	x	NEEDLE BAR POSITION LEVER LOCKING SCREW STUD SPRING
224347	x	x	NEEDLE BAR POSITION LEVER WITH 200378 AND 200917
224348	x	x	NEEDLE BAR POSITION LEVER LOCKING SCREW STUD CAP
224354	x	x	NEEDLE VIBRATOR CRANK SHAFT
224355	x	x	NEEDLE VIBRATOR CRANK SHAFT AND NEEDLE BAR POSITION LEVER CONNECTION
224358	x	x	NEEDLE VIBRATOR OPERATING LEVER WITH 200378 AND 200917
224360	x	x	NEEDLE VIBRATOR STOP BRACKET WITH TWO 200374
224361	x	x	NEEDLE VIBRATOR STOP SCREW SET SCREW PACKING (BRASS) (3)
224381	x	x	NEEDLE VIBRATOR STOP INDEX FINGER
224382	x	x	NEEDLE VIBRATOR STOP SEGMENT
224383	x	x	NEEDLE VIBRATOR SEGMENT LOCKING NUT WASHER
224389	x	x	NEEDLE BAR POSITION LEVER CPL. NOS. 201182, 205526, 224347 AND 224348
224407	x	x	NEEDLE VIBRATOR SPRING
224408	x	x	NEEDLE VIBRATOR SPRING SCREW STUD COLLAR WITH 200113
224409	x	x	NEEDLE VIBRATOR OPERATING BELL CRANK
224410	x	x	NEEDLE VIBRATOR OPERATING BELL CRANK LINK
224415	x	x	NEEDLE VIBRATOR OPERATION ROD WITH 202302
508202	x	x	NEEDLE BAR POSITION BRACKET WITH 200378 AND 200917

Parts for Machine No. 107 G 300



FOR CLASS 107 G			
PART NO.	300	302	DESCRIPTION
000160-850	x	x	ARM COVER (TOP) SCREW (2)
000160-850	x	x	FACE PLATE SCREW
001186-850	x	x	ARM COVER (TOP) SCREW (2)
001186-850	x	x	FACE PLATE SCREW
200035-850	x	-	FEED BAR SLIDE BLOCK CRANK PINCH SCREW
200050-850	x	-	FEED LIFTING CONNECTION CRANK PINCH SCREW
200253-850	x	-	FEED BAR SLIDE BLOCK HINGE SCREW
200335-850	x	x	HOOK SHAFT BUSHING SET SCREW PACKING (FIBRE)
200346-803	x	x	HOOK DRIVING GEAR SHAFT BUSHING (FRONT) SET SCREW
200362-803	x	x	HOOK DRIVING GEAR SHAFT BUSHING (BACK) SET SCREW
200363-833	x	x	HOOK SHAFT BUSHING SET SCREW
200378-850	x	x	FEED LIFTING CONNECTION CRANK SET SCREW
200378-850	x	x	HOOK DRIVING GEAR SHAFT BELT PULLEY SET SCREW (2)
200383-850	x	x	HOOK DRIVING GEAR SET SCREW
200383-850	x	x	HOOK GEAR SET SCREW
200398-803	x	x	HOOK DRIVING GEAR POSITION SCREW
200566-850	x	x	NEEDLE VIBRATOR CAM SHAFT BEARING AND COVER SCREW (3)
200915-850	x	x	HOOK POSITION SCREW
201531-805	x	-	FEED BAR SLIDE BLOCK HINGE SCREW
202276	x	-	FEED BAR SLIDE BLOCK
202324	x	x	HOOK DRIVING GEAR SHAFT BELT PULLEY SPRING FLANGE
202661	x	x	HOOK DRIVING GEAR SHAFT BELT PULLEY CPL. NOS. 202661, 202324 AND TWO 200378
210514	x	-	FEED BAR SLIDE BLOCK CRANK WITH 200035
210515	x	-	FEED BAR SLIDE BLOCK CRANK CPL. NOS. 200253, 201531, 202276 AND 210514
210589	x	-	FEED LIFTING CONNECTION CRANK CPL. NOS. 200050, 200378 AND 210645
210645	x	-	FEED LIFTING CONNECTION CRANK
224322	x	-	FEED LIFTING ROCK SHAFT
224326	x	x	HOOK DRIVING GEAR SHAFT
224327	x	x	HOOK DRIVING GEAR SHAFT BUSHING (BACK)
224328	x	x	HOOK DRIVING GEAR SHAFT BUSHING (FRONT)
224329	x	x	HOOK GEAR (SPIRAL) WITH TWO 200383
224351	x	x	NEEDLE VIBRATOR CAM SHAFT BEARING AND COVER
224392	x	x	HOOK SHAFT BUSHING OIL PACKING (WICK)
224422	x	x	HOOK DRIVING GEAR (SPIRAL) WITH 200383 AND 200398
241336	x	x	HOOK SHAFT BUSHING
241397	x	x	HOOK SHAFT (HOLLOW)
241398	x	x	HOOK SHAFT BUSHING WITH 241336, 241397 AND 350314
244084	x	x	HOOK SHAFT BUSHING
350314-850	x	x	HOOK SHAFT POSITION SCREW
508153	x	x	ARM COVER (TOP)
508154	x	x	FACE PLATE

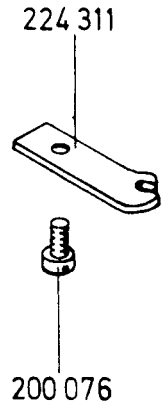
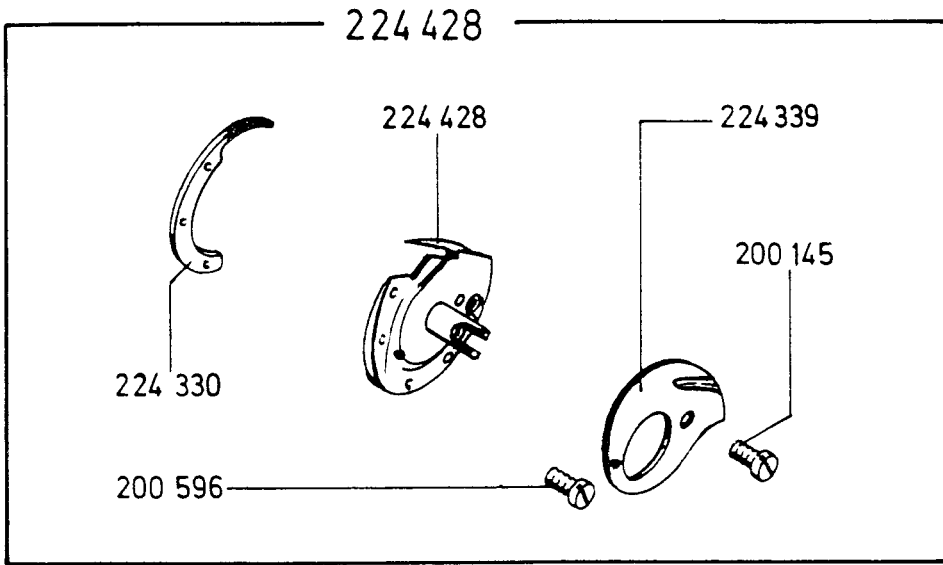
Parts for Machine No. 107 G 300



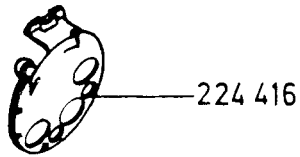
PART NO.	FOR CLASS 107 G		DESCRIPTION
	300	302	
200076-850	x	x	BOBBIN CASE STOP SCREW
200145-850	x	x	HOOK WASHER NEEDLE GUARD SCREW
200596-850	x	x	HOOK GIB SCREW (3)
200598-803	x	x	BOBBIN CASE TENSION SPRING SCREW
200964-833	x	x	BOBBIN CASE LATCH STOP SCREW
201016-850	x	x	BOBBIN CASE TENSION SPRING REGULATING SCREW
210734	x	x	BOBBIN CASE LATCH LEVER
210735	x	x	BOBBIN CASE LATCH FULCRUM PIN
210736	x	x	BOBBIN CASE LATCH SPRING
210913	x	x	BOBBIN CASE LATCH
210914	x	x	BOBBIN CASE LATCH CPL. NOS. 210734, 210735 AND 210913
224311	x	x	BOBBIN CASE STOP
224325	x	x	HOOK AND BOBBIN CASE CPL. NOS. 224419 AND 224428
224330	x	x	HOOK GIB
224339	x	x	HOOK WASHER NEEDLE GUARD
224416	x	x	BOBBIN CASE BASE
224417	x	x	BOBBIN CASE CAP WITH 200598, 201016 AND 224421
224418	x	x	BOBBIN CASE CAP CPL. NOS 200964, 210736, 210914 AND 224417
224419	x	x	BOBBIN CASE CPL. NOS. 224416 AND 224418
224421	x	x	BOBBIN CASE TENSION SPRING
224427	x	x	HOOK (SEWING)
224428	x	x	HOOK CPL. NOS. 224427, 224330, 224339, 200845,- 203101 AND THREE 200596
263099	x	x	BOBBIN

Parts for Machine No. 107 G 300

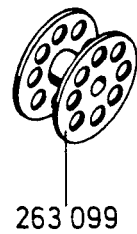
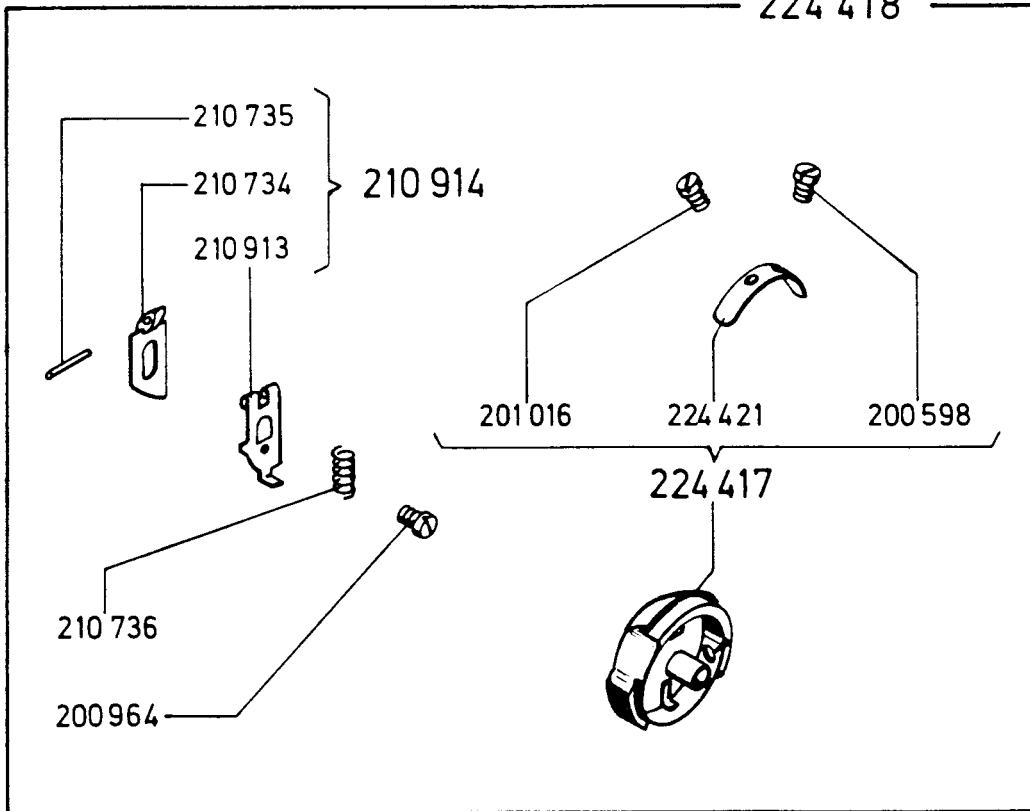
224 325



224 419

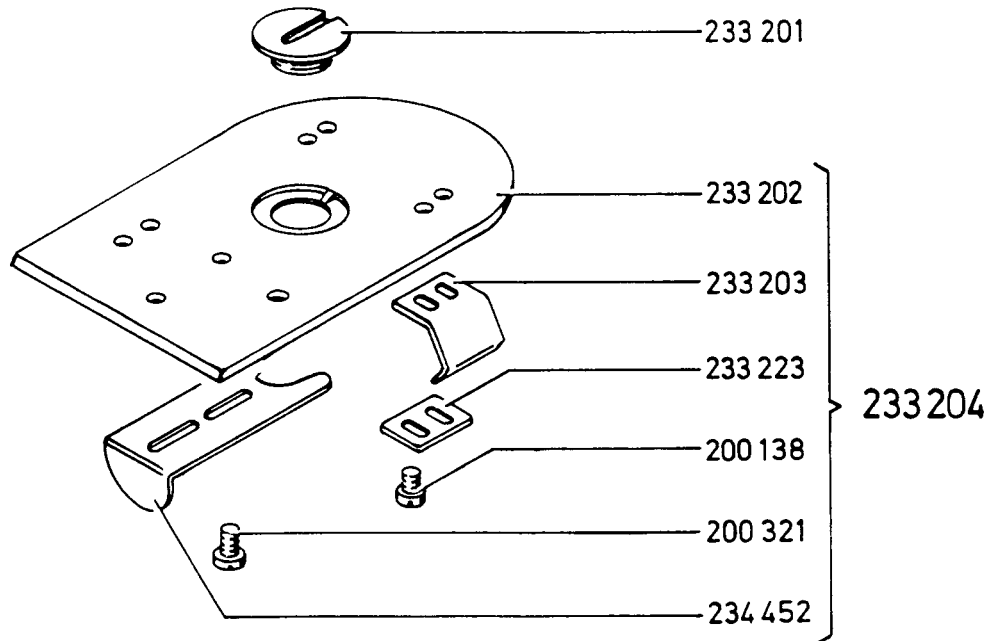
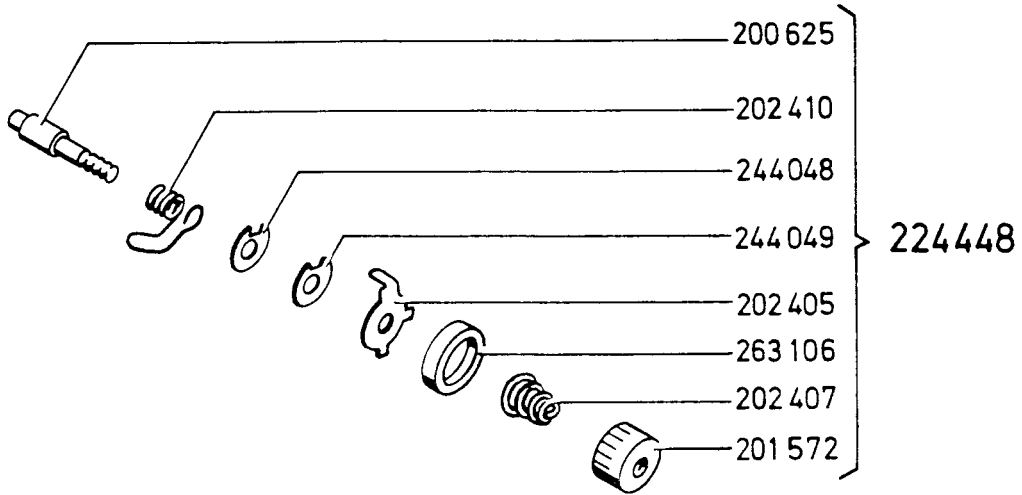
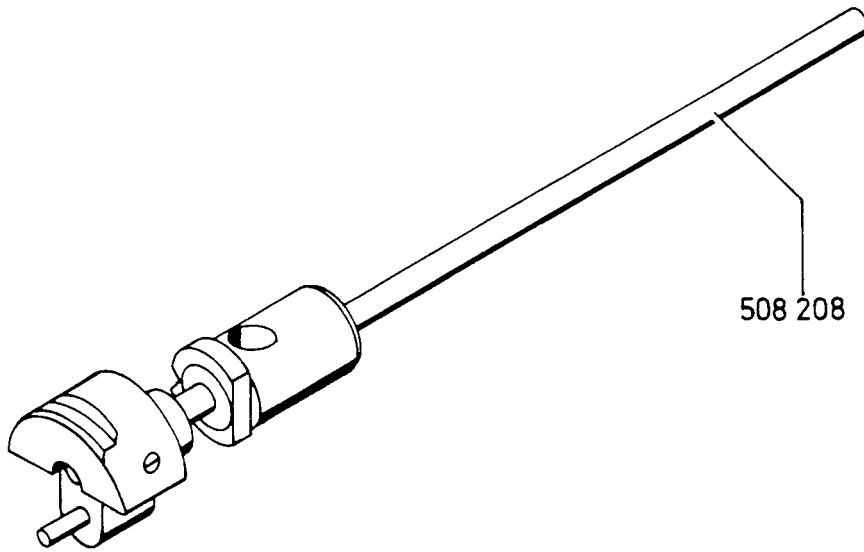


224 418



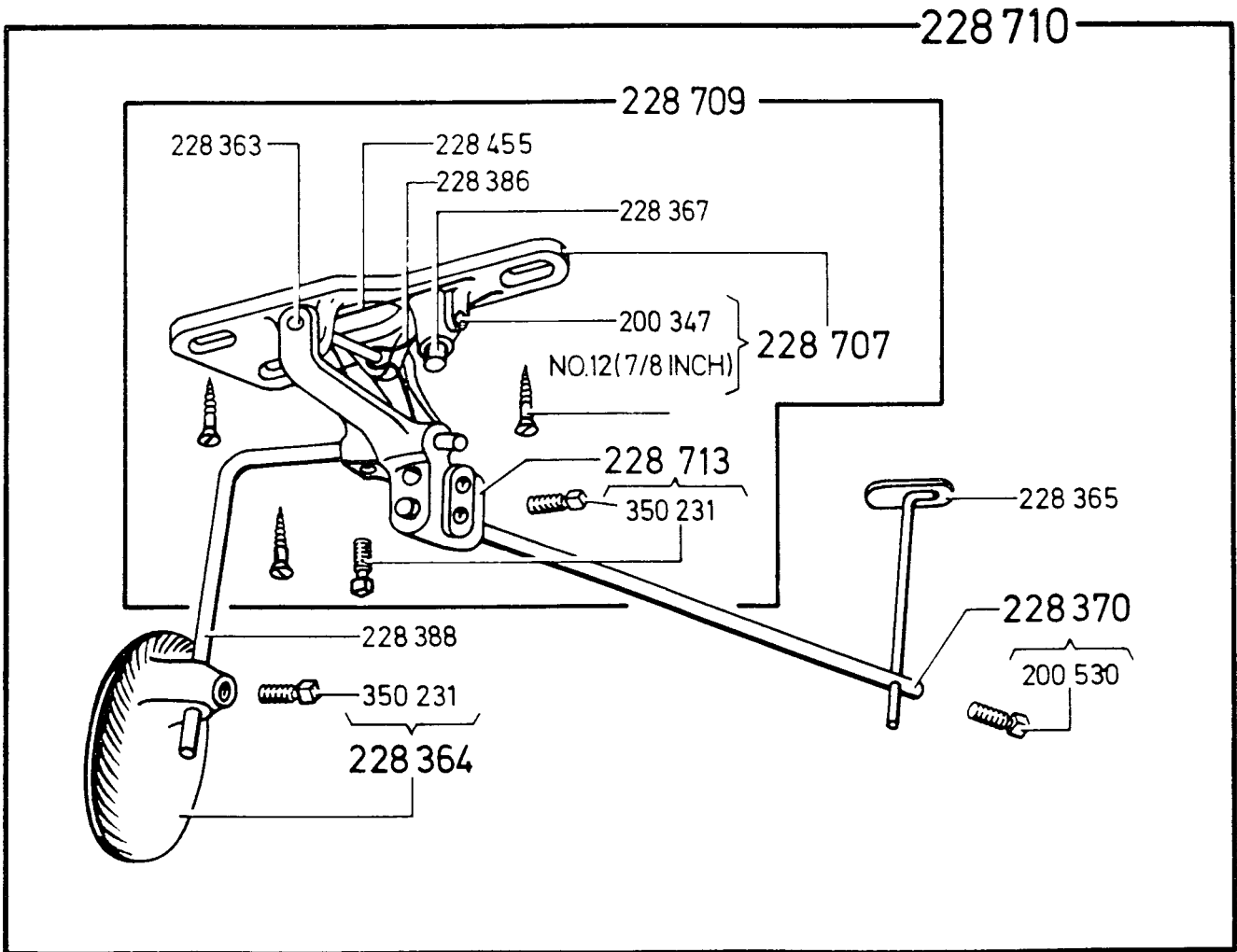
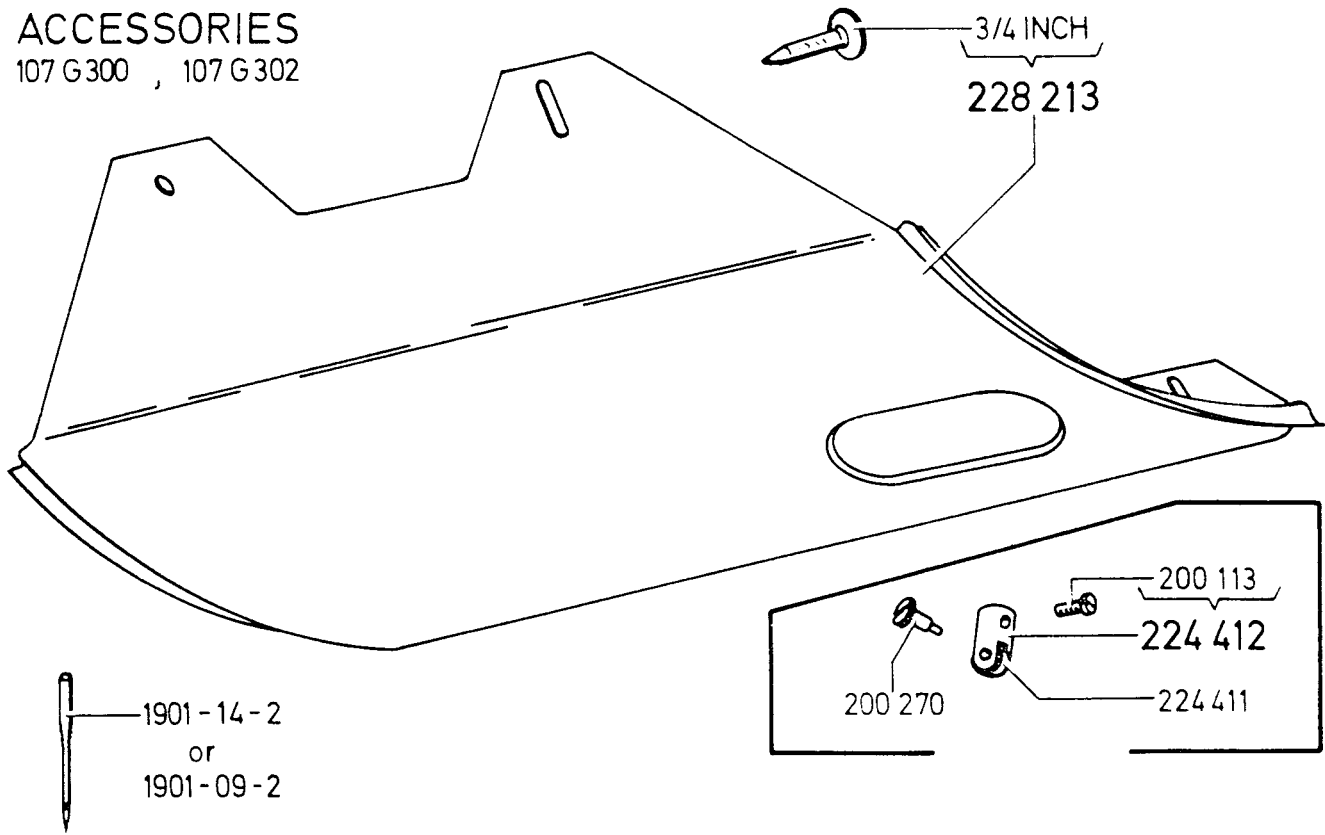
PART NO.	FOR CLASS 107 G		DESCRIPTION
	300	302	
200138-804	-	x	THROAT PLATE SPRING SCREW (6)
200321-804	-	x	NEEDLE PLATE LOCKING SLIDE SCREW (2)
200625-805	-	x	TENSION STUD
201572-819	-	x	TENSION THUMB NUT
202405	-	x	TENSION RELEASE WASHER
202407	-	x	TENSION SPRING
202410	-	x	THREAD CONTROLLER SPRING
224448	-	x	TENSION CPL. NOS. 200625, 201572, 202405, 202407, 202410, 244048, 244049 AND 263106
233201	-	x	NEEDLE PLATE
233202	-	x	THROAT PLATE
233203	-	x	THROAT PLATE SPRING (3)
233204	-	x	THROAT PLATE CPL. NOS. 233202, 234452, TWO 200321, THREE EACH 233203 AND 233223, SIX 200138
233223	-	x	THROAT PLATE SPRING WASHER (3)
234452	-	x	NEEDLE PLATE LOCKING SLIDE
263106	-	x	TENSION SPRING WASHER
244048	-	x	TENSION DISC (BACK)
244049	-	x	TENSION DISC (FRONT)
508208	-	x	ARM SHAFT

Parts for Machine No 107 G 300



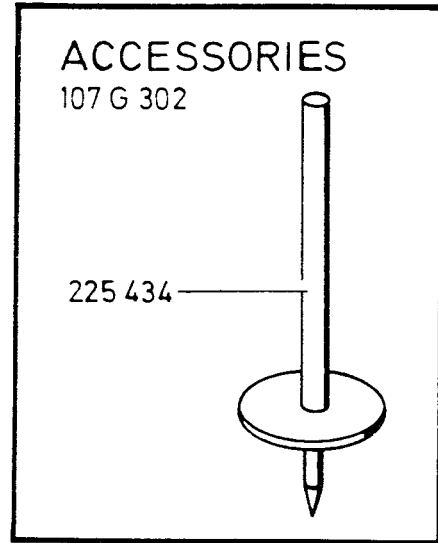
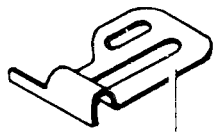
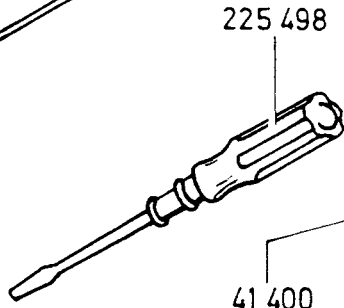
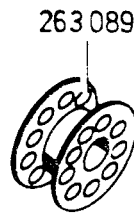
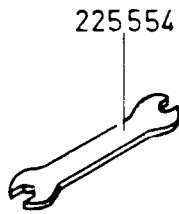
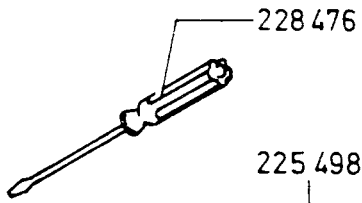
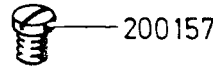
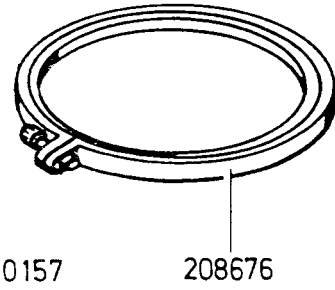
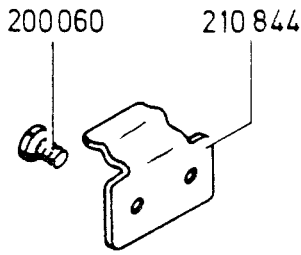
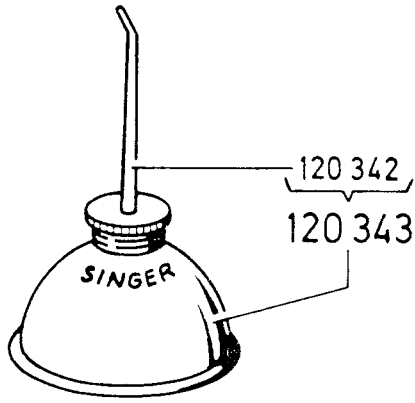
PART NO.	FOR CLASS 107 G		DESCRIPTION
	300	302	
-----	x	x	DRIP PAN WIRE NAILS (3/4 INCH LONG) (4)
NO. 12	x	x	WOOD SCREW FOR KNEE LIFTER ROCK LEVER BRACKET (3)
001901-09-2	-	x	NEEDLE (3)
001901-14-2	x	-	NEEDLE (5)
200113-850	x	x	NEEDLE VIBRATOR OPERATING ROD ROLLER BRACKET SET SCREW
200270-850	x	x	NEEDLE VIBRATOR OPERATING ROLLER HINGE SCREW
200347-830	x	x	KNEE LIFTER ROCK LEVER STOP STUD SET SCREW
200530-803	x	x	KNEE LIFTER ROCK LEVER ROD SET SCREW
224411	x	x	NEEDLE VIBRATOR OPERATING ROLLER
224412	x	x	NEEDLE VIBRATOR OPERATING ROD ROLLER BRACKET WITH 200113
224413	x	x	NEEDLE VIBRATOR OPERATING ROD ROLLER CPL. NOS. 200270, 224411 AND 224412
228213	x	x	DRIP PAN (LONG) WITH FOUR 3/4 INCH WIRE NAILS
228363	x	x	KNEE LIFTER ROCK LEVER HINGE PIN
228364	x	x	KNEE LIFTER ROCK LEVER KNEE PLATE WITH 350231
228365	x	x	KNEE LIFTER ROCK LEVER ROD
228367	x	x	KNEE LIFTER ROCK LEVER STOP STUD
228370	x	x	KNEE LIFTER ROCK LEVER EXTENSION WITH 200530
228386	x	x	KNEE LIFTER ROCK LEVER SPRING
228388	x	x	KNEE LIFTER ROCK LEVER KNEE PLATE ARM
228455	x	x	KNEE LIFTER ROCK LEVER POSITION SPRING
228707	x	x	KNEE LIFTER ROCK LEVER BRACKET WITH 200347 AND THREE WOOD SCREWS 7/8 INCH NO. 12
228709	x	x	KNEE LIFTER ROCK LEVER BRACKET WITH 228363, 228367, 228386, 228455, 228707 AND 228713
228710	x	x	KNEE LIFTER ROCK LEVER CPL. NOS. 228364, 228365, 228370, 228388 AND 228709
228713	x	x	KNEE LIFTER ROCK LEVER WITH TWO 350231
350231-803	x	x	KNEE LIFTER ROCK LEVER EXTENSION SET SCREW AND KNEE PLATE ARM SET SCREW (2)
350231-803	x	x	KNEE LIFTER ROCK LEVER KNEE PLATE SET SCREW

ACCESSORIES
107 G 300 , 107 G 302



PART NO.	FOR CLASS 107 G		DESCRIPTION
	300	302	
NO. 12	x	x	BOBBIN WINDER WOOD SCREW (3/4 INCH RHB) (2)
	x	x	BOBBIN WINDER PULLEY SET SCREW
002102	x	x	BOBBIN WINDER TENSION DISC (2)
013710	x	x	BOBBIN WINDER TENSION SPRING
032830	x	x	BOBBIN WINDER TENSION BRACKET SCREW WASHER
041400	x	x	MACHINE REST PIN (WOOD)
120342	x	x	OILER COPPER PLATED WITH 120343
120343	x	x	OILER COPPER PLATED SPOUT (3-1/2 INCH)
200056-805	x	x	BOBBIN WINDER STOP LATCH SCREW
200060	x	x	BED HINGE CONNECTION SCREW (4)
200082-850	x	x	BOBBIN WINDER TENSION BRACKET SCREW
200113-850	x	x	BOBBIN WINDER BRAKE CLAMP SCREW
200157-850	x	x	ATTACHMENT SCREW
200299-819	x	x	BOBBIN WINDER STOP LATCH TRIP LEVER HINGE SCREW
201499-819	x	x	BOBBIN WINDER TENSION STUD
201572-819	x	x	BOBBIN WINDER TENSION STUD THUMB NUT
202478	x	x	BOBBIN WINDER STOP LATCH TRIP LEVER
208676	x	x	EMBROIDERY HOOP 12 INCH
210844	x	x	BED HINGE CONNECTION (2)
225381	x	x	BOBBIN WINDER SPINDLE
225434	-	x	SPOOL PIN
225444	x	x	BOBBIN WINDER STOP LATCH
225453	x	x	BOBBIN WINDER FRAME WITH 244071 AND 259660
225454	x	x	BOBBIN WINDER FRAME HINGE PIN
225455	x	x	BOBBIN WINDER FRAME SPRING
225456	x	x	BOBBIN WINDER FRAME SPRING PLUNGER
225458	x	x	BOBBIN WINDER STOP LATCH THUMB SCREW
225459	x	x	BOBBIN WINDER STOP LATCH THUMB LEVER HINGE STUD (2)
225461	x	x	BOBBIN WINDER TENSION BRACKET WITH 201499
225462	x	x	BOBBIN WINDER TENSION BRACKET WITH 13710, 201572 AND 225461
225498	x	x	SCREW DRIVER (7-1/4 INCH)
225554	x	x	WRENCH (STEEL)
228476	x	x	SCREW DRIVER (BOBBIN CASE)
231337	x	x	CLOTH GUIDE
244071	x	x	BOBBIN WINDER FRAME OIL PACKING (WICK)
259428	x	x	BOBBIN WINDER BRAKE (LEATHER)
259429	x	x	BOBBIN WINDER BRAKE CLAMP
259462	x	x	UNIVERSAL BOBBIN WINDER CPL. NOS. 200056, 200082, 200113, 200299, 202478, 225381, 225444, 32830, 225453 TO 225456, 225458, 225462, 259428 259429, 259662, 259930, TWO EACH 225459 AND WOOD SCREWS
259660	x	x	BOBBIN WINDER FRAME OIL WELL WASHER
259662	x	x	BOBBIN WINDER AND TENSION BRACKET BASE
259930	x	x	BOBBIN WINDER PULLEY WITH 624
263099	x	x	BOBBIN (2)

ACCESSORIES 107 G 300 , 107 G 302



259 462

225 462

