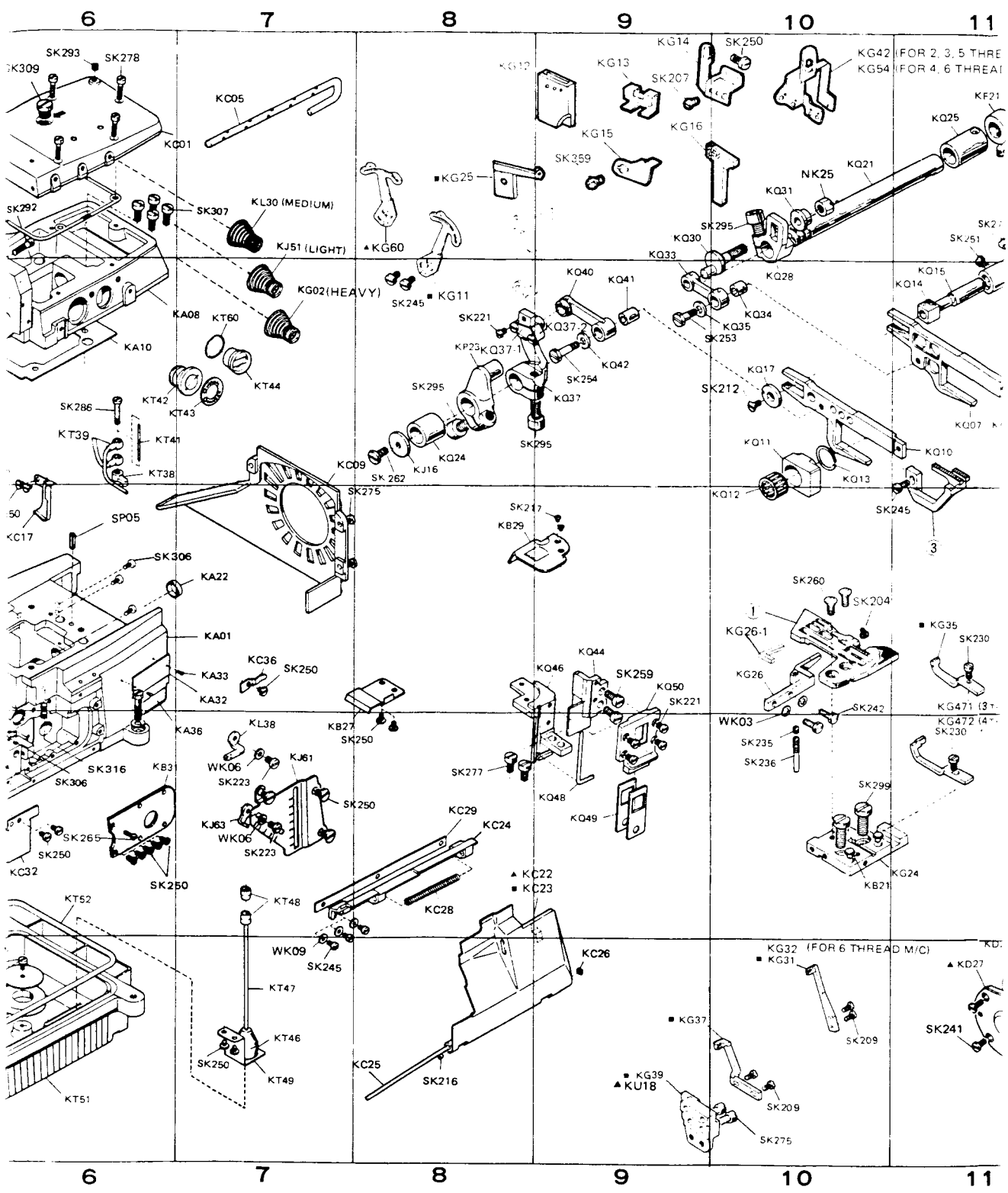


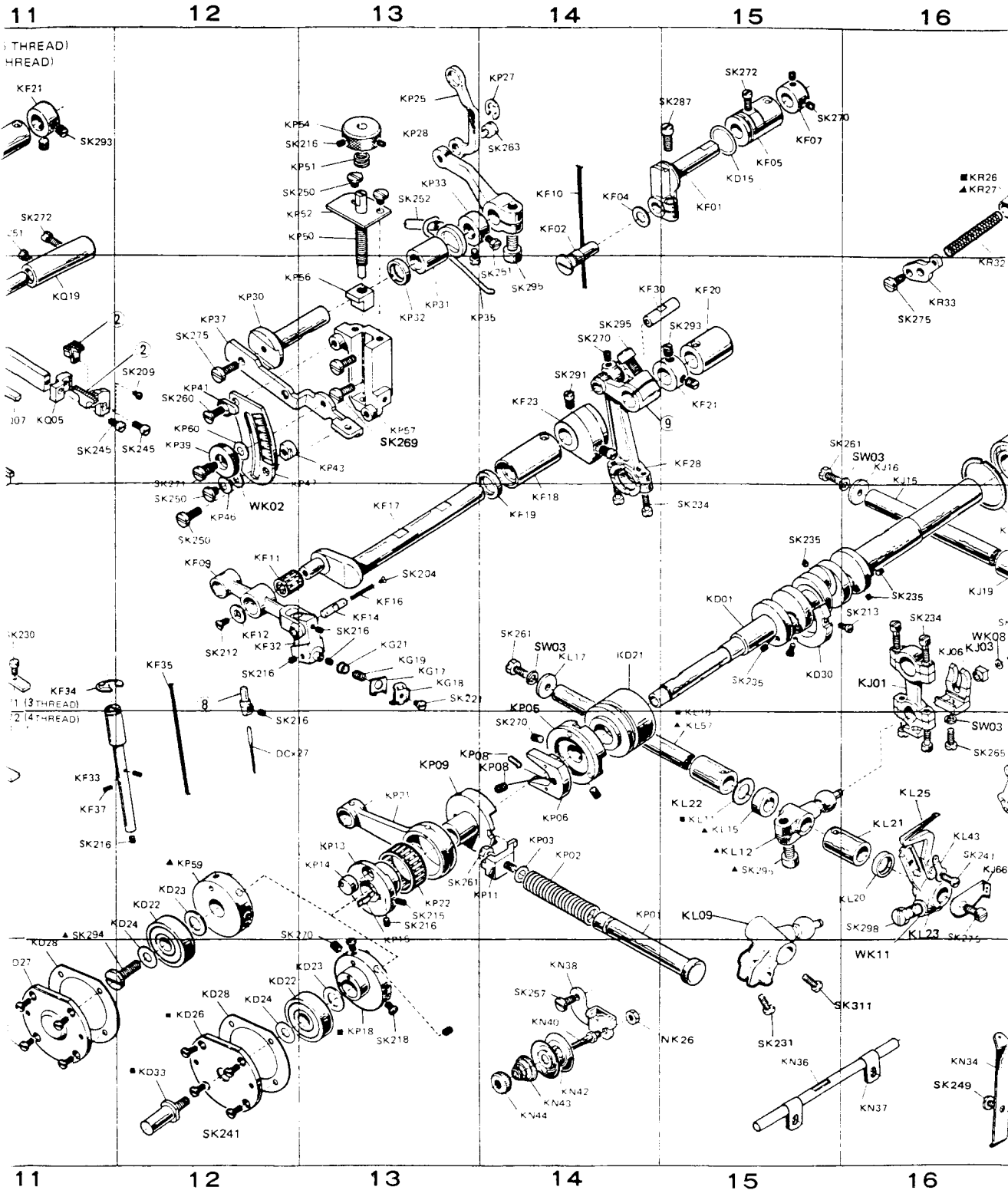
PARTS LIST

390 Series

390 SERIES

ULTRA HIGH SPEED
OVERLOCK MACHINE
SAFETY STITCH MACHINE





11

12

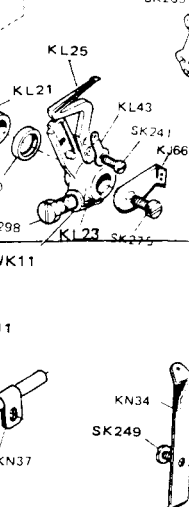
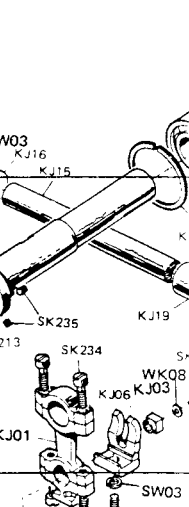
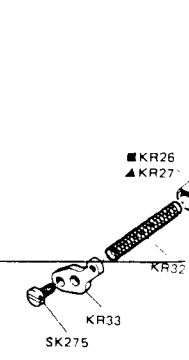
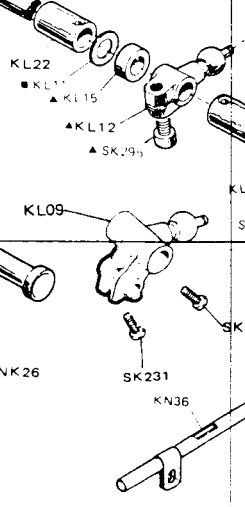
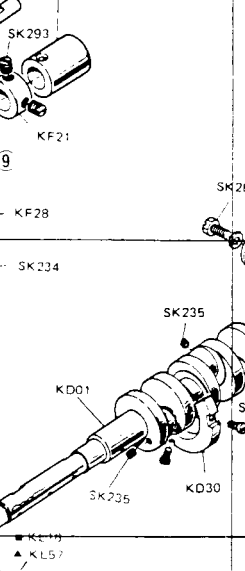
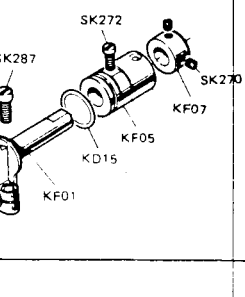
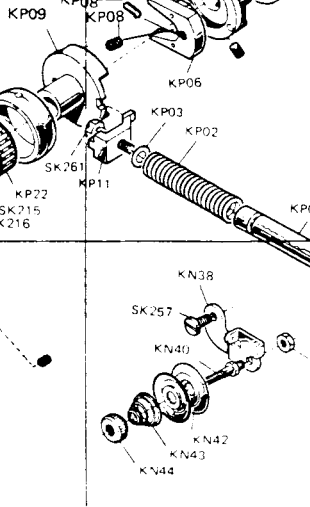
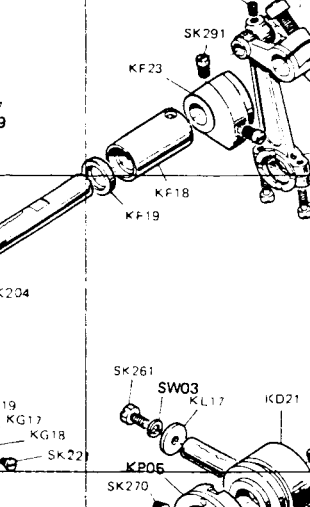
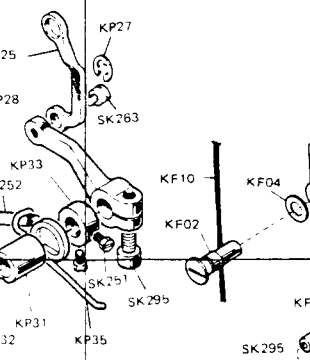
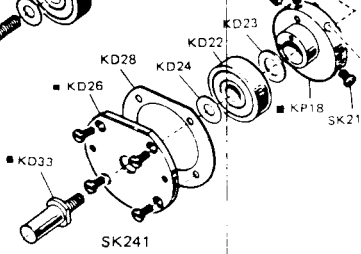
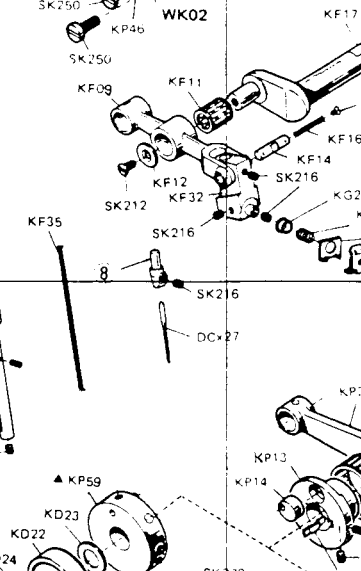
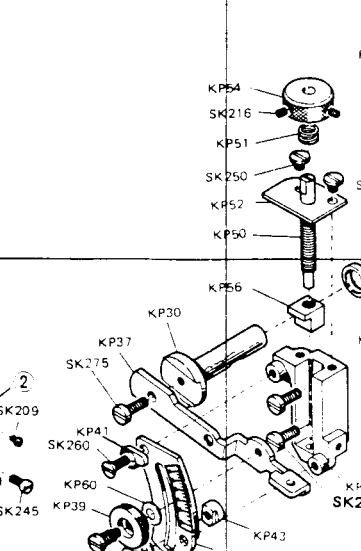
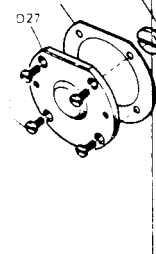
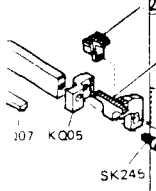
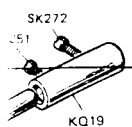
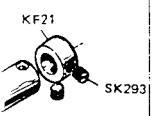
13

14

15

16

(3 THREAD)
(4 THREAD)



11

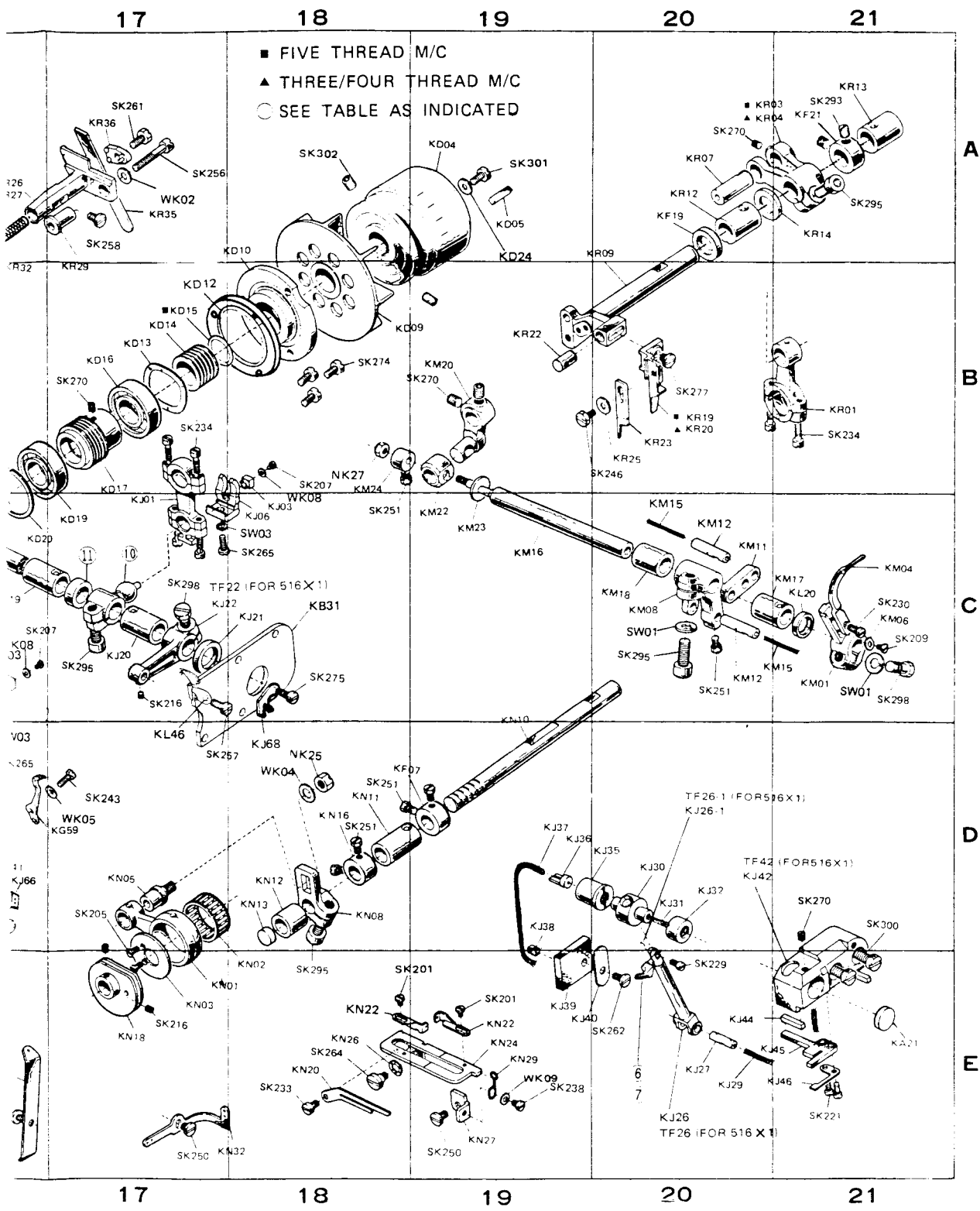
12

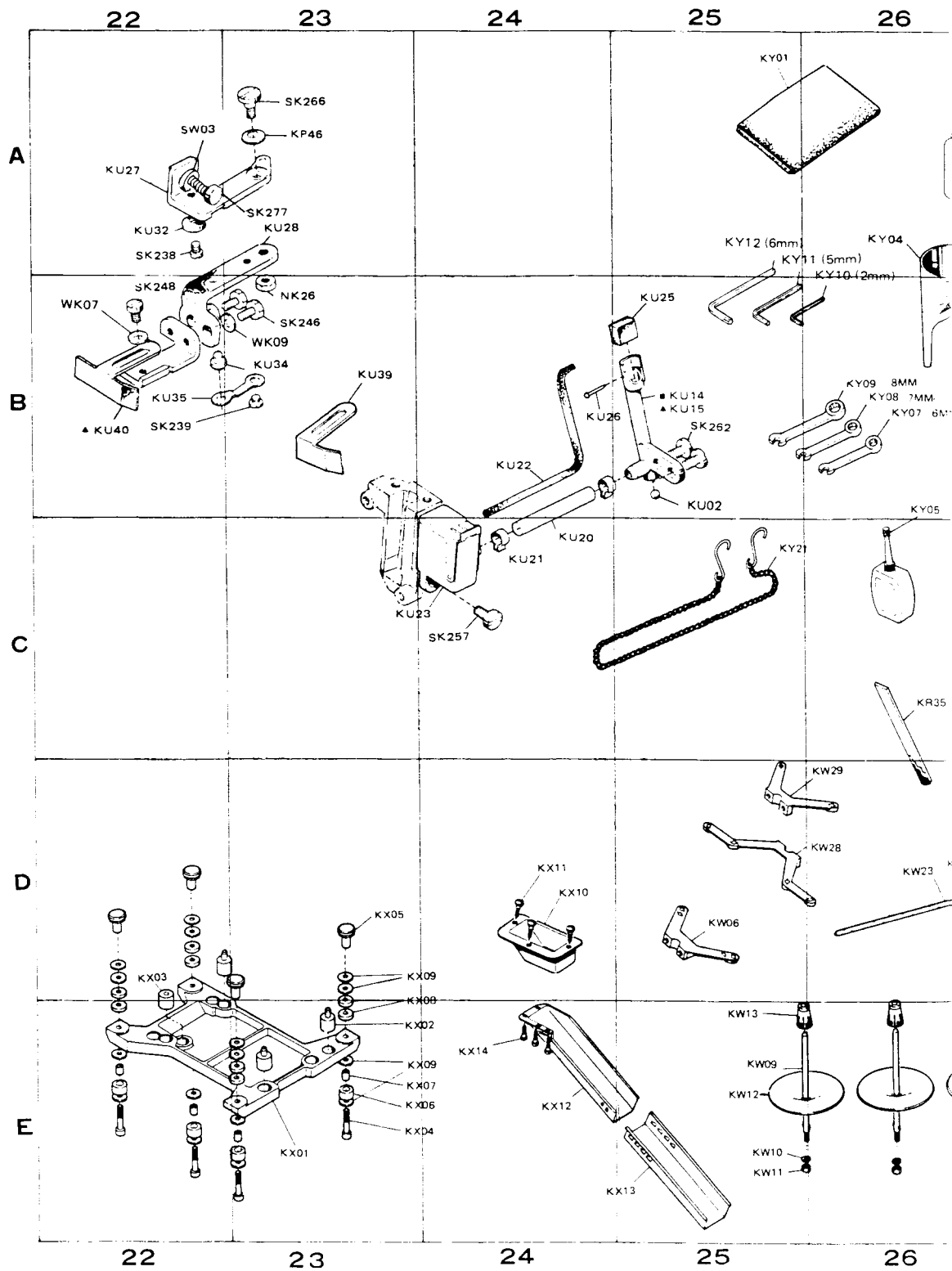
13

14

15

16





RE:SER DOT COMP	FABRIC GUARD	UPPER LOOPER	SPREA- DER	NEEDLE HOLDER	NEEDLE DRIVE CRANK	UPPER LOOPER DRIVE CRANK	WASHER	NDL SIZE	FOOT LIFT mm
152E/ F155C			LP21	KG131	KF25 STD	KJ09	KJ10	9	5.5
152E F525	KS62	LP22		KG131	KF25 STD	KJ09	KJ10	11	5.5
P230C/ F371	KS62	LP22		KG131	KF25 STD	KJ09	KJ10	9	5.5
230C/ F371	KS62	LP22		KG131	KF25 STD	KJ09	KJ10	9	5.5
P136		LP24		KG131	KF26 GA, HI	KJ11	KJ13	11	6.0
152E/ F155C		LP22		KG131	KF25 STD	KJ09	KJ10	9	5.5
253/ F374	KS62	LP34		KG142	KF26 HI	KJ11	KJ13	14	6.0
253 F503/ 53 F374	KS62	LP24		KG142	KF26 HI	KJ11	KJ13	11	6.0
30C F503/ 30C F374	KS62	LP24		KG142	KF25 STD	KJ11	KJ13	9	5.5
P136		LP24		KG142	KF26 GA, HI	KJ11	KJ13	11	6.0
P998 P504	KS42	LP22 (LP21)		KG152 KG153	KF25 STD	KJ11	KJ10	11	5.5
P502	KS42	LP24 (LP23)		KG155	KF25 STD	KJ11	KJ10	14	5.5
P502	KS42	LP24 (LP23)		KG155	KF26 HI	KJ11	KJ12	16	6.0
P508 P509	KS42B	LP24 (LP23)		KG153 KG155	KF25 GA, STD	KJ11	KJ10	14	5.5
P955	KS47	LP38 (LP23)		KG155	KF26 HI	KJ11	KJ12	21	6.0

GROUP PARTS NUMBER

KB100	- Cloth Plate (Narrow) for 3, 4 Thread KB01, KB03, KB08, KB11, KB12, KB21, NK23, NK26, SK221, SK 240, SK241, SK268, WK06, WK09
KB101	- Cloth Plate (Wide) for 5 Thread KB02, KB05, KB09, KB17, KB12, KB21, NK23, NK26, SK221, SK240, SK241, SK268, WK06, WK09
*KF100	- Needle Holder Guide KF32, KF33, KF34, KF35, KF37, SK216
*KF100	- Needle Thread Lubricator Complete for 3, 4 Thread KF12, KF13, KG14, KG15, KG19, SK201, SK250, SK359
*KG101	- Needle Thread Lubricator Complete for 5 Thread KG12, KG13, KG14, KG15, KG16, KG25, SK207, SK250, SK359
KG120	- Thread Tension Complete with Heavy Spring KG02, KG03, KG04, KG05, KG06, KG07, KG08, KG09
KG121	- Thread Tension Complete with Medium Spring KL30, KG03, KG04, KG05, KG06, KG07, KG08, KG09
KG122	- Thread Tension Complete with Light Spring KG01, KG03, KG04, KG05, KG06, KG07, KG08, KG09
KG123	- Thread Tension Complete with Heavy Spring for 4, 5 Thread KG02, KG03, KG04, KG05, KG06, KG07, KG08, KG10
KJ100	- Upper Looper Holder KJ26, KJ30, KJ31, KJ25-1, SK229
KJ110	- Base/Upper Looper Holder Guide KA21, KJ32, KJ42, SK270, SK360
KN100	- Bracket/Looper Thread Tension KN36, KN40, KN42, KN43, KN44, NK26, SK257
*KQ100	- Crank Complete/Diff. Feed KQ37, KQ37-1, KQ37-2, SK221, SK295
*KQ110	- Feed Bar KQ07, KQ10
KT100	- Gear Pump Complete KT03, KT04, KT06, KT07, KT08, KT09, KT10, KT12, KT24, KT26, KT34, KP03, SK262, SK267, SK278, SK293, SK304
KT110	- Oiler Reservoir KT51, KT56, KT57, KT58, SK262, SK305, SK310, SW102
*KT120	- Indicator Complete KT46, KT47, KT48
KU100	- Needle Cooler Complete Set for 3, 4 Thread KU22, KU15, KU23, KU21, KU22, KU23, KU25, KU26, SK257, SK262
KU101	- Needle Cooler Complete Set for 5 Thread KU02, KU16, KU20, KU21, KU22, KU23, KU25, KU26, SK257, SK262
KW100	- Thread Stand Complete for 3 Thread KW01, KW02, KW03, KW04, KW05, KW06, KW07, KW08, KW09, KW10, KW11, KW12, KW13, KW14, KW15, KW17, KW18, KW20, KW23, KW26, KW28, KW32, KW33, KW34, KW36, KW38
KW101	- Thread Stand Complete for 4, 5 Thread KW01, KW02, KW03, KW04, KW05, KW06, KW07, KW08, KW09, KW10, KW11, KW12, KW13, KW14, KW15, KW17, KW18, KW20, KW23, KW26, KW28, KW32, KW33, KW34, KW36, KW38
KW102	- Thread Stand Complete for 6 Thread KW11, KW12, KW13, KW14, KW17, KW18, KW20, KW23, KW26, KW28, KW32, KW33, KW34, KW36, KW38
KX100	- Drive Complete KX10, KX11, KX12, KX13, KX14
KX110	- Parts for Maching Rest Board KX02, KX03, KX04, KX05, KX06, KX07, KX08, KX09

* Parts can only be supplied by group.

DD KJ32	7A KL30 3A KL36	18E KN20 19E KN22	14B KP35 12B KP37 12B KP39	9B KQ42 9C KQ44	4B KS16 4C NK21	3E KT23 3E KT24 2E KT24 3E KT26 2E KT26	22A KU32 23B KU34 22B KU35 23B KU39 22A SW03	28E KW33 27E KW34 28E KW35 27C KW36
DD KJ35	7D KL38	19E KN24	12B KP41	9C KQ46	3B KS18	3E KT26	22B KU40	- KX -
DD KJ36	7D WK06	18E KN26	12B KP41	9D KQ48	3A KS20	4E KT26	22B KU40	
DD KJ37	16D KL43	19E KN27	23A KP42	9D KQ49	3B KS21	4E KT27	22B KU40	
DD KJ38	17D KL46	19E KN29	13B KP43	9C KQ50	2D KS24	3D KT27	22B KU43	23E KX01
DE KJ39	15D KL57	19E WK09	12C KP46	12C KP46	5A KS26	2E KT32	23B WK09	23E KX02
DE KJ40	- KM -	17E KN32	12B KP47	- KR -	5A KS27	2D KT33	23B WK09	22D KX03
DD KJ42		16E KN34	13A KP50	21B KR01	5A KS28	4E KT34		23C KX04
DE KJ44	21C KM01	15E KN36	13A KP51	21A KR03	4A KS29			23D KX05
DE KJ45	21C SW01	16E KN37	13A KP52	21A KR04	4A KS30	6B KT38	- KW -	23E KX06
DE KJ46	21C KM04	14E KN38	13A KP54	20A KR07	4A KS31	6B KT39		23E KX07
	21C KM06		13B KP56	20A KR09		6B KT41	27D KW01	23D KX08
	20C KM08	14E KN40			4A SP04	6B KT42	28E KW02	23D KX09
DA KJ51		15E KN26	13B KP57	20A KR12	4A KS34	7B KT43	28E KW03	23D KX10
DA KJ58	20C SW01	14E KN42	12D KP59	21A KR13	3D KS42		28E KW04	23D KX10
DD KJ61	20C KM11	14E KN43	12B KP60	21A KR14	2C KS44	7B KT44	28E KW05	24D KX10
DD KJ63	20C KM12	14E KN44		20B KR19	1C KS54	7E KT46		24D KX11
DD KW06	20C KM15			20B KR20		7E KT47	28C KW05	24D KX12
DD KJ68	19C KM16	- KP -	- KQ -		1C KS56	7E KT48	28C KW06	25E KX13
		14D KP01	11B KQ05	19B KR22	1C KS58	7E KT49	27C KW07	24E KX14
		14D KP02	11B KQ07	20B KR23	1C KS60		27C KW07	
		4D KP03	11B KQ10	20B KR25	1C KS61	6E KT51	28D KW08	
		19B KM20	10B KQ11	16A KR26	2C KS62	6D KT52		- KY -
		19B KM22	14C KP05	16A KR27		4D SW02	28C KW08	25A KY01
		19C KM23			1C KS64	5E KT56	25E KW09	27A KY02
			10B KQ13	17A KR29	1C WK08	5E KT57	25E KW10	26A KY03
	18B KM24	13D KP08	11B KQ14	17A WK02		5E KT57	25E KW11	26A KY04
DC WK08	18B NK27	13D KP09	11A KQ15	16A KR32	- KT -	5E KT58	26D KW11	26B KY05
DC 3W03		14D KP11	10B KQ17	16B KR33		7B KT60		26B KY07
DC KL09	- KN -	13D KP13	11B KQ19	17A KR35			27D KW11	26B KY08
		13D KP14			4D KT03	- KU -	28C KW11	26B KY09
			10A KQ21	26C KR35	4D KT04		25E KW12	26A KY10
DD KL11	17E KN01	13D KP15	9B KQ24	17A KR36	4E KT06	25B KU14	25D KW13	26A KY11
DD KL12	18E KN02	13D KP18	11A KQ25		4E KT07	25B KU15	28C KW14	25A KY12
DD KL15	17E KN03	13D KP21	10A KQ28			3E KU18		28B KY14
DD KL16	17D KN05	13D KP22	9A KQ30	- KS -	4E KT08	24B KU20	27C KW15	27B KY16
DD KL17	18D WK04	3B KP23			4E KT09	24C KU21	27D KW17	28B KY17
			10A KQ31	2C KS01	4E KT10		27D KW17	28B KY18
DD SW03	18D NK25		10A NK25	3C KS02	4E KT12	24B KU22	26D KW18	27B KY18
DD KL20	18D KN08	13A KP25	9A KQ33	2C KS03	3B KT14	24C KU23	26D KW20	28B KY20
DD KL20	19C KN10	14A KP27	10B KQ34	3C KS05	25B KT14	25B KU25		25C KY21
DD KL21	18D KN11	13A KP28	10B KQ35	2C KS09	4B KT15	24B KU26	26D KW23	28C KY26
DD KL22	18D KN12	12B KP30	13B KP31		3B KT16	22A KU27	28C KW26	
			9B KQ37	3B KS10	3B KT17	23A KU28	26C KW29	
DD KL23	18D KN13		9B KQ40	4B KS12	3B KT19	23A KP46	24C KW29	
DD KL25	18D KN16	13B KP32	9B KQ41	4B KS14	3E KT21	23B NK26	25D KW32	
DD WK11	17E KN18	13A KP33						