

**SINGER**  
**111W151**

Form 2654w

( 440 )

PRINTED IN U. S. A.

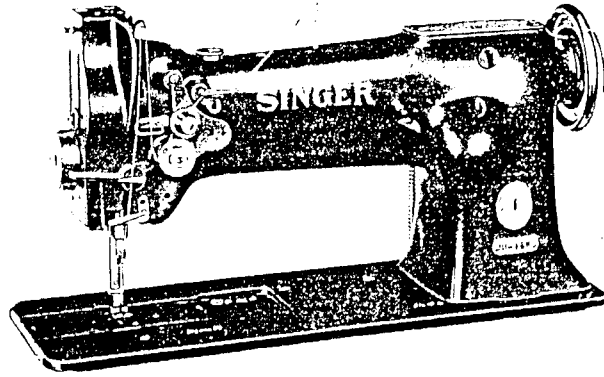
# SINGER\*\*

## III w 151



THE SINGER MANUFACTURING COMPANY

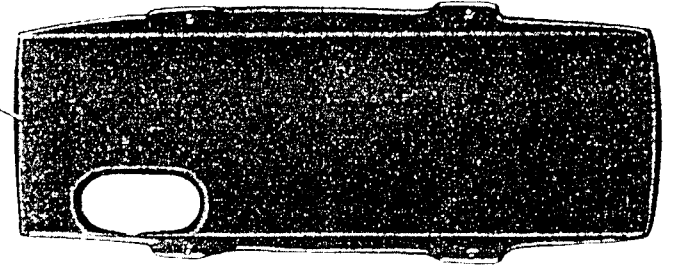
\*\* A Trademark of THE SINGER MANUFACTURING COMPANY



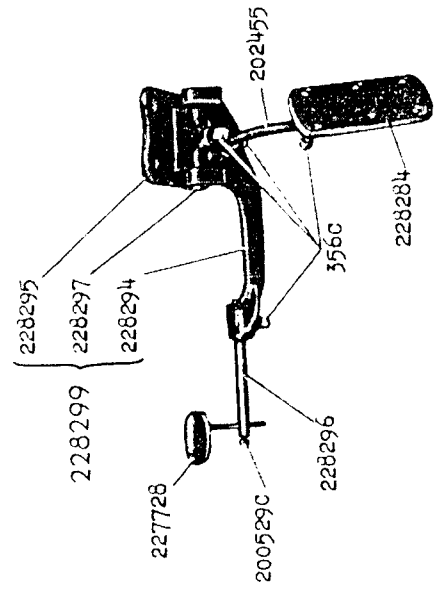
Copyright, U. S. A., 1938 and 1940  
 by The Singer Manufacturing Co.  
 All Rights Reserved for all Countries

16258 - 1/6

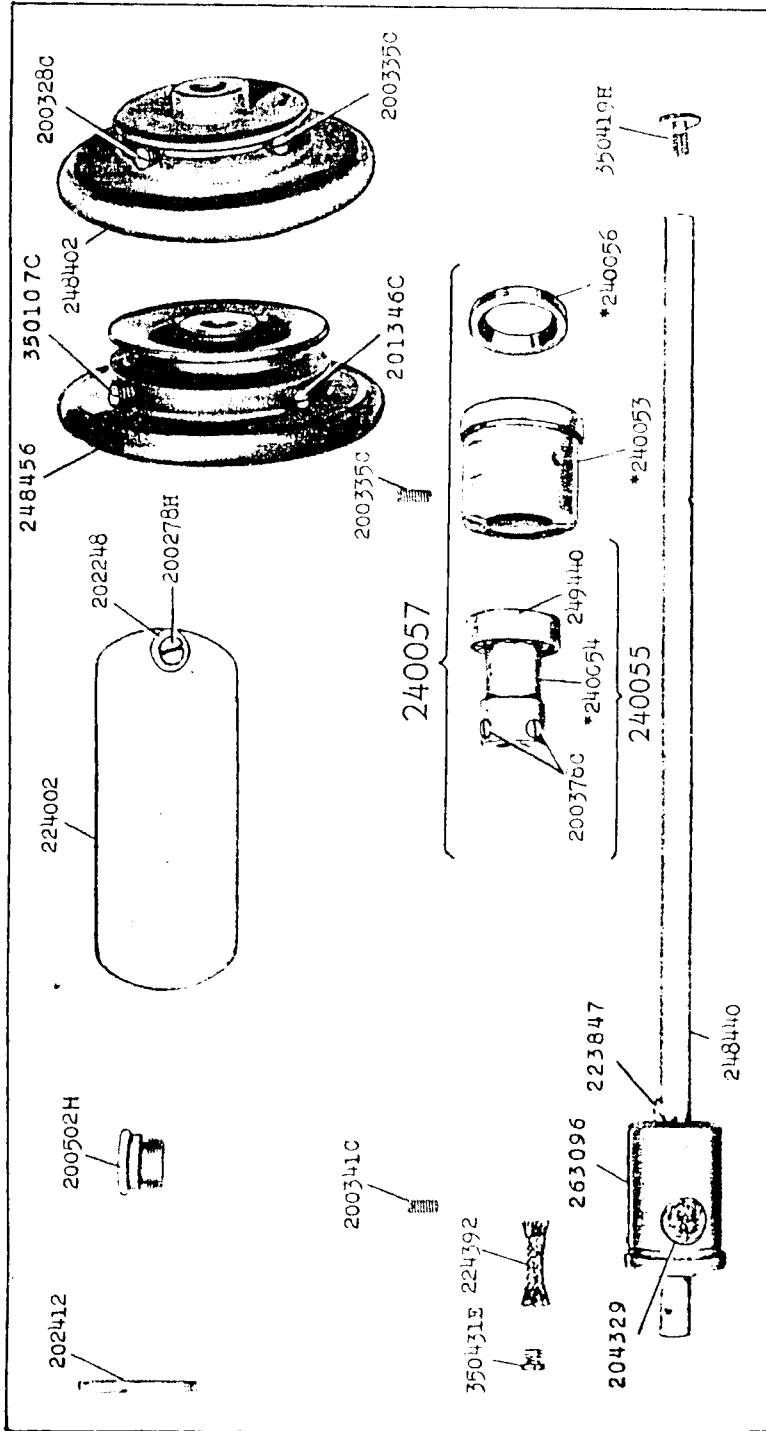
224121



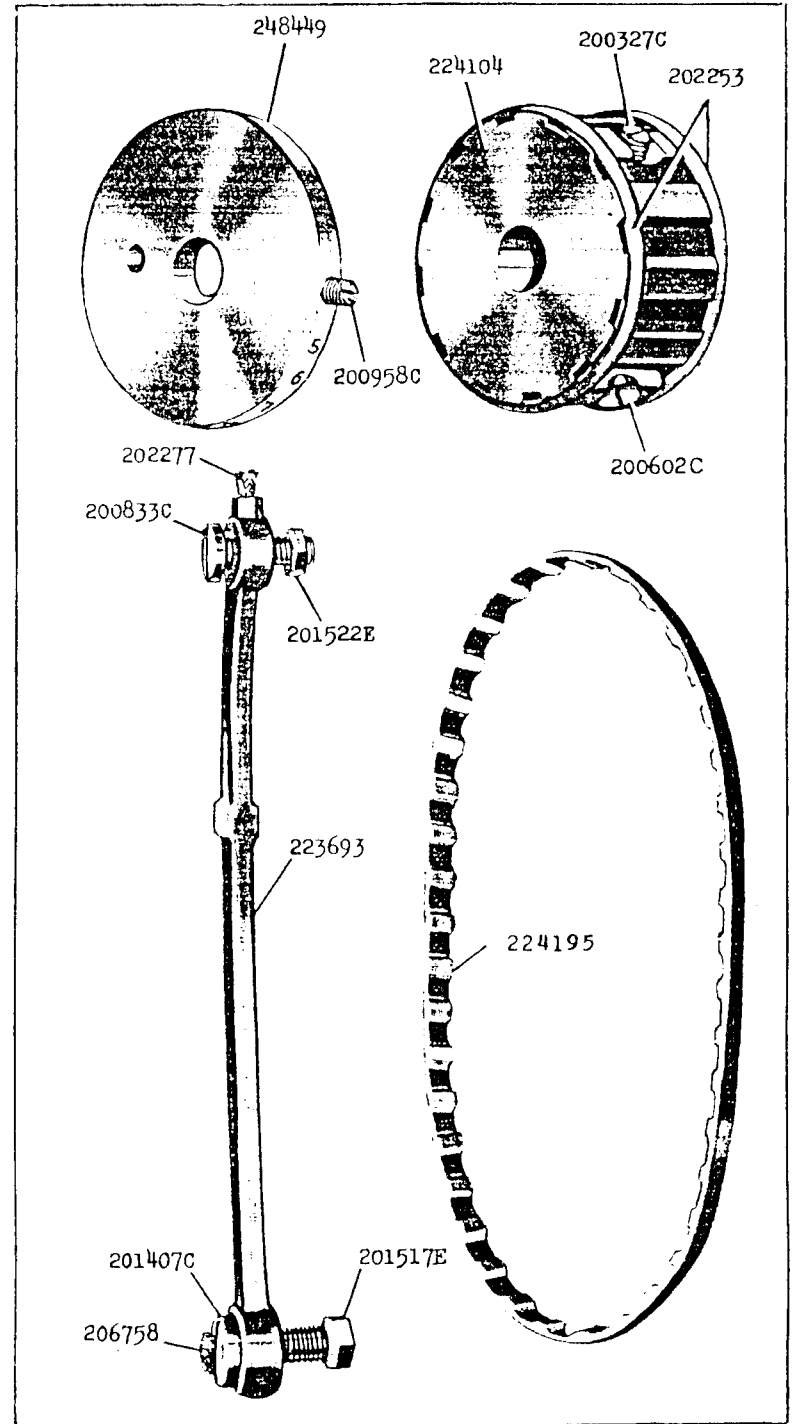
228298



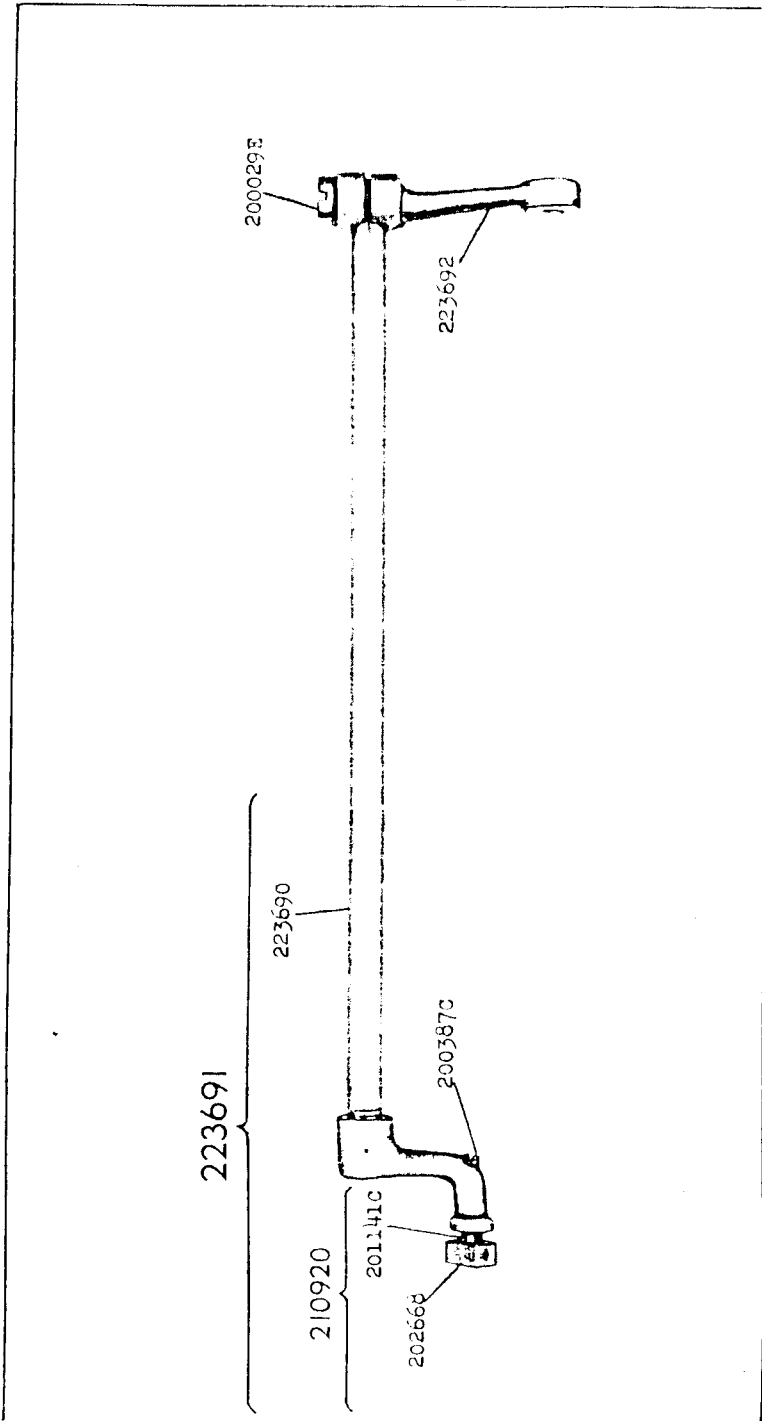
16603 - 3/8



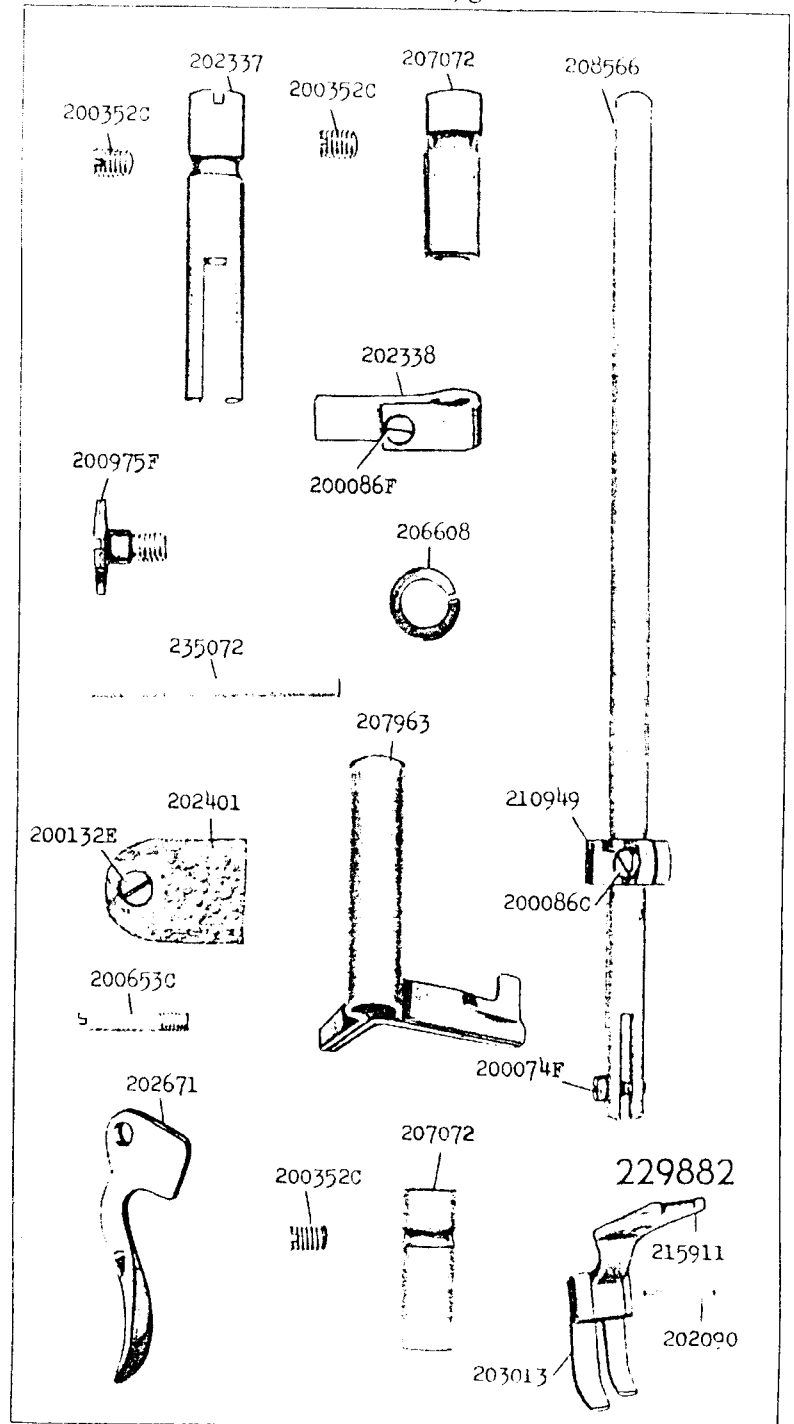
16604 - 3/8



16609 - 1/2

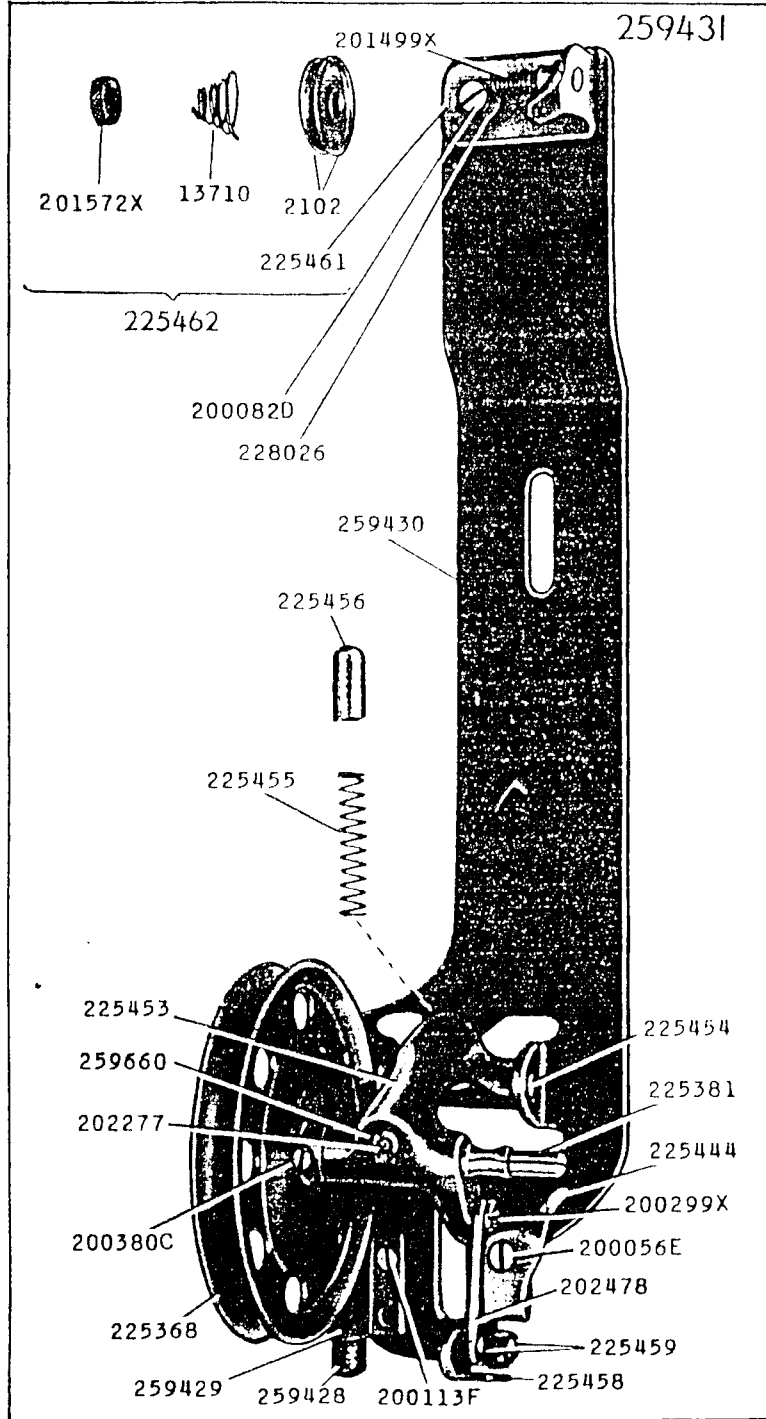


16611 - 5/8

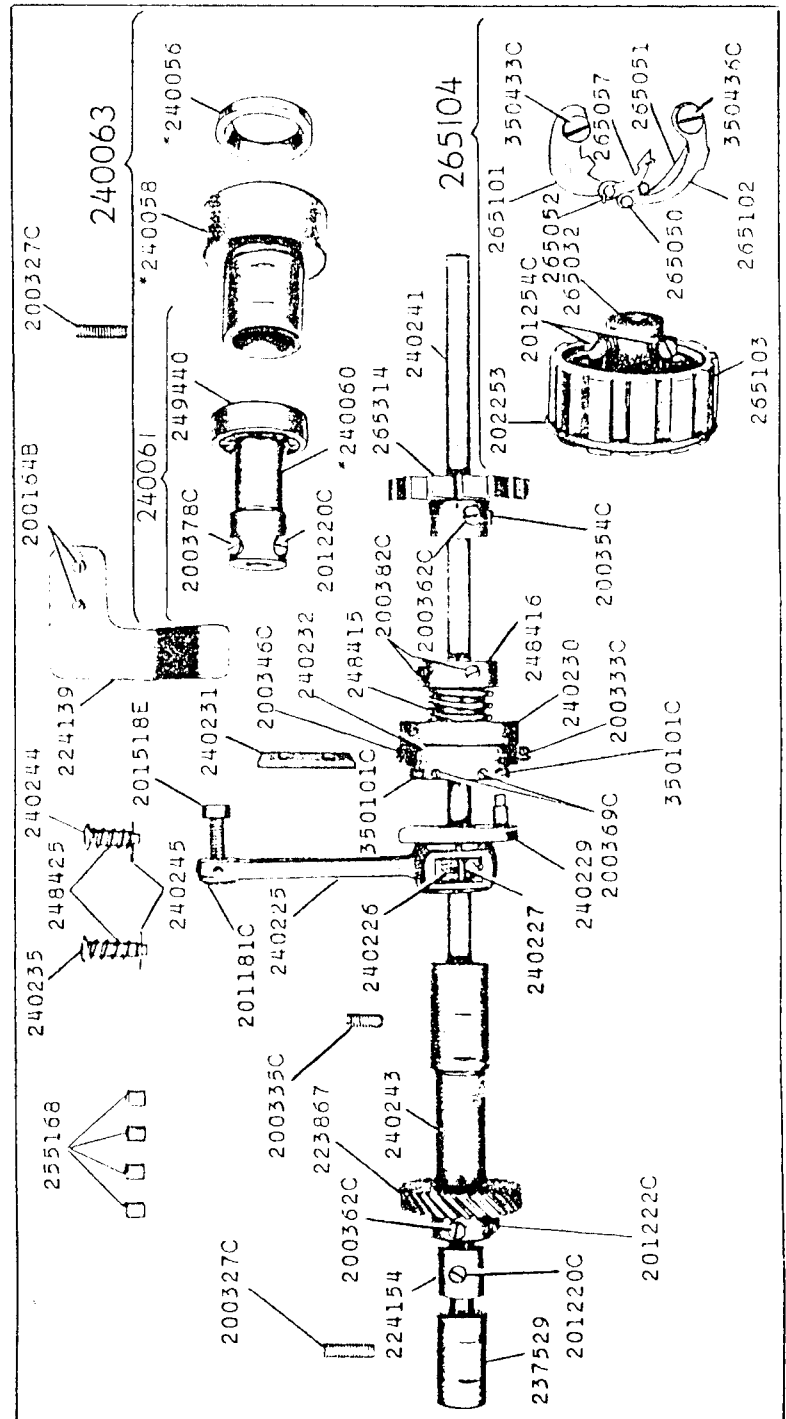


16615 - 1/2

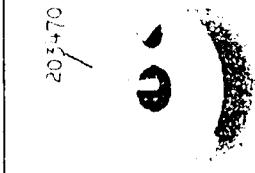
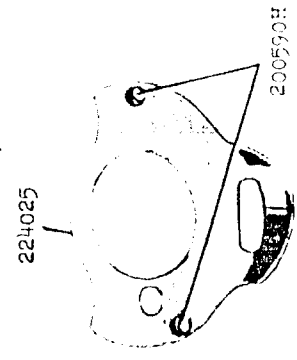
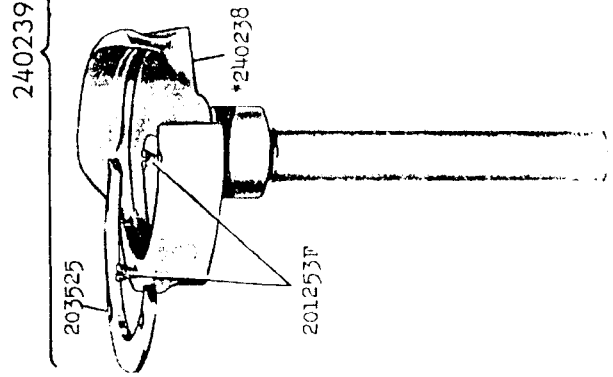
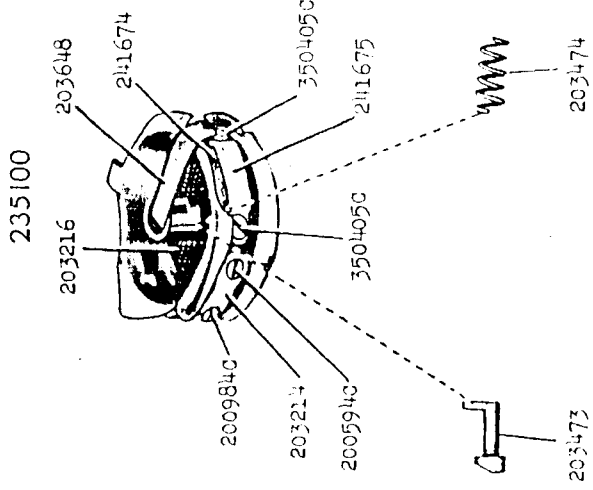
259431



16616 3/8

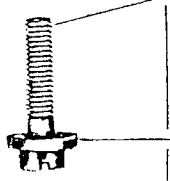
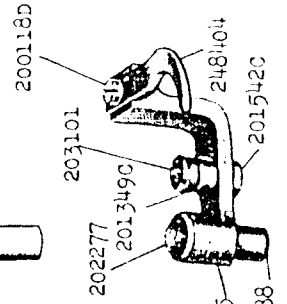
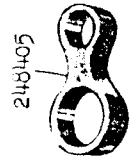
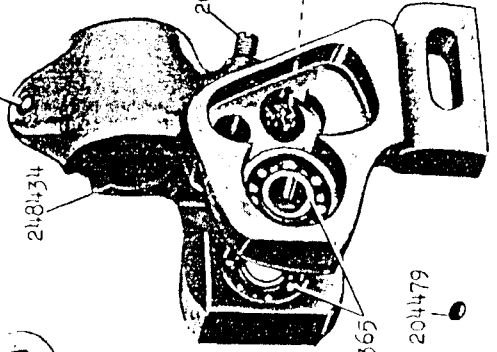
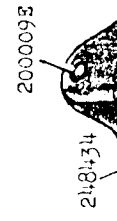
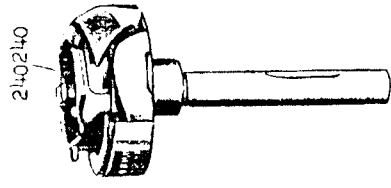
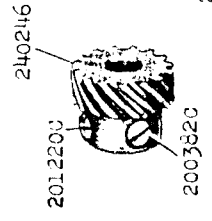
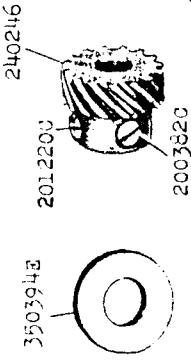
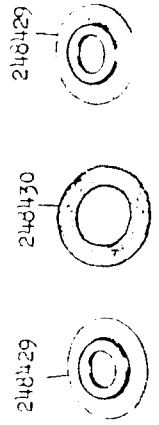


240240



16617

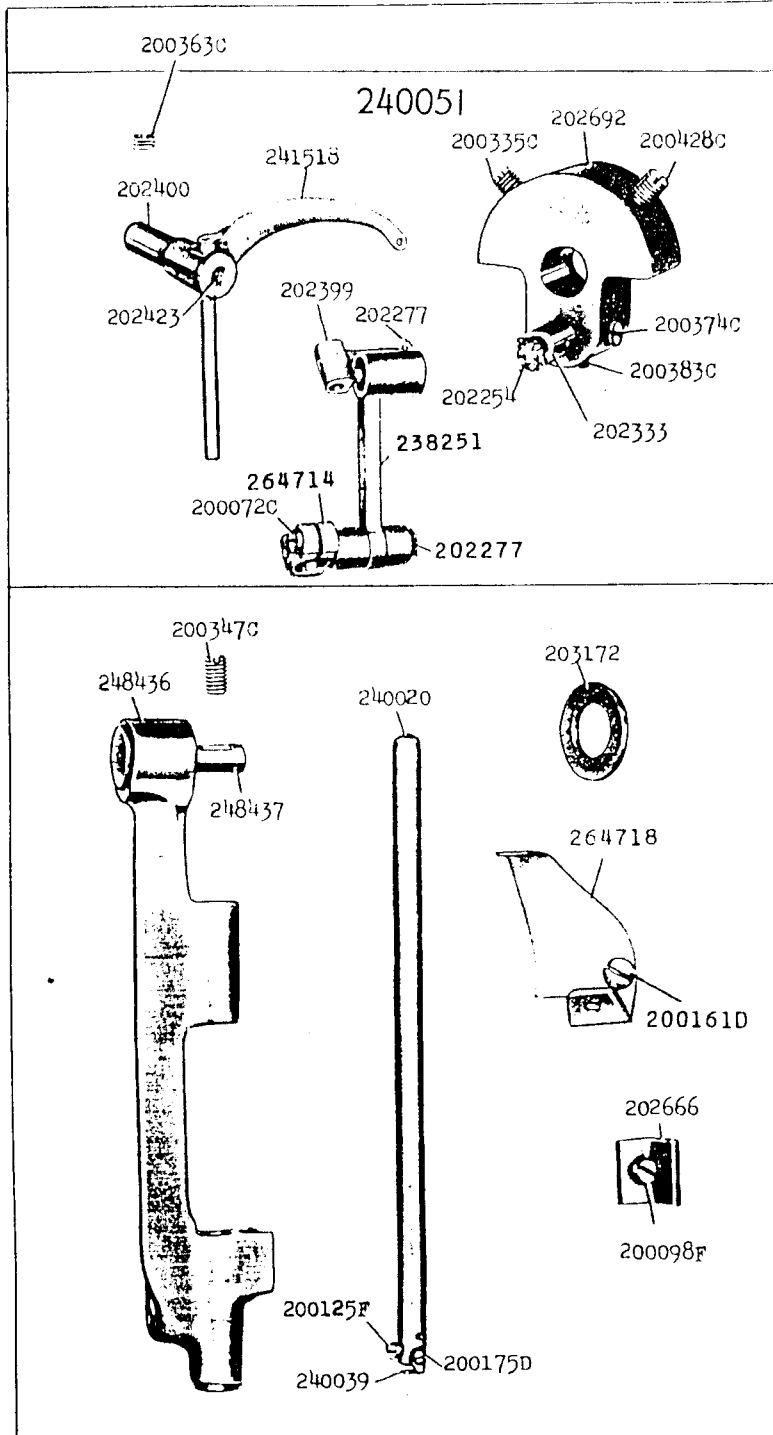
240242



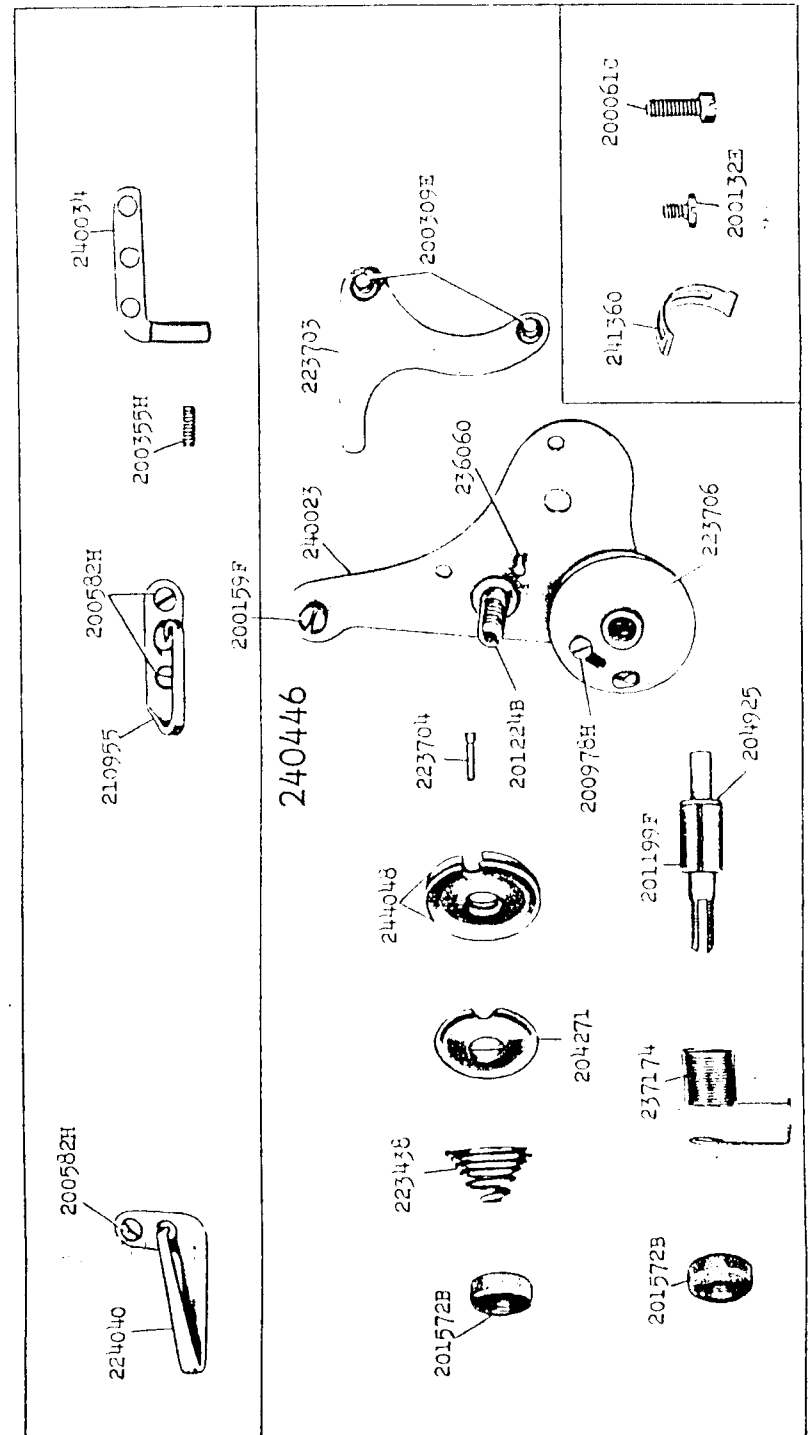
16618 - 5/8

20006E

16619 - 1/2

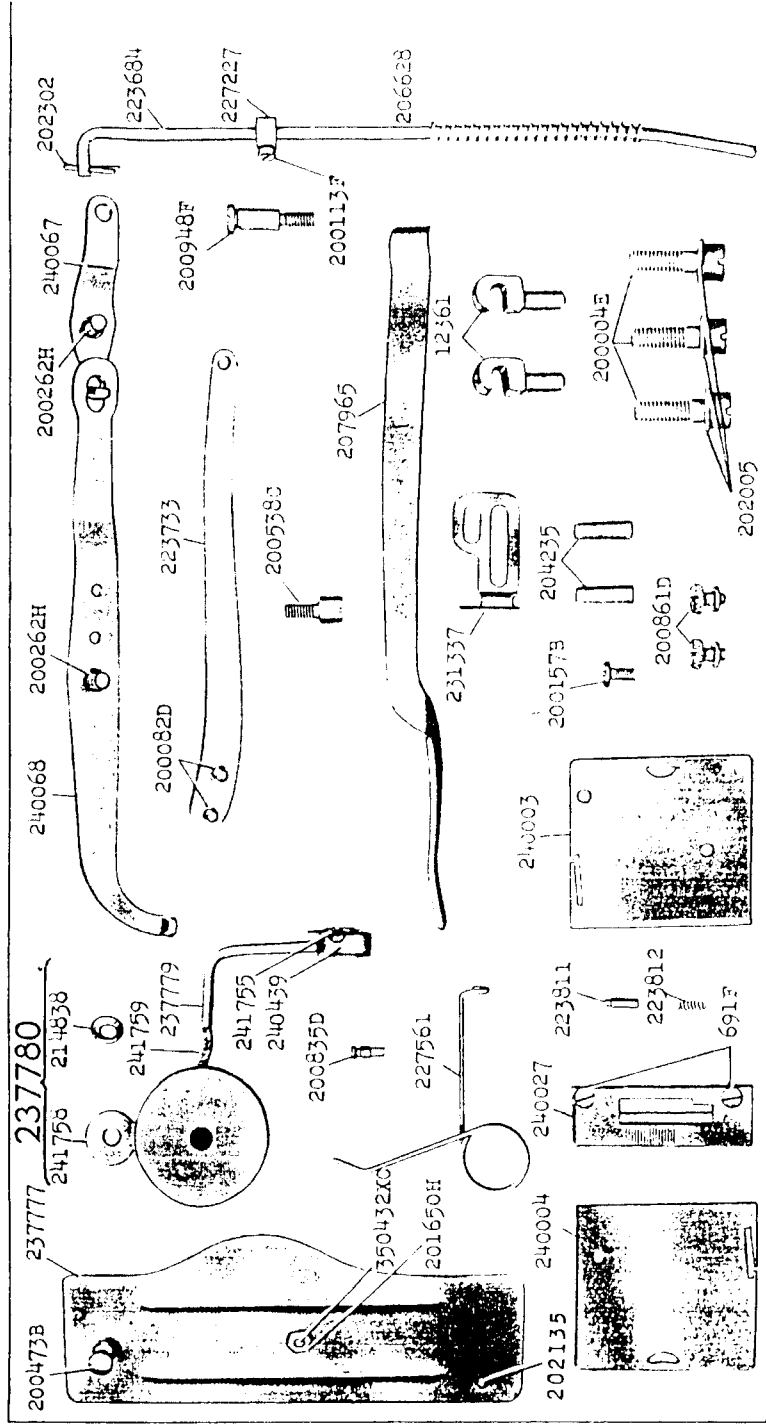


16620 - 2/3

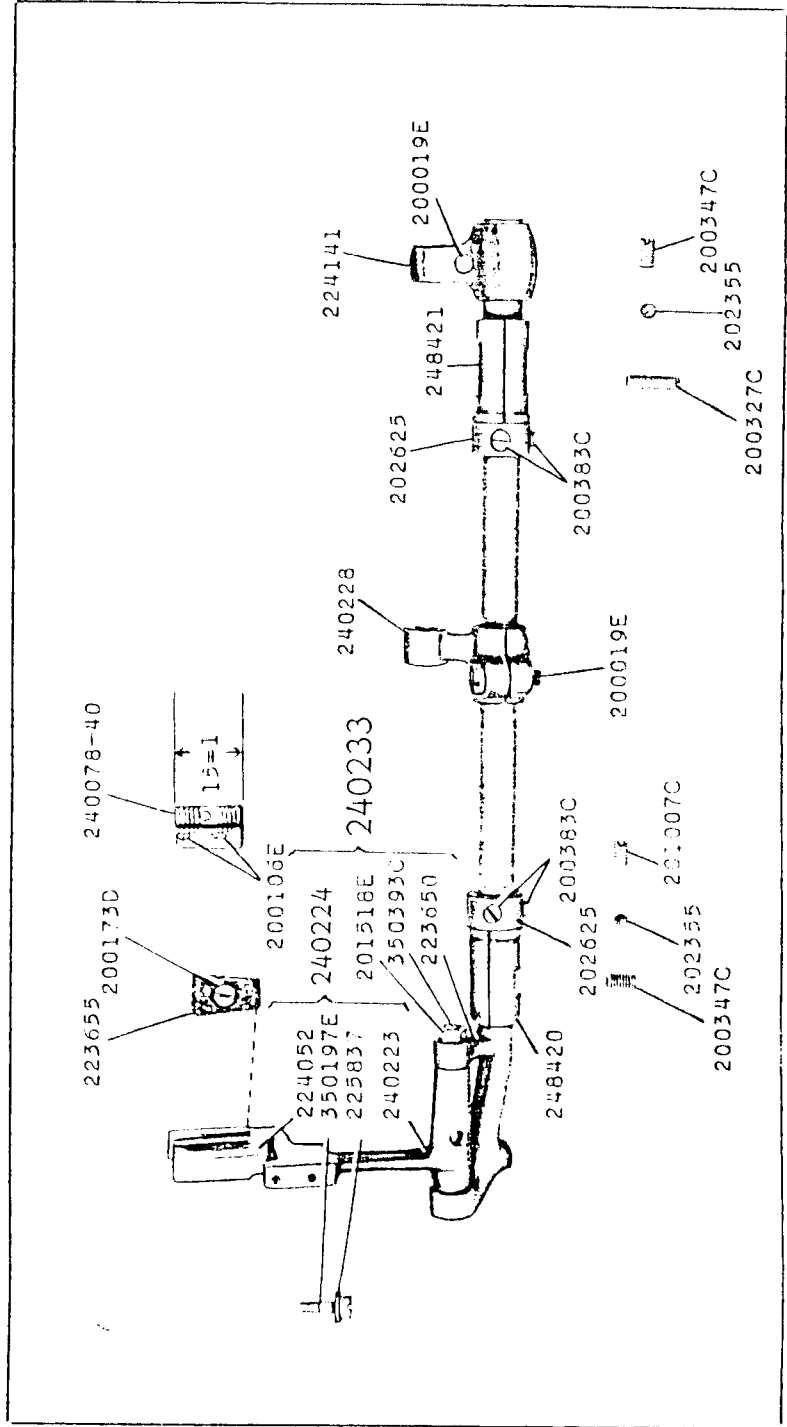




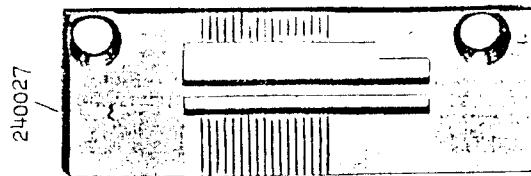
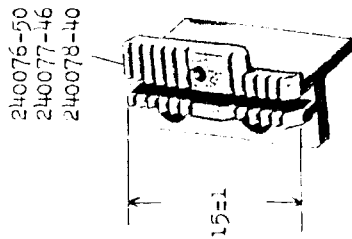
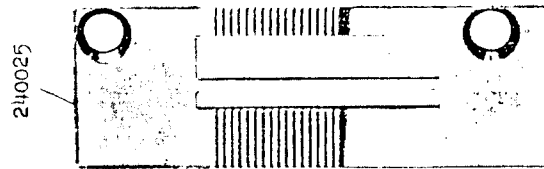
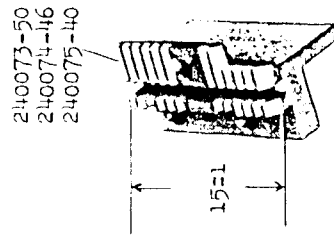
16621 - 3/8



16622 3/8



16623



17620 - 1/3

227955

