

SINGER
136W111

Form 2675w

(141)

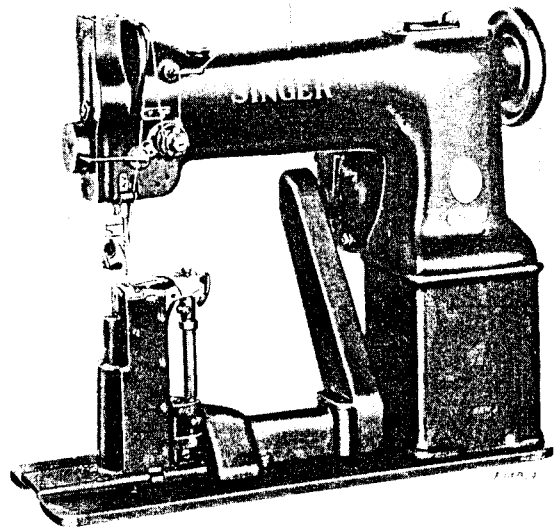
Printed in U. S. A.

SINGER

136w III

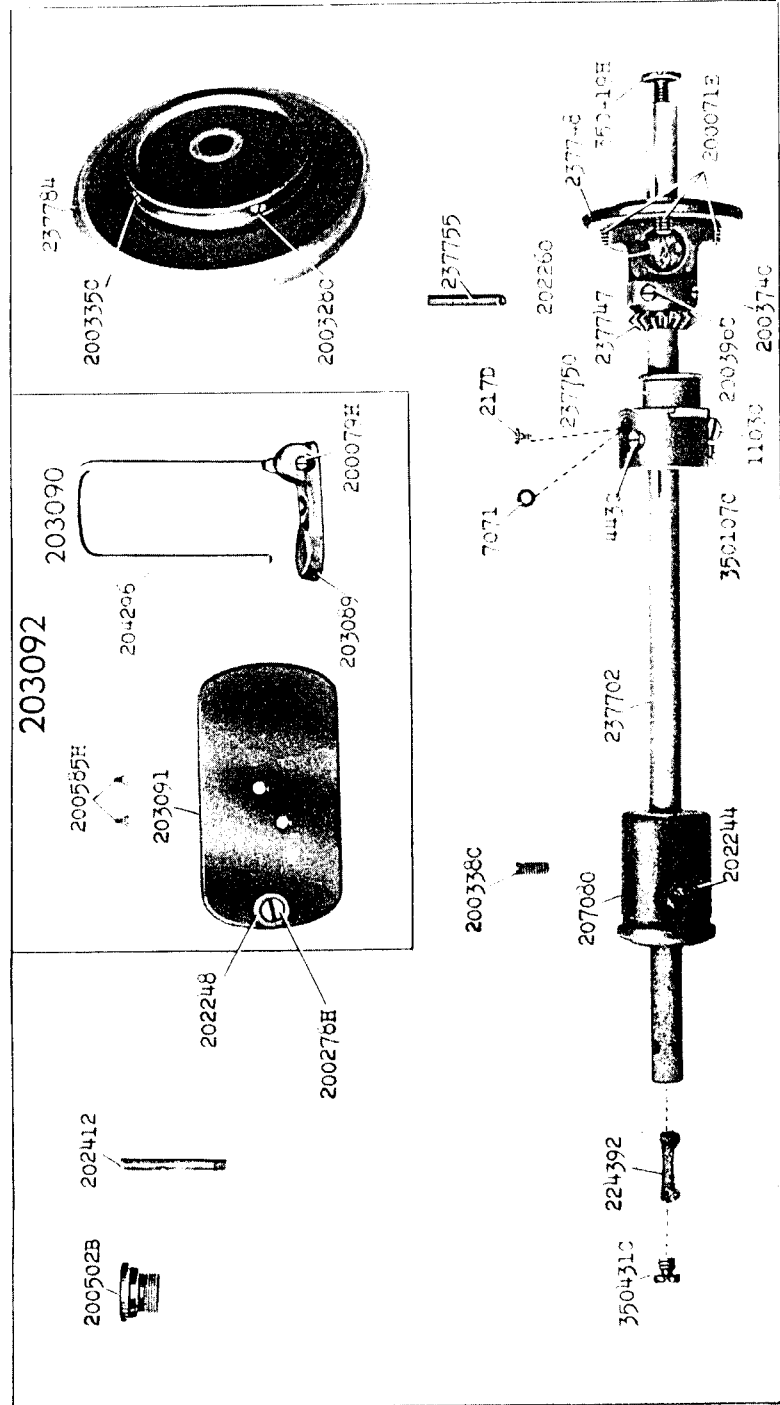


THE SINGER MANUFACTURING COMPANY



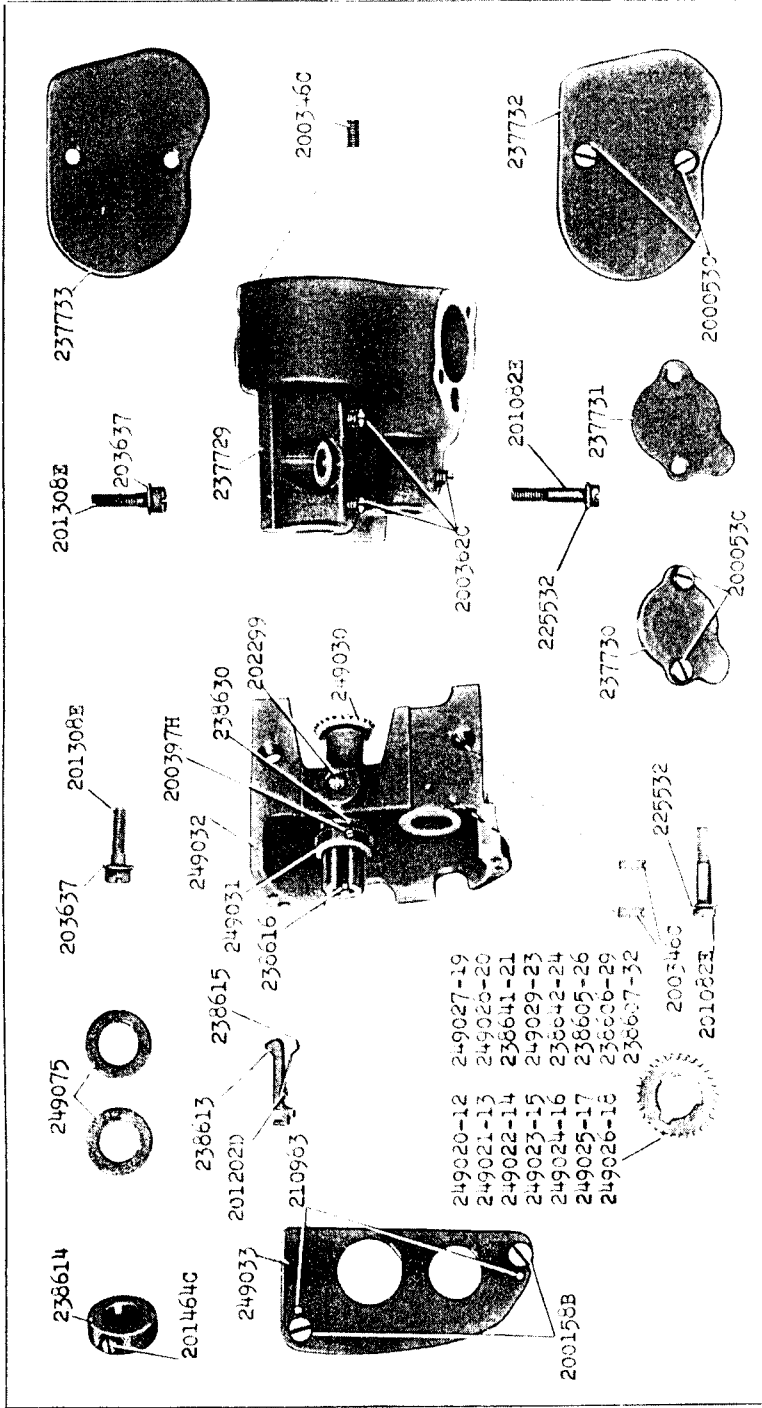
Copyright, U. S. A., 1938, 1939, 1940 and 1941
 by The Singer Manufacturing Co.
 All Rights Reserved for all Countries

15738 - 1/3



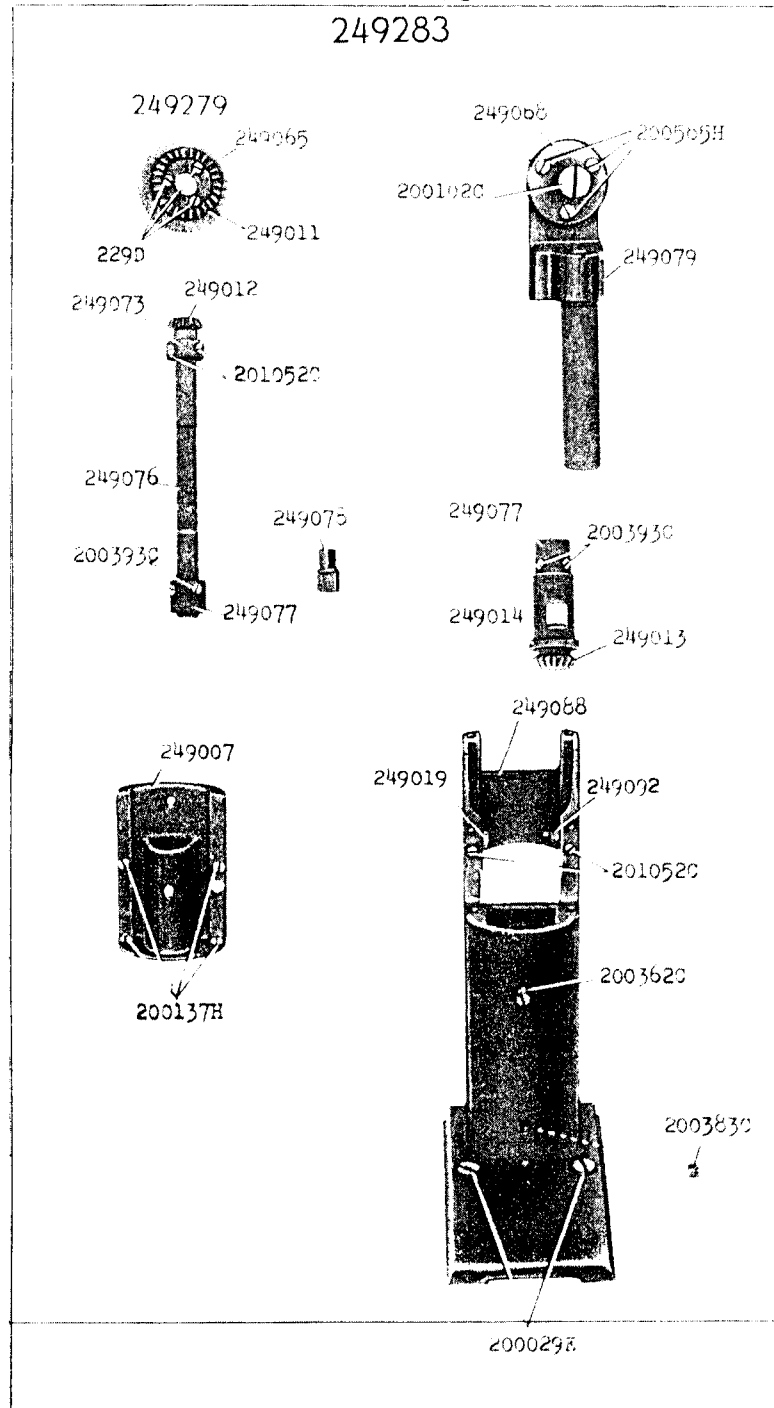
2674c 2075-7

15739 - 1/3



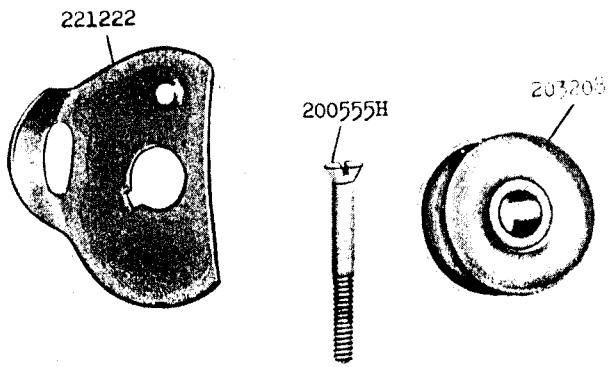
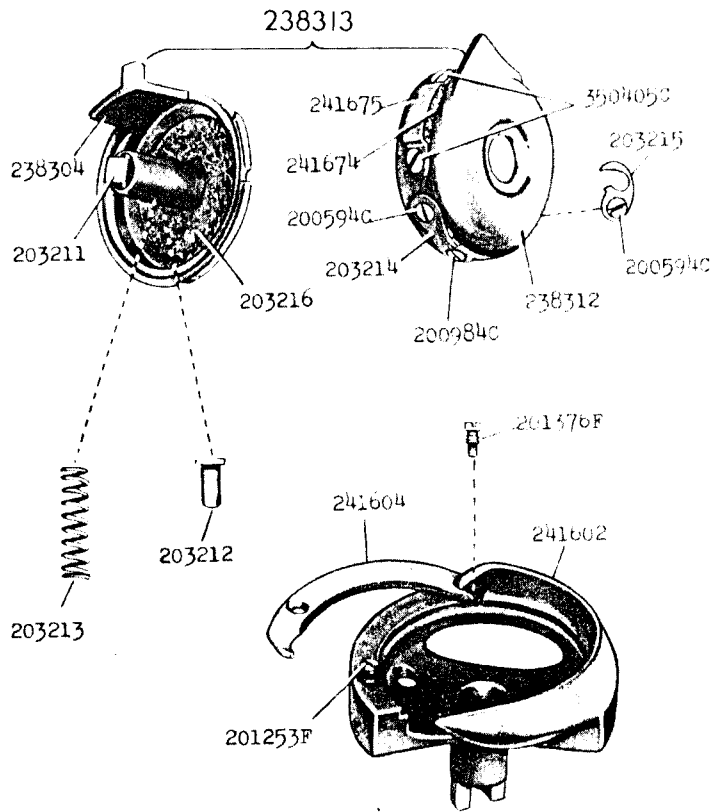
15741 - 1/3

249283

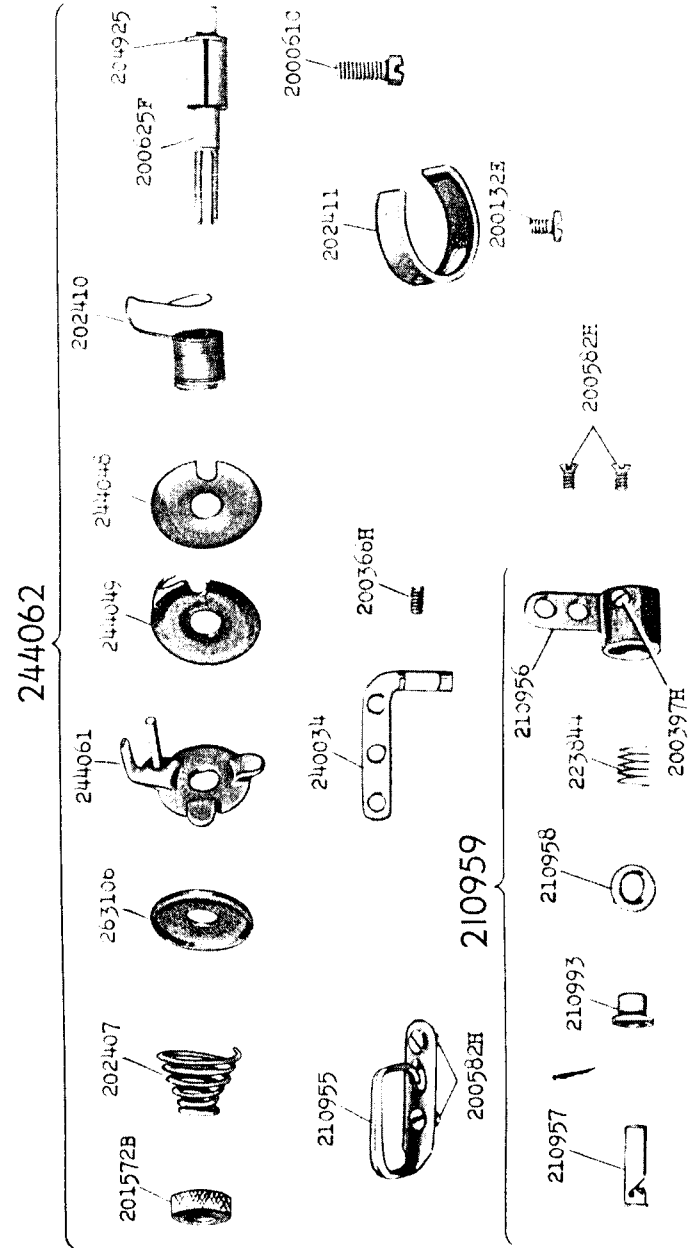


2674926

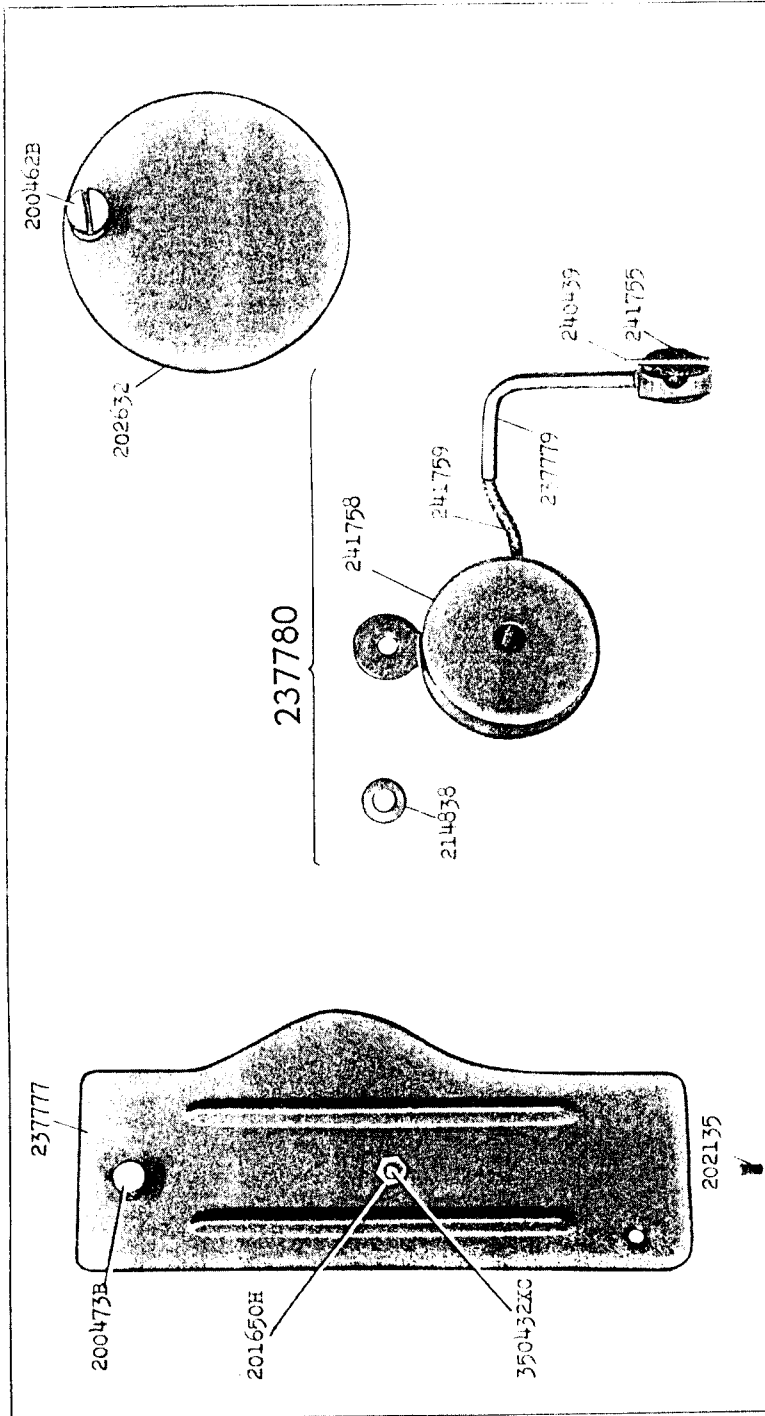
15743
249095



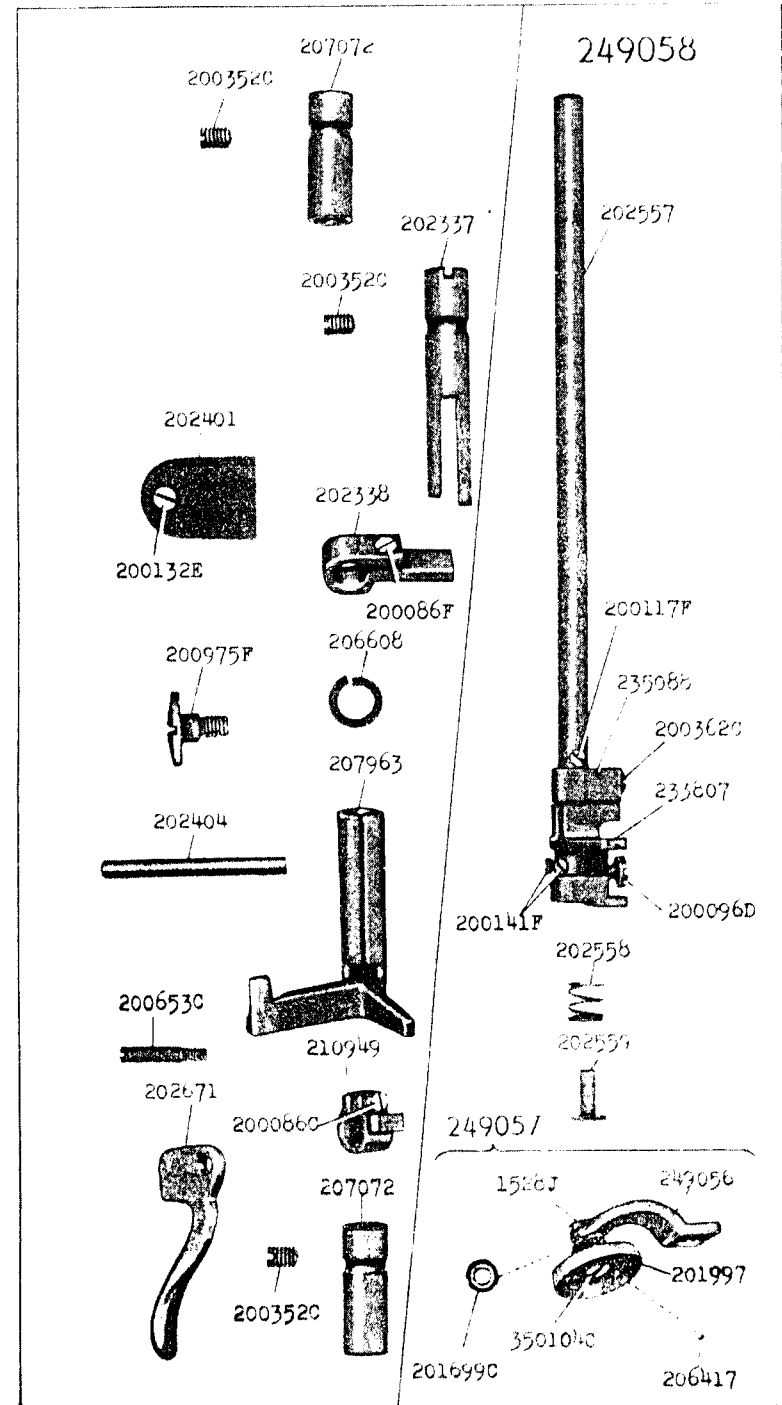
15744 - 2/3



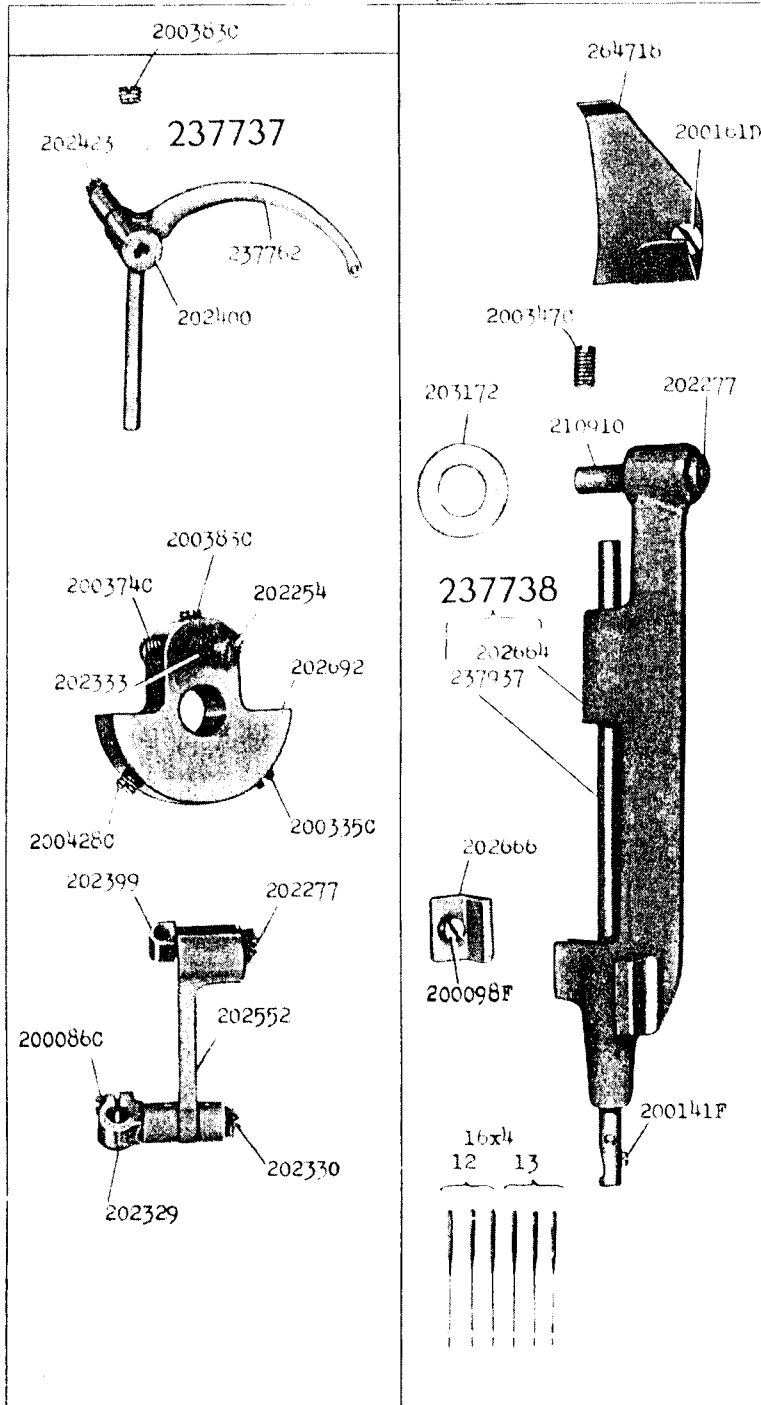
15745 - 1/2



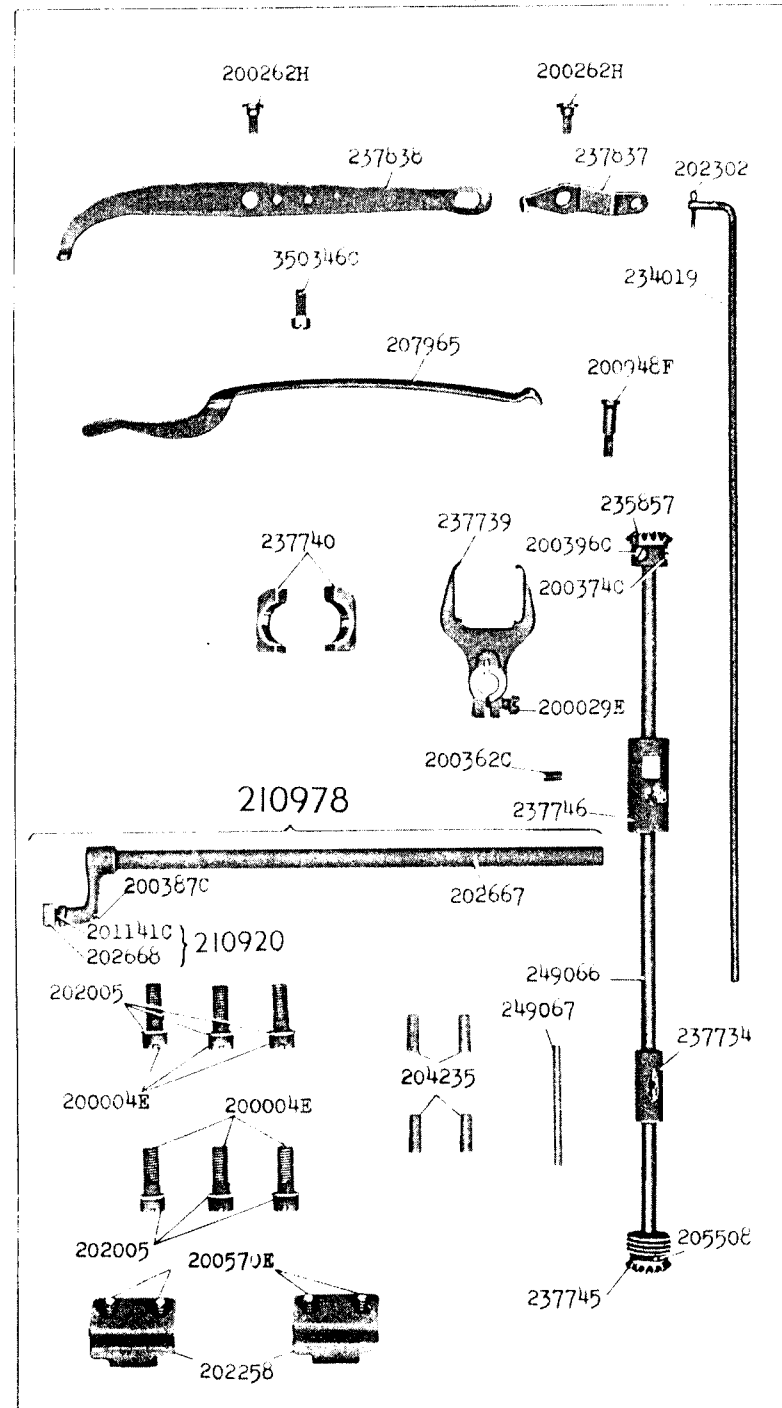
15746 - 1/2



15747 - 1/2

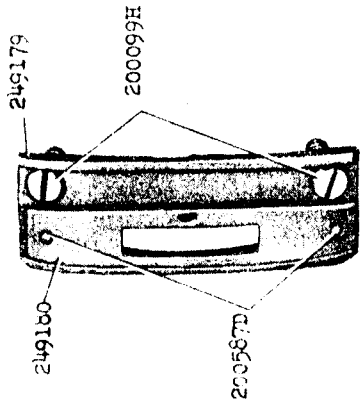


15748 - 1/4

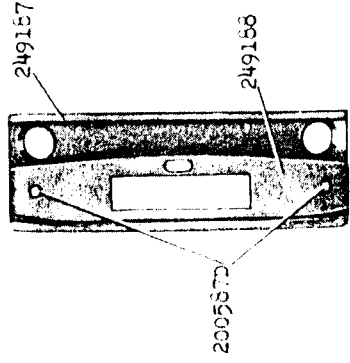


15749

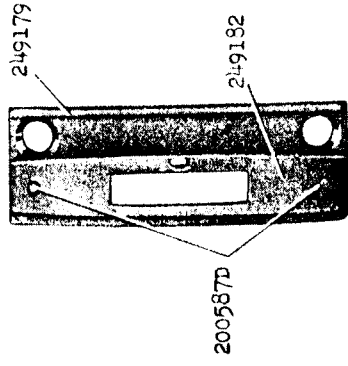
249181 .045



249189 .045

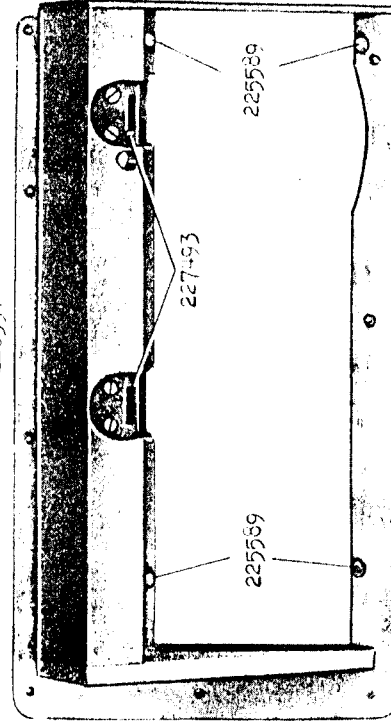


249183 .035

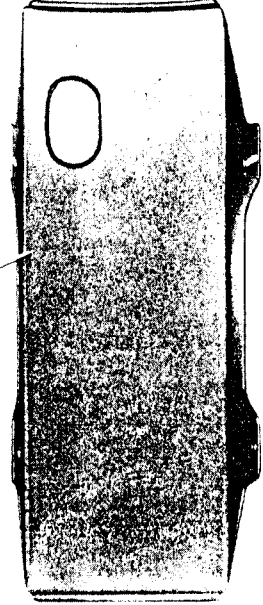


15751 - 1/6

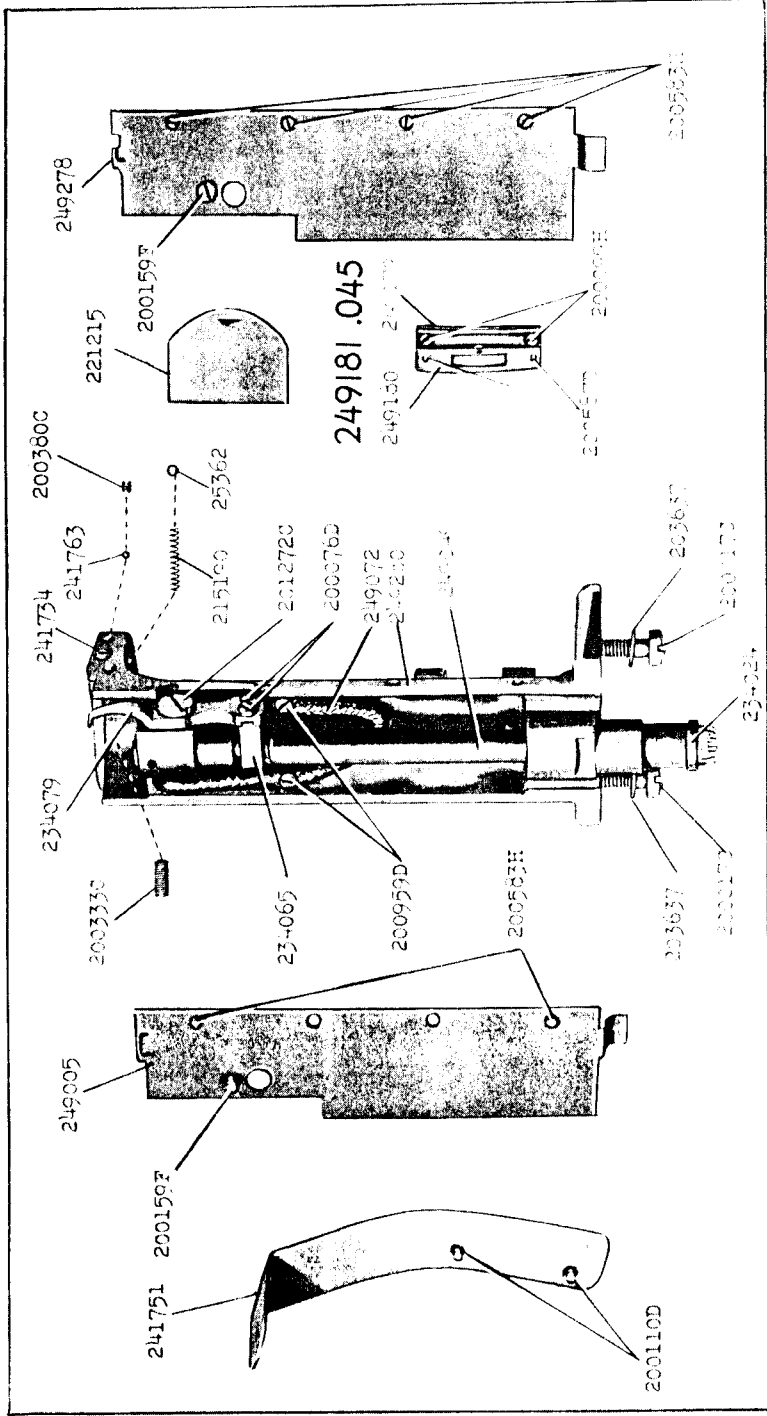
225357



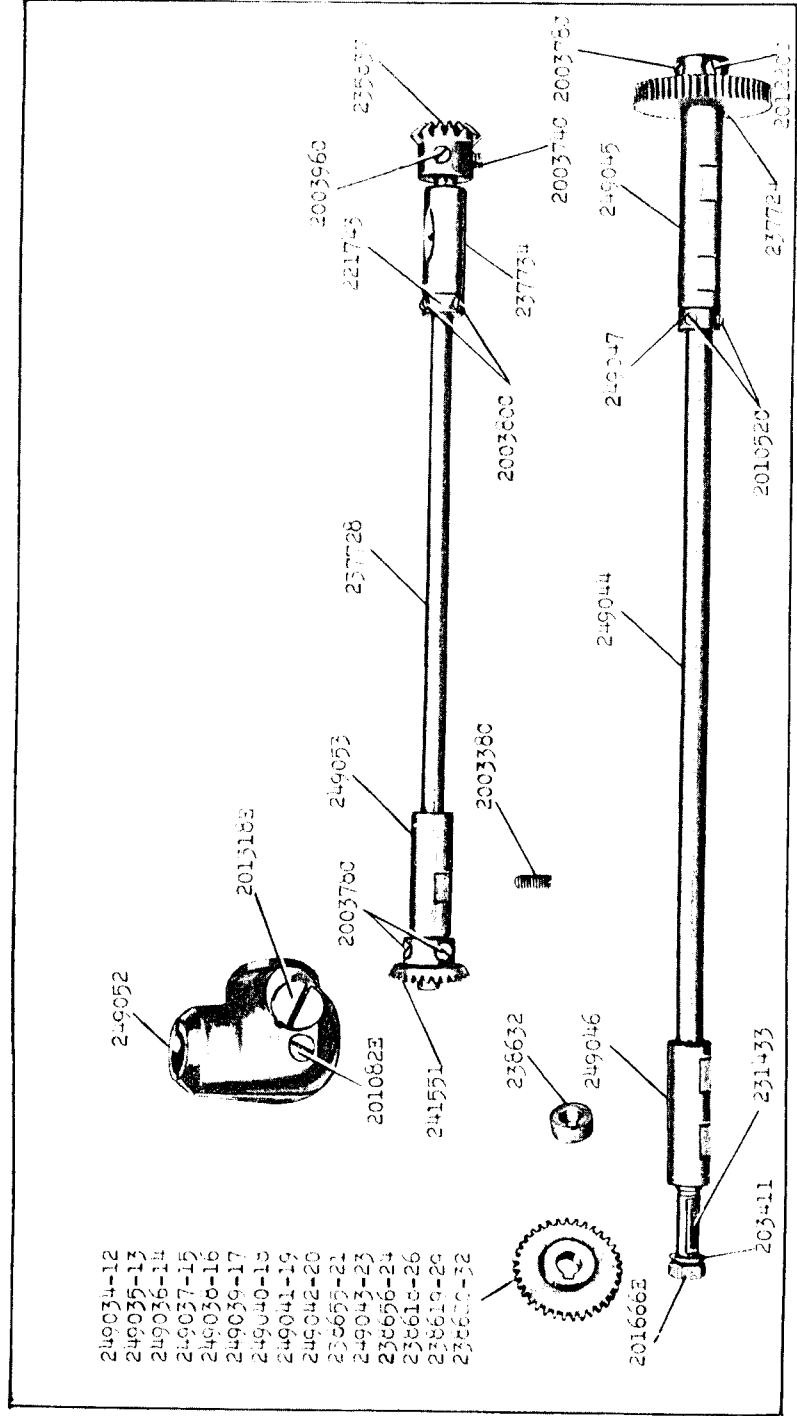
225208



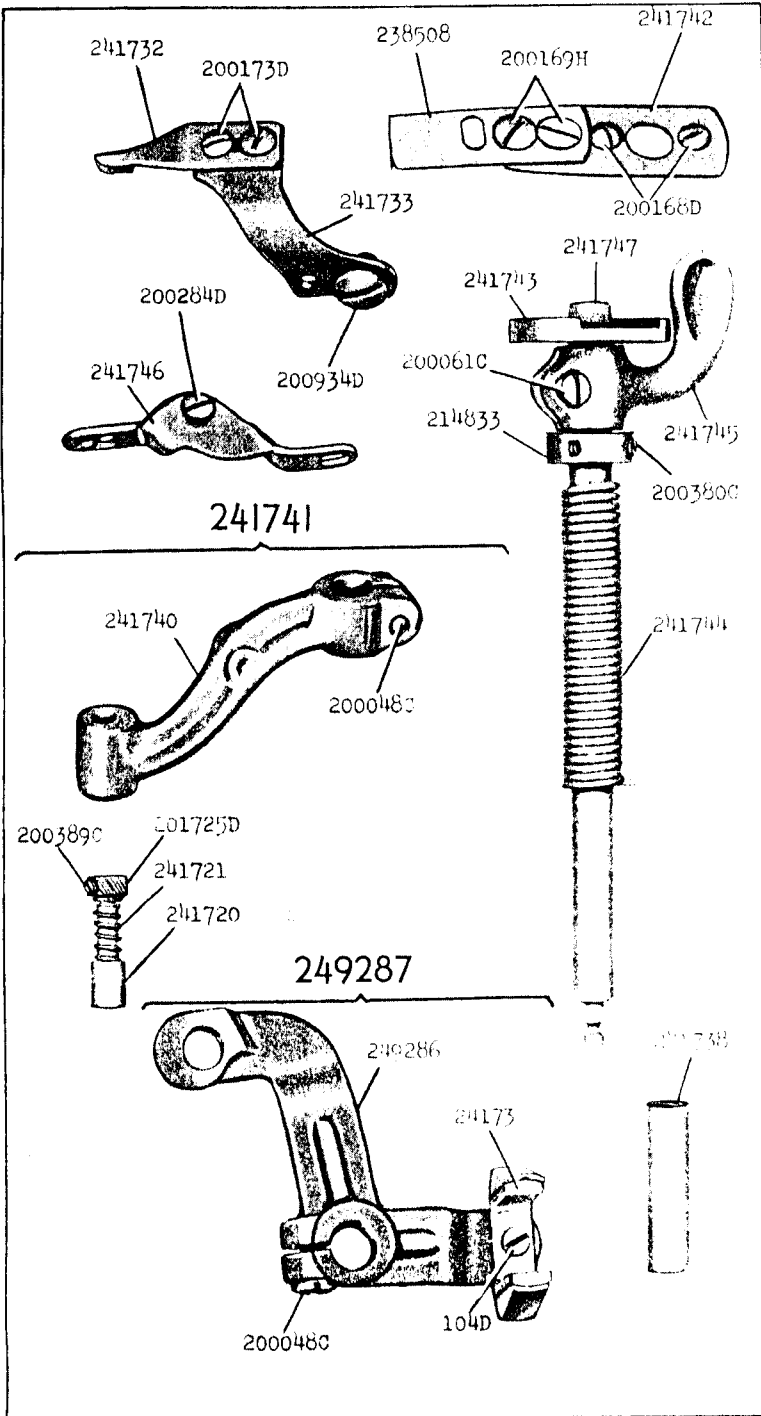
15752 - 3/8



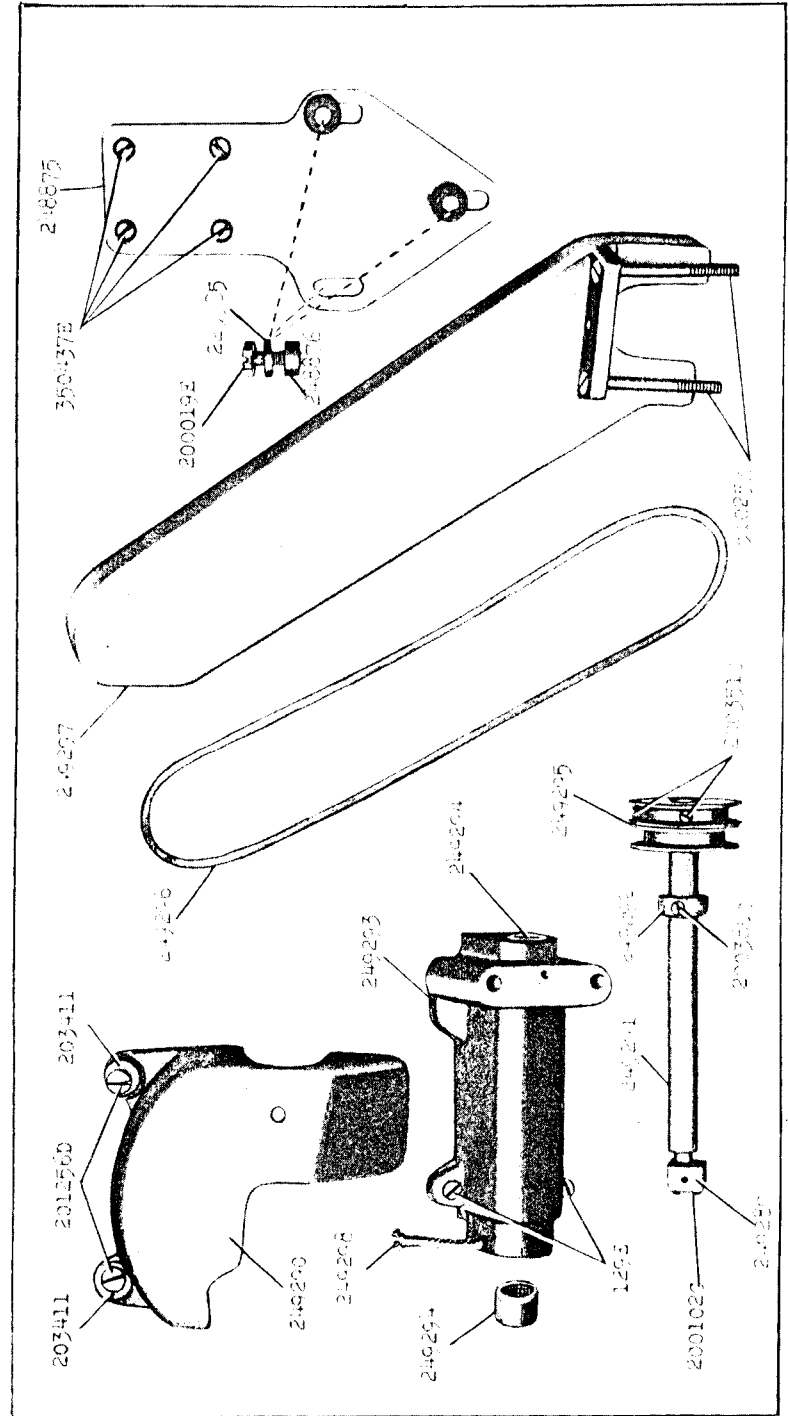
15753 - 3/8



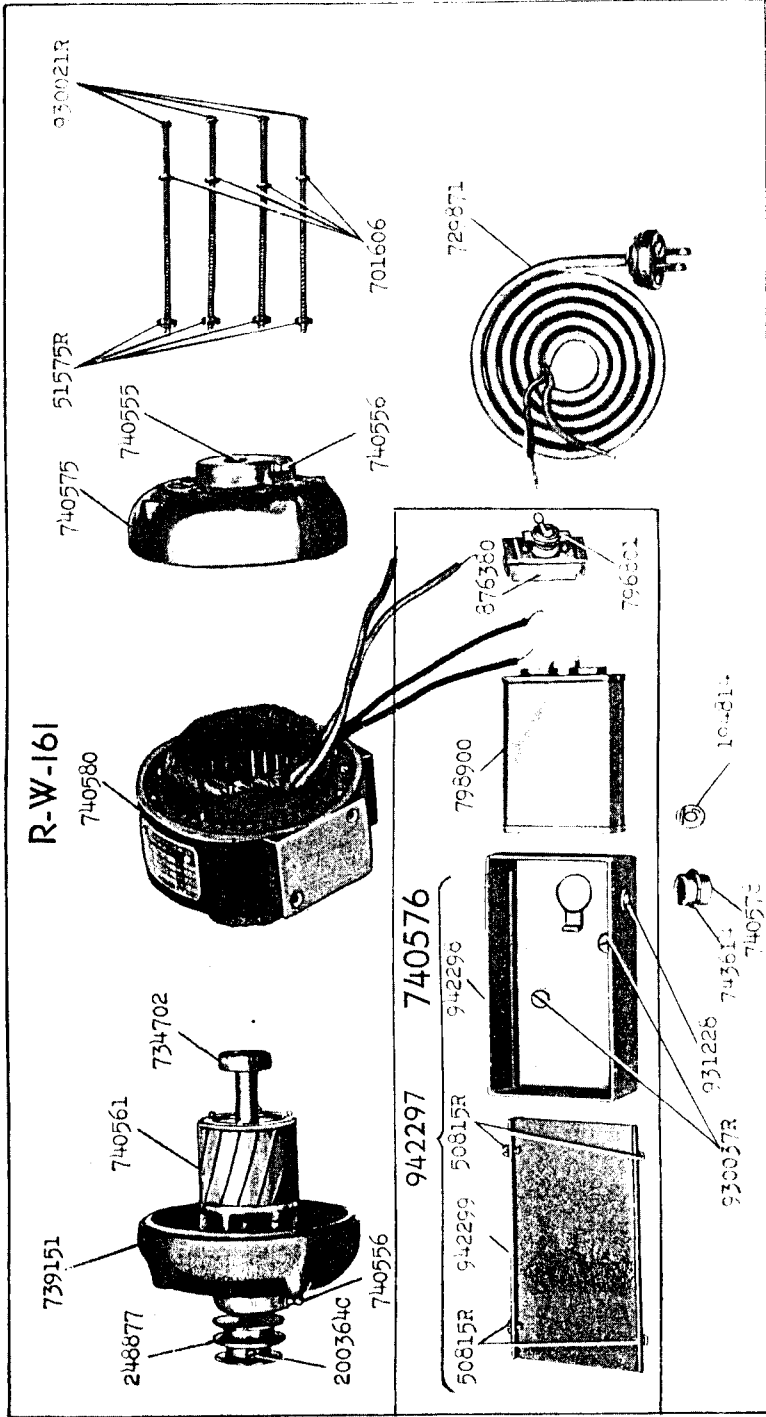
15754 - 5/8



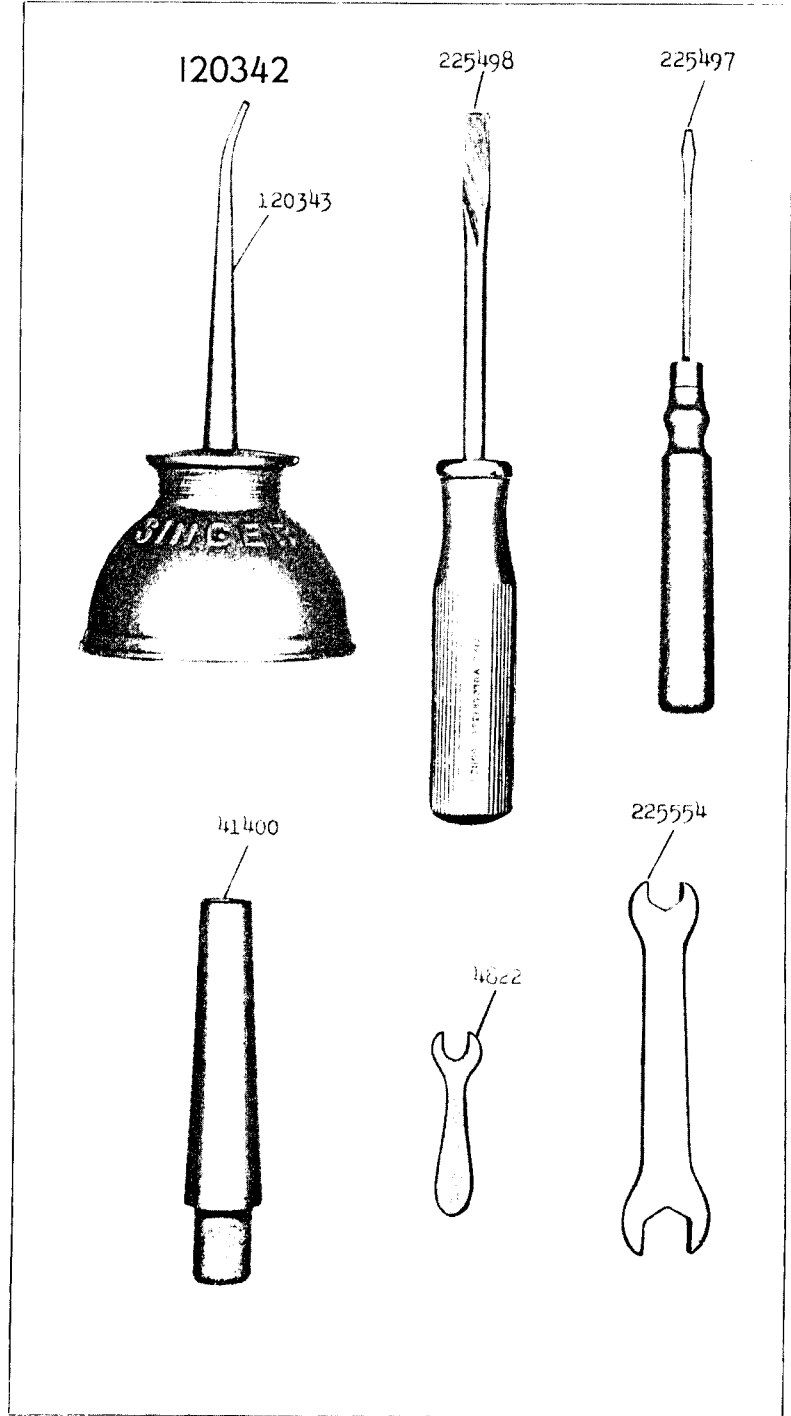
15755 - 1/3



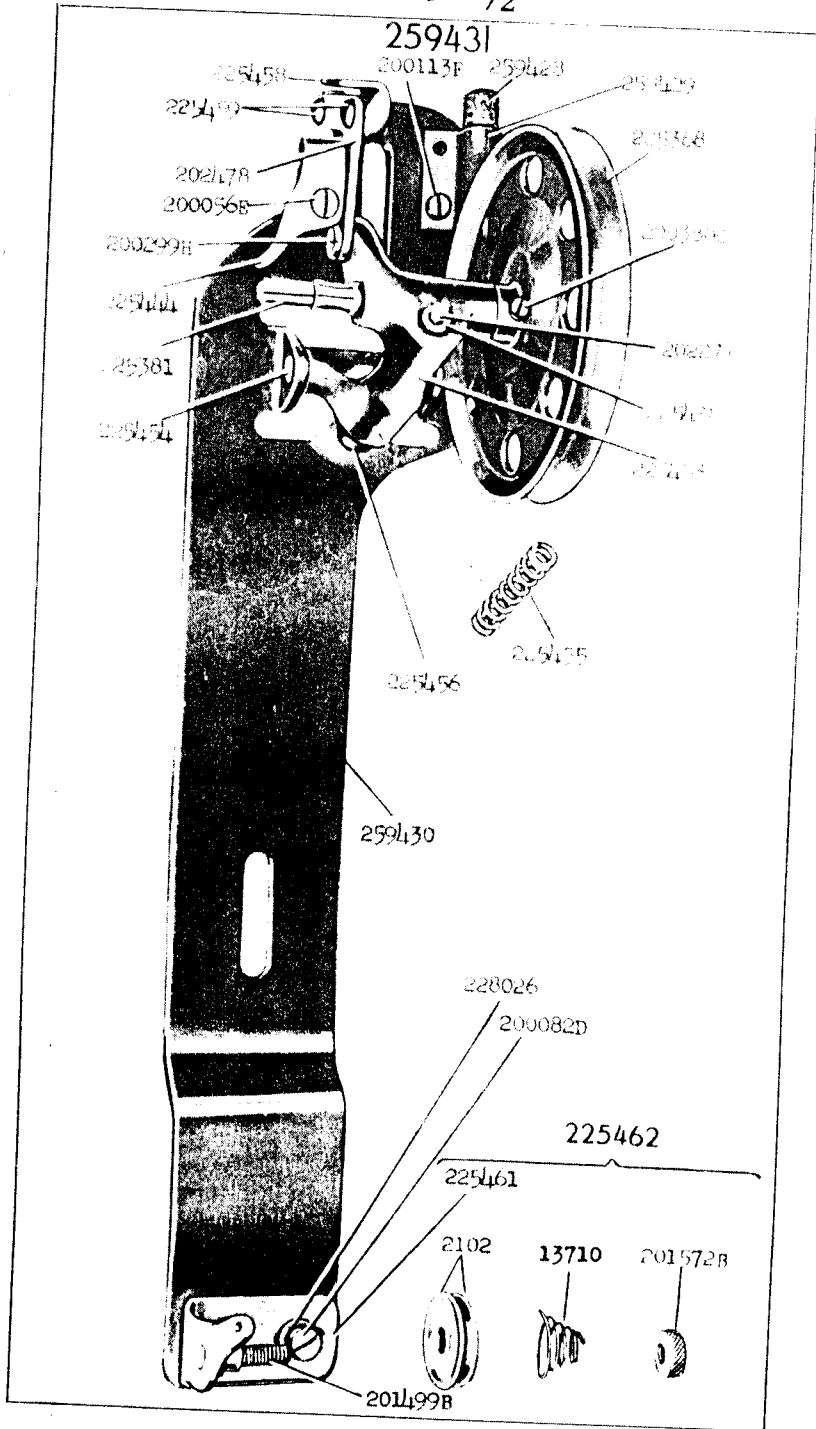
15756 - 1/4



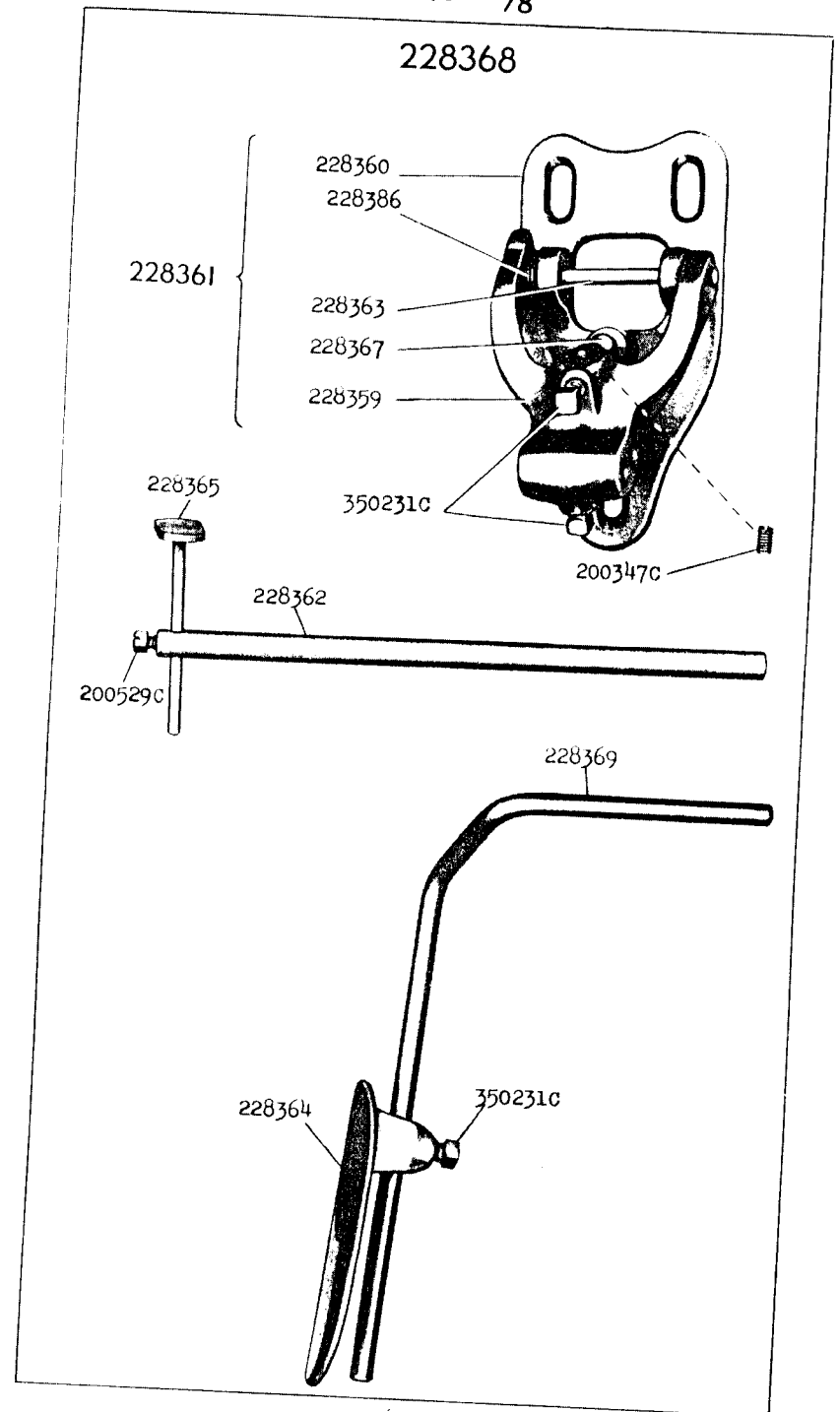
15757 - 1/2



16615 - 1/2



16643 - 3/8



17640 - 1/3

259283

