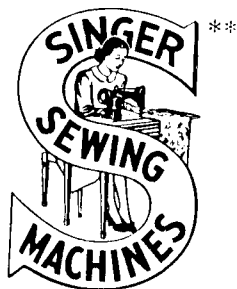


SINGER
451K5

ILLUSTRATED
LIST OF PARTS
FOR
No. 451K5 Machine



**A Trade Mark of THE SINGER MANUFACTURING CO.

INSTRUCTIONS FOR OILING

BEFORE STARTING THE MACHINE, fill reservoir in base to "high" mark. Inspect often enough to keep oil level from going below "low" mark in base.

To ensure easy running and prevent unnecessary wear of the parts which are in movable contact, the machine requires oiling and when in continuous use, "TYPE A" or "TYPE C" OIL, sold only by Singer Sewing Machine Company, should be applied at the beginning of each working day to all oil holes marked "OIL."

"TYPE C" OIL should be used when an oil is desired which will produce a minimum of stain on fabrics, even after a long period of storage.

INDEX

	Page
Accessories	12
Bobbin Winders	12
Knee Lifter	13
Machine No. 47 K5	5
Miscellaneous parts	14
Numerical List of Parts	15
Thread Unwinder... ..	14

INSTRUCTIONS FOR ORDERING

In ordering from this List, the prefix and affix letters with the part number MUST BE quoted exactly as they are shown in the first column.

A number always indicates the same part in whatever List it may appear, or for whatever machine.

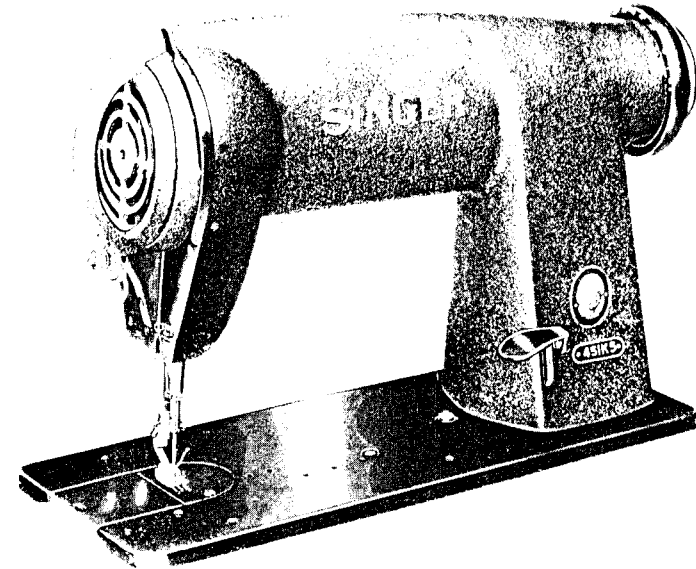
The affix letters (where shown) indicate the style of finish, as follows:—

- A. Hardened, Polished, Nickel Plated and Buffed.
- A.A. Buffed and Chromium Plated.
- A.B. Hardened, Polished, Buffed and Chromium Plated.
- A.C. Brown Baking Enamel Finish.
- A.D. Grey Baking Enamel Finish.
- A.E. Hardened, Bright Rumbled and Nickel Plated.
- A.F. Hardened, Bright Rumbled and Nickel Plated, Bright Rumbled and Chromium Plated.
- A.J. Polished, Nickel Plated and Chromium Plated.
- A.K. Hardened, Polished, Nickel Plated and Chromium Plated.
- A.L. Heat Treated for Toughness.
- A.L.D. Heat Treated for Toughness and Polished.
- A.L.X. Heat Treated for Toughness and Black Oxide.
- A.M. Beige Synthetic Enamel.
- A.N. Red Synthetic Enamel Finish.
- A.P. Blue Synthetic Enamel Finish.
- A.P.P. Grey Wrinkle Finish.
- A.R. Beige Wrinkle Finish.
- A.S. Black Moulded Phenolic.
- A.T. Beige Moulded Phenolic.
- A.U. Brown Moulded Phenolic.
- A.V. Black Synthetic Enamel.
- A.W. Hardened and Flame Coated with Tungsten Carbide.
- A.X. Grey Dipping Enamel.
- B. Polished, Nickel Plated and Buffed.
- C. Hardened only.
- C.R. Hardened and Phosphoric Treated.
- D. Polished only.
- E. Soft, not Polished.
- F. Hardened and Polished.
- F.J. Hardened, Polished and Nickel Plated.
- G. Bright Rumbled and Nickel Plated.
- H. Blued.
- J. Nickel Plated only.
- K. Hardened and Nickel Plated.
- L. Brass Plated.
- M. Oxidized.
- N. Japanned, Dull.
- P. Japanned, Bright.
- P.P. Wrinkle Finish.
- R. Phosphoric Treated.
- S. Cadmium Plated.
- T. Copper Plated.
- T.A. Hardened, Polished, Copper and Nickel Plated and Buffed.
- T.B. Copper and Nickel Plated and Polished.
- T.J. Copper and Nickel Plated only.
- T.K. Hardened, Copper and Nickel Plated.
- T.L. Copper and Brass Plated.
- T.M. Copper Plated and Oxidized.
- U. Zinc Plated.
- V. Silver Plated.
- W. Polished and Nickel Plated.
- X. Black Oxide for Iron and Steel.
- X.C. Hardened and Black Oxide for Iron and Steel.
- Y. Black Nickel Plated only.
- Z. Chromium Plated.
- Z.A. Hardened, Polished, Nickel Plated, Buffed and Chromium Plated.
- Z.B. Polished, Nickel Plated, Buffed and Chromium Plated.
- Z.C. Hardened and Chromium Plated.
- Z.D. Polished and Chromium Plated.
- Z.G. Bright Rumbled, Nickel Plated, Bright Rumbled and Chromium Plated.
- Z.J. Nickel and Chromium Plated.
- Z.T. Copper and Chromium Plated.

Parts marked with an asterisk (*) are furnished only when the repairs are made at Factory.

LIST OF PARTS COMPLETE

FOR



MACHINE No. 451K5

SINGLE ROTARY THREAD TAKE-UP.

HAND OPERATED REVERSE FEED MECHANISM.

HIGH SPEED. LOCK STITCH. SINGLE NEEDLE. SHORT ARM.

FOR STITCHING LIGHT AND MEDIUM WEIGHT FABRICS

No.	Plate	Name
*276186	---	Arm
276002	18491	" Cover (back)
200053h	18491	" " (") Screw (2)
204235	18491	" Position Pin (2)
200004e	18491	" Screw (3)
202005	18491	" " Washer (3)
*276003	18488	" Shaft
276004	18488	" " 276003 with 200333c, 200378c, 270005 and 276021 to 276023
270004	18488	" " Ball Bearing (back)
270005	18488	" " " " (front)
270926	18488	" " Connection Belt (reinforced neoprene)

No.	Plate	Name
271127	18488	Arm Shaft Connection Belt Pulley with 200363al, 350492c and two 214206
350492c	18488	" " " " " Position Screw
200363al	18488	" " " " " Set Screw
214206	18488	" " " " " Spring Flange
*276187	-	Bed
270009	18491	" Slide
276007	18479	Face Plate with 276054 and four 200586h
276054	18479	" " Thread Guard
200586h	18479	" " " " Screw
350503alx	18479	" " Screw (8)
276008	18490	Feed Bar
270012	18490	" " Centre (2)
200394c	18490	" " " Set Screw
276058	18490	" " Lubricating Felt
52266	18490	" " Slide Block
52267	18490	" " " " 52266 with 125060
*125060	18490	" " " " Stud
52031	2626	" Dog, 19 teeth (22 teeth to the inch) for 52033
50117e	2626	" " Screw (2)
276153	18490	" Driving Connection
276154	18490	" " " 276153 with 270016
276168	18490	" " " Crank with 200040e
350507e	18490	" " " " Hinge Screw
201531e	18490	" " " " " " Nut
200040e	18490	" " " " Pinch Screw
276169	18490	" " " Link
276170	18490	" " " " 276169 with 270653
276171	18490	" " " " Hinge Pin with 214071
214071	18490	" " " " " Oil Packing (wick)
200394c	18490	" " " " " Set Screw
270653	18490	" " " " Needle Bearing
270016	18490	" " " Needle Bearing
270017	18489	" " Eccentric
276188	18489	" " " Adjusting Disc
270137	18489	" " " " Spring
276009	18489	" " " " Collar with 201220e
201220e	18489	" " " " " Set Screw
210231	18489	" " " Friction Gib
350562xc	18489	" " " " Adjusting Screw
350578xc	18489	" " " " " Set Screw
276180	18489	" " Flange with 200333c, 200346c, two each 350562xc and 350578xc

No.	Plate	Name
200333c	18489	Feed Driving Flange Position Screw
200346c	18489	" " " Set Screw
270940	18490	" " Rock Shaft with two each 200394c and 270942
270941	18490	" " " " Centre (2)
201254c	18490	" " " " " Set Screw (2)
270942	18490	" " " " Insert (nylon)
270013	18490	" Lifting Connection
270014	18490	" " " 270013 with 270016
270015	18490	" " " Crank with 200040e
200040e	18490	" " " " Pinch Screw
200545c	18490	" " " Hinge Screw
201522e	18490	" " " " " Nut
270016	18490	" " " Needle Bearing
270023	18489	" " Eccentric with 200382c and 201220e
201220e	18489	" " " Position Screw
200382c	18489	" " " Set Screw
270943	18490	" " Rock Shaft with 52267 and two 270942
270944	18490	" " " " Centre (2)
201254c	18490	" " " " " Set Screw (2)
270942	18490	" " " " Insert (nylon)
270140	18489	" Regulating Stud
240245	18489	" " " Retaining Spring
270026	18489	" " " Spring
276157	18490	" Reversing Lever with 350477c
276158	18490	" " " Connection
201107e	18490	" " " " Hinge Screw (lower)
350509e	18490	" " " " " " (upper)
201520h	18490	" " " " " " (") Nut
276160	18490	" " " Handle
200575h	18490	" " " " Screw
201529h	18490	" " " " " Nut
276159	18490	" " " Hinge Pin
350477c	18490	" " " " " Set Screw
350569	"	" " Stop Pin
201524	"	" " " Nut
276181	18490	" " Mechanism Support Link
276182	18490	" " " " Stud
200346c	18490	" " " " Set Screw
276189	18490	" " Shaft with 276191
276162	18490	" " " Bushing (back)
276179	"	" " " (front)
200382c	18490	" " " Set Screw (2)
276163	18490	" " Crank with 200040e and 200386c
276164	18490	" " Hinge Stud with 276046
276046	18490	" " " " " Oil Packing (wick)
200386c	18490	" " " " Set Screw

No.	Plate	Name			
276165	18490	Feed Reversing Shaft Crank Link with 200394c
200040e	18490	" " " " Pinch Screw
276190	18490	" " " " Spring
276191	18490	" " " " Stud
276014	18478	Knee Lifter Lifting Link
200293al	18478	" " " " Hinge Screw
276015	18491	" " " " Rod with 202302
202302	18491	" " " " Cotter Pin
276016	18491	" " " " Spring
227227	18491	" " " " " Collar with 200113f
200113f	18491	" " " " " Set Screw
276017	18491	" " Rock Frame
200679f	18491	" " " " Hinge Screw (back)
200272c	18491	" " " " " (front)
276192	18488	Machine Pulley (aluminium alloy casting) for "X" belt (outside diam. of belt groove 2.9 in.) (rim diam. 4 in.) with 350540c and 350541c
276193	18488	Machine Pulley 276192 with 270004
350540c	18488	" " Position Screw
350541c	18488	" " Set Screw
270050	18478	Needle Bar with 350445f
270124	18478	" " Bushing (lower)
270261	18478	" " " (upper)
350550al	18478	" " " (") Set Screw
276018	18478	" " Connecting Link
276019	18478	" " " " 276018 with 270266
270055	18478	" " " " Guide Block
200054e	18478	" " " " " " Screw (2)
276020	18478	" " " " Hinge Stud
276021	18488	" " " " " Oiling Felt
276022	18188	" " " " " " " Flange
276053	18488	" " " " " " " " Oil Leader Tube
200374c	18488	" " " " " " " Set Screw
270266	18478	" " " " Needle Bearing
270305	18478	" " " " Thrust Washer
270057	18478	" " " " Stud with 200086c and 202330
202330	18478	" " " " " Oil Packing (wick)
200086c	18478	" " " " " Pinch Screw
*276023	18488	" " Crank with two 200374c
200333c	18488	" " " " Position Screw
200378c	18488	" " " " " Check Screw
270058	18478	" " Oiling Felt
350445f	18478	" Set Screw

No.	Plate	Name			
276024	18478	Presser Bar with 176x
276025	18478	" " Ball, $\frac{7}{32}$ " diameter
276026	18478	" " Bushing
276027	18478	" " Lifter
350442c	18478	" " " Hinge Screw
276028	18478	" " Lifting Releasing Lever Bracket
276029	18478	" " Position Guide with 350411c
350411c	18478	" " " " Pinch Screw
276030	18491	" " Spring
350435c	18491	" " " " Screw (pressure regulating)
350499xc	18491	" " " " Stud
62527	2626	" Foot Hinge Pin
24544	2626	" " Plate
24982	2626	" " Shank
26231	2626	" " Spring
24983	2626	" " (spring hinged) complete, Nos. 24544, 24982, 26231 and 62527
176x	18478	" " Screw
276031	18479	Rotary Take-up
276932	18479	" " Adjusting Disc
276033	---	" " " " 276032 with 276035 and two 200582h
276034	18479	" " Clamping Plate
200567h	18479	" " " " Screw (2)
276035	18479	" " Counter Balance
200582h	18479	" " " " Screw
276036	18479	" " Guard
276039	18479	" " " Bracket
200031x	18479	" " " " Screw (long)
200069x	18479	" " " " " (short)
276037	18479	" " " " Cover
276056	18479	" " " " Friction Plate
200166h	18479	" " " " " " Screw
276038	18479	" " " " Grill
200138d	18479	" " " " " Screw (3)
200263xc	18479	" " " " Hinge Screw
67425	18479	" " " " " " Spring Washer
230743c	18479	" " " " " " Thrust Washer
350586xc	18479	" " " " " Screw (2) ?
200577al	18479	" " " " " Screw (3)
276043	18479	" " " " Spacer
270868	18379	Rotating Hook with 143301, 270878 and two 1253al
270869	18379	" " 270868 with 270874xc and four 1053e
270870	18379	" " 270869 with 270872, 270876 and three 1367e
270871	18379	" " 270870 with 52237

No.	Plate	Name
270010	18379	Rotating Hook Bobbin
52235	18379	" " " Case
52236	18379	" " " " 52235 with 591f, 1380e and 40394
40393	18379	" " " " Hinge, Nos. 2974, 40392 and 125320
270872	18379	" " " " Holder (chromium plated)
52048	18379	" " " " " Position Bracket
200077d	18379	" " " " " " " Screw
40392	18379	" " " " " Latch
125320	18379	" " " " " Lever
2974	18379	" " " " " Fulcrum Pin
2975	18379	" " " " " Spring
592e	18379	" " " " " Stop Screw
40394	18379	" " " " " Tension Spring
591f	18379	" " " " " " " Regulating Screw
1380e	18379	" " " " " " " Screw
52237	18379	" " " " " complete, Nos. 592e, 2975, 40393 and 52236
270873	18379	" " " " " 52237 with 270872
276044	18489	" " " " " Driving Shaft
270032	18489	" " " " " Ball Bearing
276045	18489	" " " " " Bushing with 276046
276046	18489	" " " " " " Oil Packing (wick)
200346c	18489	" " " " " " Set Screw
270169	18489	" " " " " Connection Belt Pulley with 214206 and two 200070c
200070c	18489	Rotating Hook Driving Shaft Connection Belt Pulley Set Screw
214206	18489	" " " " " " " " " Spring Flange
276047	18489	" " " " " " Gear (internal teeth) with 200382c and 201220c
201220c	18489	" " " " " " Position Screw
200382c	18489	" " " " " " Set Screw
270036	18489	" " " " " " Oil Lead Wire
270879		" " " " " Oil Guard
276177	18491	" " " " " Reservoir Cover
276178	18491	" " " " " " Gasket
200041x	18491	" " " " " " Screw (6)
270878		" " " " " Retaining Washer (felt)
143301	18379	" " " " " Wick (felt)
270876	18379	" " " " " Section
1367c	18379	" " " " " Screw
1253al	18379	" " " " " Set Screw
276059	18489	" " " " " Shaft
270163	18489	" " " " " Bushing
268258	18489	" " " " " Oil Packing (wick)
200346c	18489	" " " " " Set Screw

No.	Plate	Name
270164	18489	Rotating Hook Shaft End Bearing
201215d	18489	" " " " " " Screw
202423	18489	" " " " " Oil Filter Wick
276061	18489	" " " " " " " Holder
276062	18489	Rotating Hook Shaft Oil Filter, complete, Nos. 202423 and 276061
350498c	18489	Rotating Hook Shaft Oil Regulating Screw
270044	18489	" " " " " Thrust Washer
276060		Rotating Hook Shaft Bushing, complete, Nos. 268258, 270044, 270163, 270164, 276059, 276062, 350498c and two 201215d
270874xc	18379	Rotating Hook Thread Guard
1053c	18379	" " " " " " Screw
2102	18479	Tension Disc
276048	18478	" Releaser (adjustable)
200132c	18478	" " Screw
32572	18479	" Releasing Disc
270086	18479	" " Pin
13710	18479	" Spring
50304c	18479	" Stud
52098	18479	" " 50304c with 1560c
50305c	18479	" " Set Screw
276055	18479	" Thread Guide Pin
1560c	18479	" Thumb Nut
276049	18479	Tension, complete, Nos. 13710, 32572, 39652, 52083, 52098, 270086 and two 2102
276050	18479	Thread Cutter
200583h	18479	" " Screw
276051	18479	" Guide
263418	18478	" " (on Needle Bar Bushing)
350503ax	18479	" " Screw
276057	18478	" Pull-off
200145c	18478	" " Screw (2)
276052	18479	" Retainer (front)
200397h	18479	" " (") Set Screw
270080	18479	" " (rear)
200366h	18479	" " (") Set Screw
39652	18479	" Take-up Spring
52083	18479	" " " Regulator with 50305c
453xc	18479	" " " " Set Screw
52033	2626	Throat Plate (small needle hole) for 52031
691f	2626	" " Screw (2)

ACCESSORIES

No.	Plate	Name
25878	2627	Cloth Guide
50190	2627	" " Thumb Screw
228478	18311	Drip Pan with four $\frac{3}{4}$ " wire nails
12361	2627	Machine Hinge Connection (2)
41400	2627	" Rest Pin (wood)
88-1	-	Needles, six, size 16
120342	2627	Oiler (copper plated) with 120343
120343	2627	" Spout ($3\frac{1}{2}$ " long)
270010	18379	Rotating Hook Bobbin (2)
270155	18489	" " Oil Reservoir Oil Gauge
120378	2627	Screw Driver (Bobbin Case)
85318	2627	Screw Driver
	-	Tin of Oil ($\frac{1}{2}$ pint)
240566		Wrench

PRESSER FOOT (for General Work)

No.	Plate	Name
86659		Presser Foot Plate
86660		" " Shank
86661		Presser Foot (hinged), complete, Nos. 86659 and 86660

BOBBIN WINDER

(Swinging Automatic, Right Hand)
For "V" Belt Drive

No.	Plate	Name
259428	2624	Brake (leather)
259429	2624	" Clamp
200113f	2624	" " Screw
225453	2624	Frame with 202277 and 259660
225454	2624	" Hinge Pin
202277	2624	" Oil Packing (wick)
259660	2624	" " Well Washer
225455	2624	" Spring
225456	2624	" " Plunger
101211	2624	Pulley with 200380c
200380c	2624	" Set Screw
225381	2624	Spindle

ACCESSORIES

No.	Plate	Name
225444	2624	Stop Latch
200056e	2624	" " Screw
225458	2624	" " Thumb Lever
225459	2624	" " " " Hinge Stud
225459	2624	" " " " Joint Stud
202478	2624	" " Trip Lever
200299h	2624	" " " " Hinge Screw
225461	2624	Tension Bracket with 201499h
200082d	2624	" " Screw
228026	2624	" " " " Washer
2102	2624	" Disc
13710	2624	" Spring
201499h	2624	Tension Stud
201572h	2624	" " Thumb Nut
225462	2624	Bobbin Winder Tension Bracket complete, Nos. 13710, 201572h, 225461 and two 2102
259430	2624	Bobbin Winder and Tension Bracket Base
104212	2624	Bobbin Winder (swinging automatic, right hand), complete, Nos. 104211, 200056e, 200082d, 200113f, 200299h, 202478, 225381, 225444, 225453 to 225456, 225458, 225462, 228026, 259428 to 259430, two each 225459 and wood screws $\frac{3}{4}$ " No. 12 R.H.B.

KNEE LIFTER

No.	Plate	Name
228713	18311	Rock Lever with two 350231c
228707	18311	" " Bracket with 200347c and three wood screws $\frac{3}{4}$ " No. 12
228709	18311	" " " 228707 with 228363, 228365, 228386, 228455 and 228713
228370	18311	" " Extension with 200530c
350231c	18311	" " " Set Screw
228363	18311	" " Hinge Pin
228364	18311	" " Knee Plate with 350231c
228388	18311	" " " " Arm
350231c	18311	" " " " " Set Screw
350231c	18311	" " " " " Set Screw
228455	18311	" " Position Spring
228365	18311	" " Rod
200530c	18311	" " " Set Screw
228386	18311	" " Spring
228367	18311	" " Stop Stud
200347c	18311	" " " " Set Screw
228710	18311	Knee Lifter Rock Lever, complete, Nos. 228364, 228365, 228370, 228388 and 228709

(Other Knee Lifter parts are listed with parts of Machine Head)

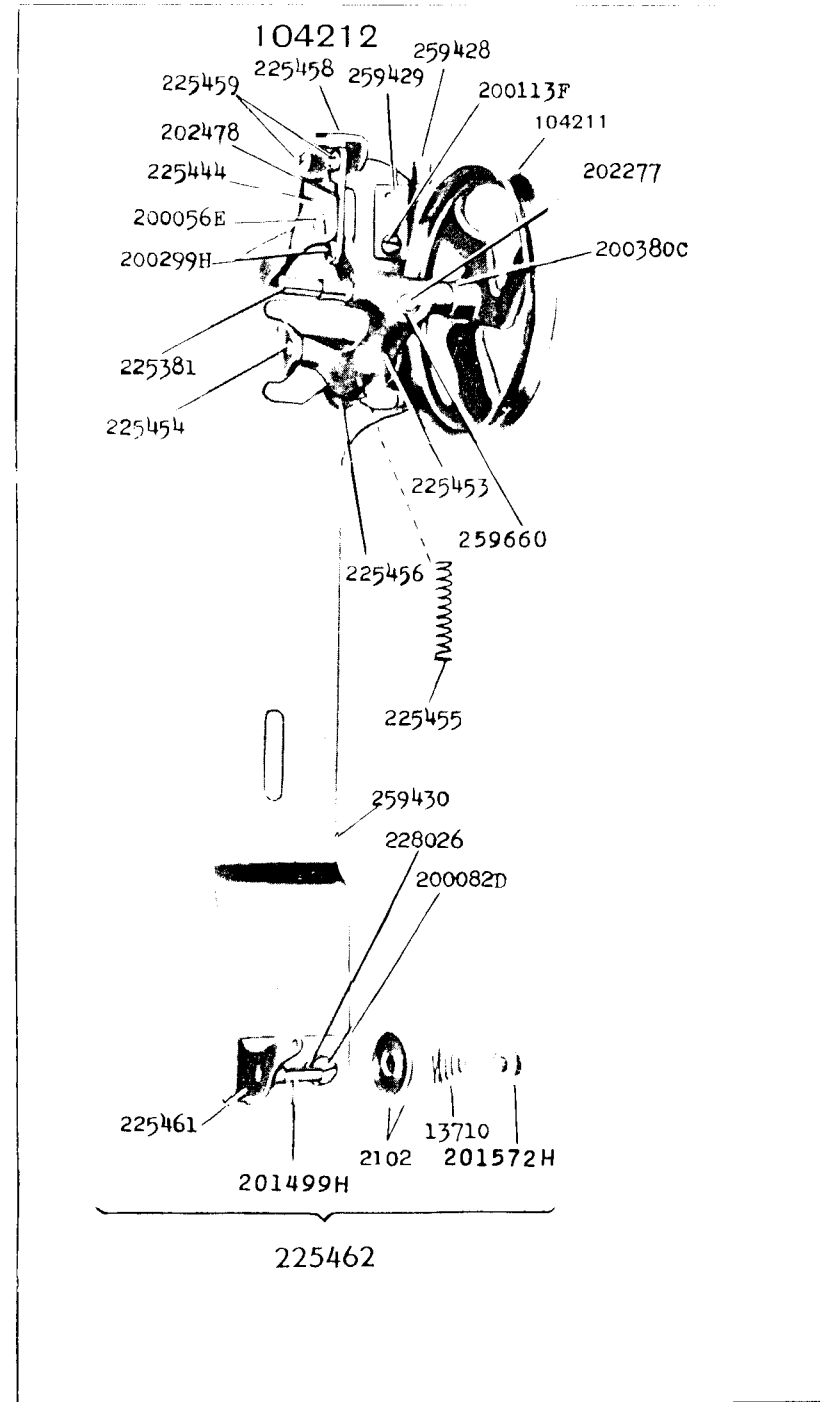
THREAD UNWINDER

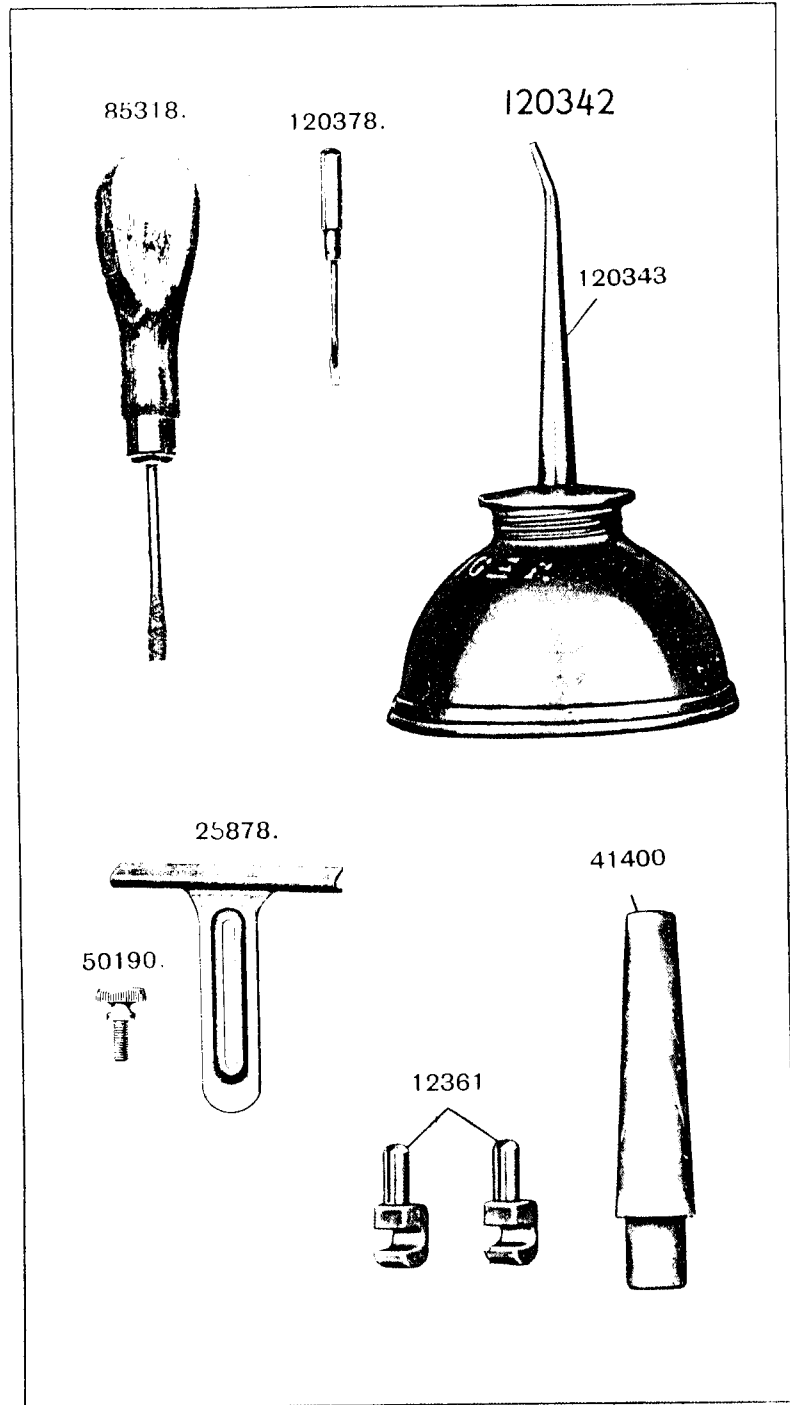
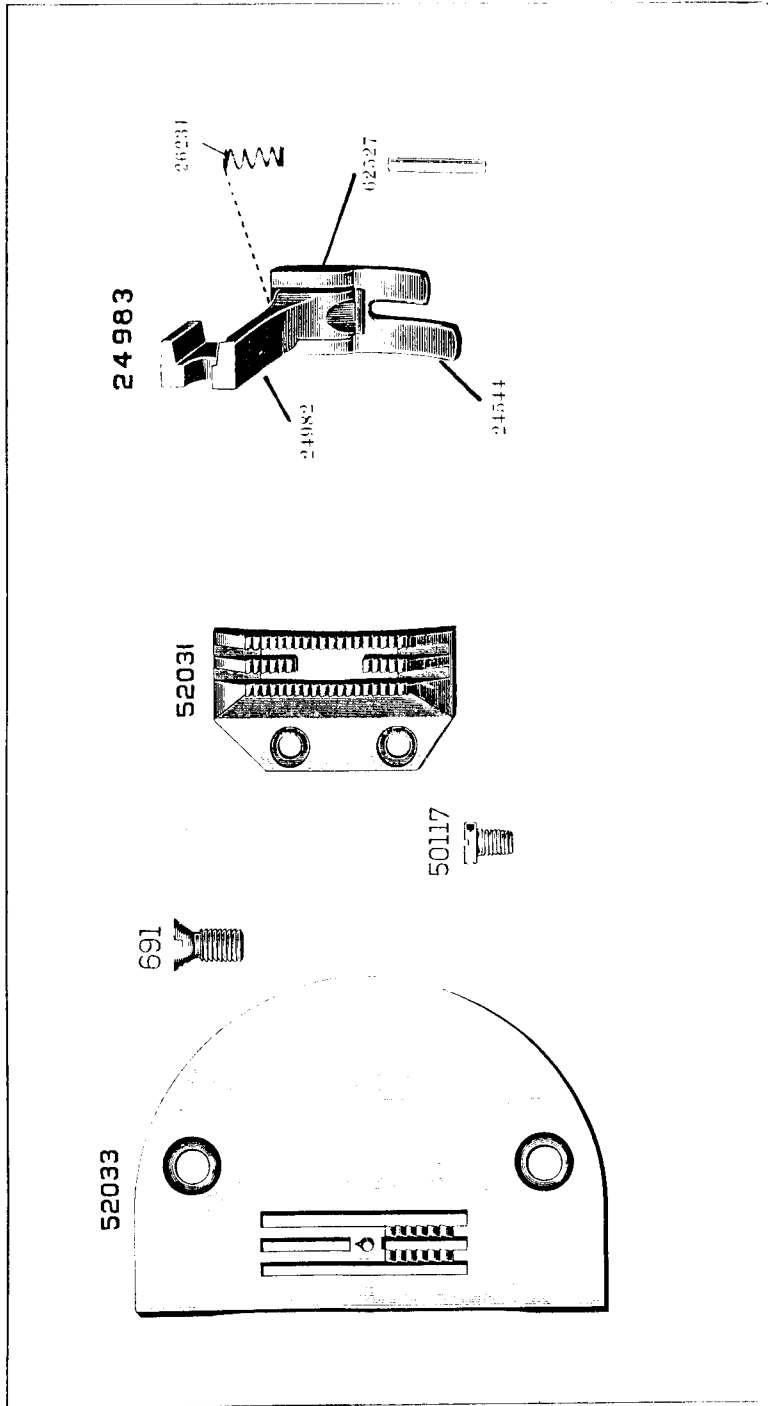
No.	Plate	Name
228692	18362	Spool Pin
201528h	18362	" " Nut
228693	18362	" " Washer
225257	18362	" Rest (for two spools) (flat) with 201018c, two each 201528h, 228692 and 228693
150203	18362	Spool Rest Cushion (felt)
225388	18362	" " Rod
200383c	18362	" " " Set Screw
201018c	18362	" " Set Screw
259658	18362	" Stand with 200383c
225391	18362	Thread Guide
201696h	18362	" " Lock Nut
225326	18362	" " Position Cup
225324	18362	" " Rod with 208al and 225322
208al	18362	" " " Screw
225322	18362	" " " Washer
225258	18362	Thread Unwinder (for two spools), complete, Nos. 201696h, 225257, 225324, 225326, 225388, 259658, two each 150203, 225391 and three wood screws $\frac{3}{8}$ " No. 12

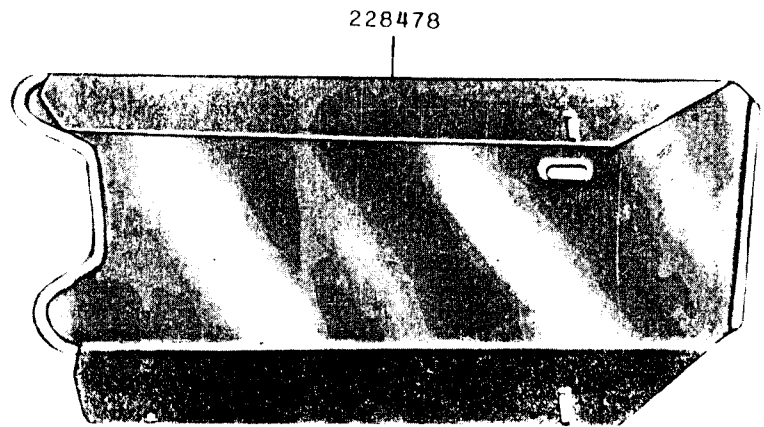
MISCELLANEOUS PARTS

Used in conjunction with Thread Unwinder

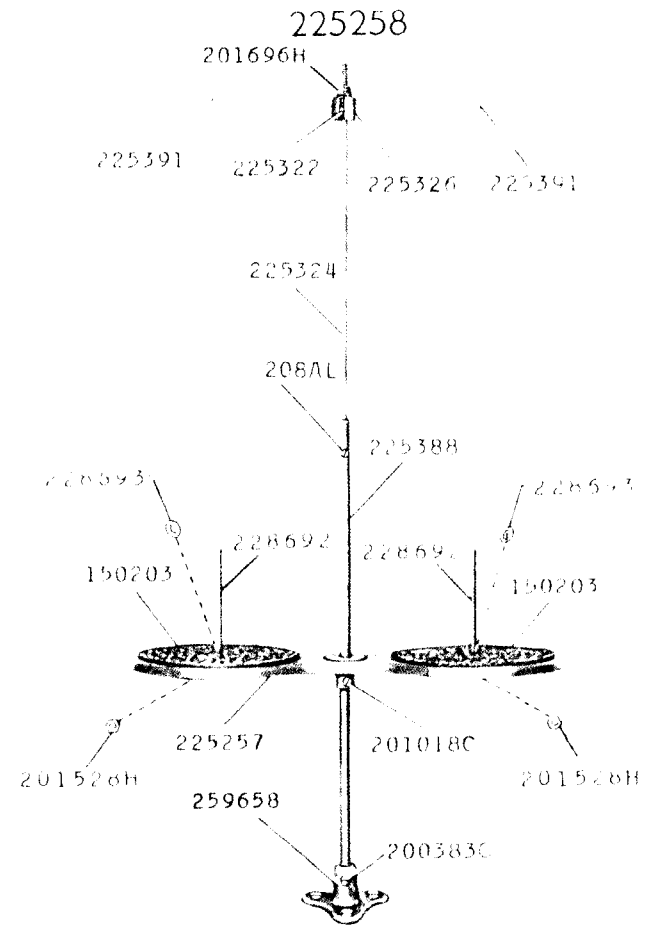
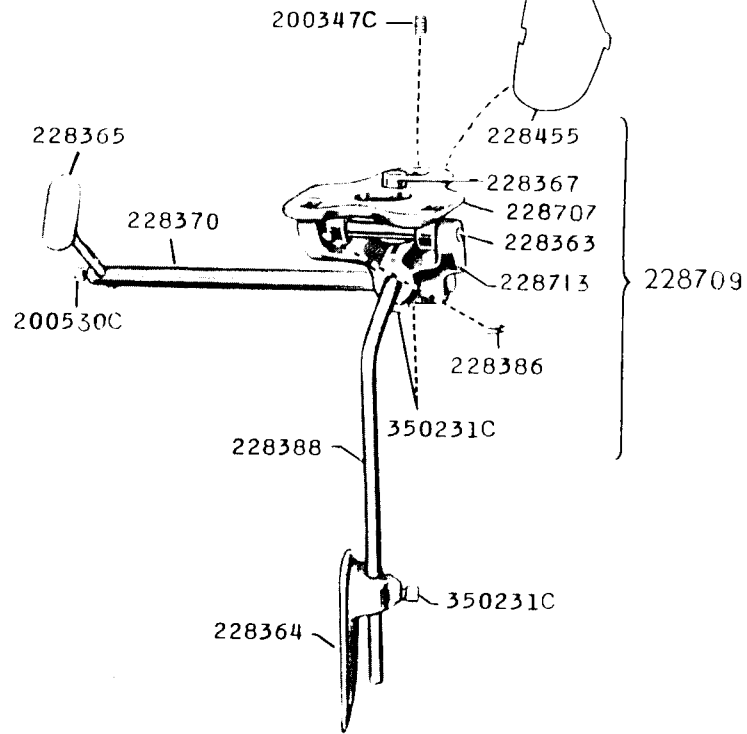
No.	Plate	Name
259370	18362	Spool Pin
259378	18362	" " Arm with 217e and 259379
232896	18362	" " " Bracket with two 448al
448al	18362	" " " " Set Screw
448al	18362	" " " Set Screw
259371	18362	" " Cap (bakelite)
1010f	18362	" " " Hinge Screw
259379	18362	" " Retaining Spring
217e	18362	" " " " Screw
259372	18362	" " Washer
259373	18362	Spool Pin, complete, Nos. 1010f and 259370 to 259372
60913	18362	Spool Weight with 60914
60914	18362	" " Centre Pin
225377	18362	" Wire, for small spools
27739	18362	Thread Cone (wood)
225390	18362	" " Holder







228710



259373

