

SINGER
212U443A,U843A

ILLUSTRATED

PARTSLIST

FOR

SINGER*

**UNDER BED THREAD
TRIMMER**

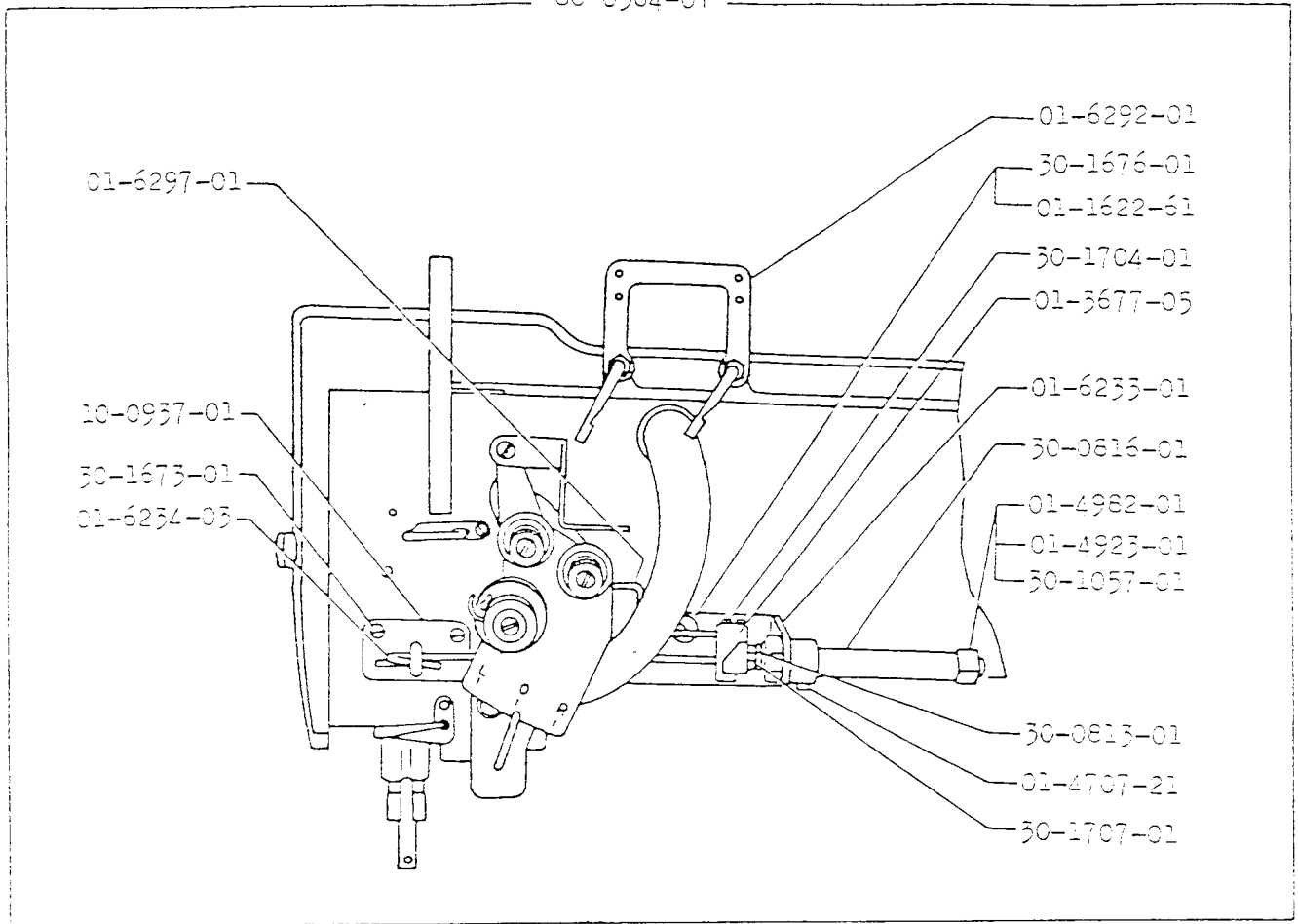
**FOR 212U443A
212U843A**

NOTE: Insert this parts list in place of page 1 and 2 of Parts List for 212U442A for complete Parts List of 212U443A and 212U843A Machine.

When ordering parts for the following pages add prefix "810" in front of each number.
For parts on machine refer to ILLUSTRATED PARTS LIST, form U3386 or U3458.

No.	212U42A 212U43A 212U81A 212U839A 212U843A	Description
01-1622-61	* * * * *	Spacer (2)
01-3677-05	- * - - *	Block--Tension Release Mounting
01-3687-01	- * - - *	Nut Plate--Switch Mounting
01-3849-04	- * - - *	Spacer--Switch Box (2)
01-4707-21	* * * * *	Hose Fitting
01-4923-01	* * * * *	Screw--Universal Elbow
01-4982-01	* * * * *	Elbow--Universal (2)
01-6233-01	- * - - *	Bracket--Air Cylinder Mount
01-6234-03	- * - - *	Puller--Thread
01-6292-01	* * * * *	Thread Guide
01-6294-01	- * - - *	Box--Switch
01-6295-01	- * - - *	Cover--Switch Box
01-6297-01	- * - - *	Pin--Tension Release
01-7400-01	- * - - *	Actuator--Switch
01-7401-01	- * - - *	Block--Actuator
10-0937-01	- * - - *	Bracket--Pull off
10-0939-01	- * - - *	Interlocking Switch Cable Assembly
30-0813-01	* * * * *	"O" Ring--Cylinder Shaft (External)
30-0816-01	* * * * *	Air Cylinder--Tension Release
30-1057-01	* * * * *	Gasket--Humphrey 89-14 (2)
30-1673-01	* * * * *	Screw--Pull off Bracket (2)
30-1676-01	* * * * *	Screw--Air Cylinder Bracket (2)
30-1701-01	* * * * *	Screw--Thread Puller (#5 - 40 X 1/4) (2)
30-1707-01	* * * * *	Nut--Hex. Air Cylinder Shaft
30-1812-01	- * - - *	Switch--Micro
30-1816-01	- * - - *	Screw--Switch Box Mounting (2)
30-1817-01	- * - - *	Screw--Switch Mounting 1/4 - 40 X 5/8) (2)
30-1818-01	- * - - *	Screw--Switch Box Cover (2)
30-1819-01	- * - - *	Screw--Actuator (5 - 40 X 1/8)
30-1819-01	- * - - *	Screw--Block (5 - 40 X 1/8)
30-0363-01	- * - - *	Interlocking Switch Assembly
30-0364-01	- * - - *	Tension Release and Pull off Assembly

80-0364-01



80-0363-01

