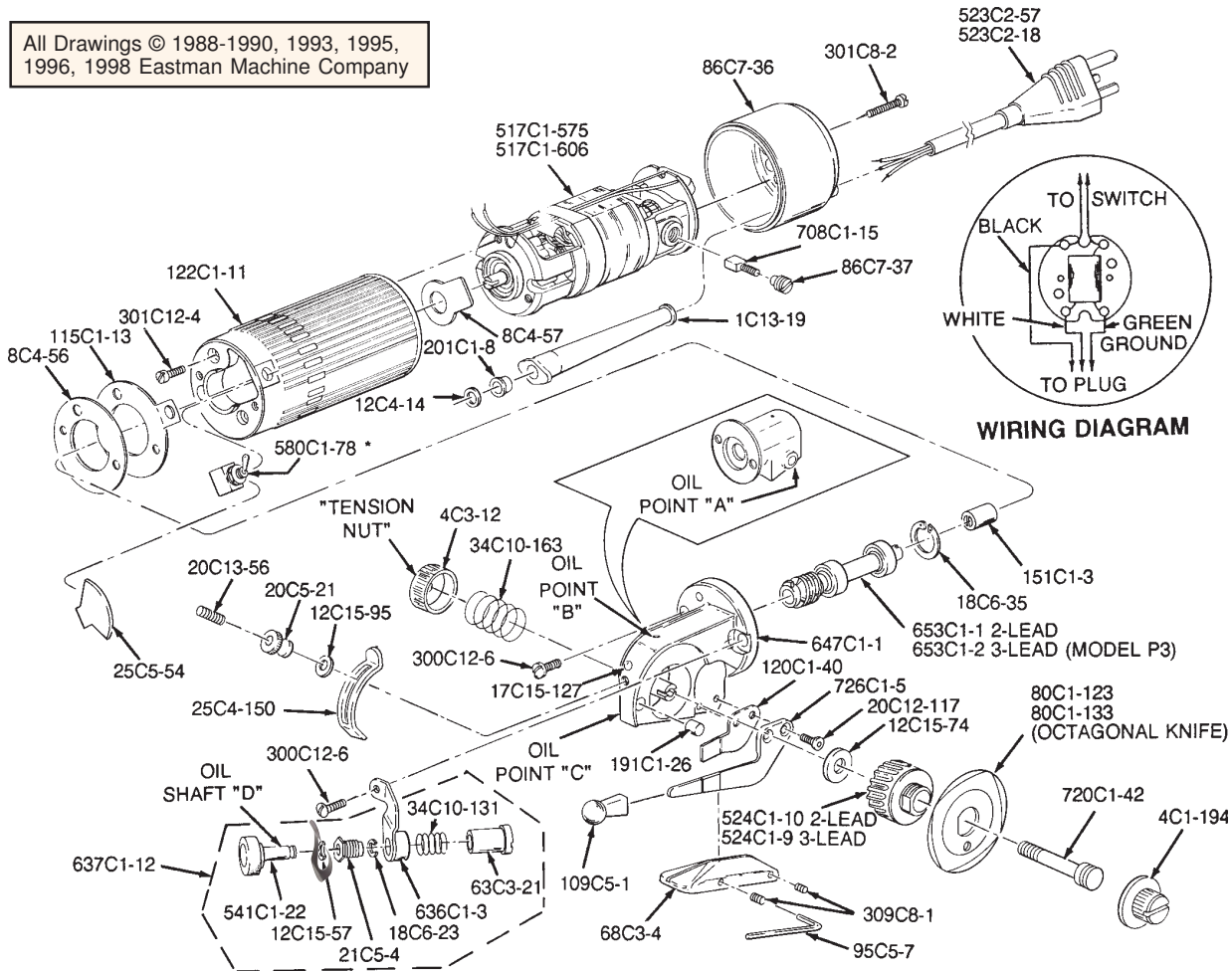


# "Genuine" Parts For Eastman Chickadee®

## Model Chickadee

Cutting Machines

All Drawings © 1988-1990, 1993, 1995, 1996, 1998 Eastman Machine Company



Univ. Number	Eastman Number	Description
	1C13-19	Line Cord Sleeve
GE2004	4C1-194	Knife Lock Nut
GE2005	4C3-12	Adjusting Nut
	8C4-56	Switch Insulation
	8C4-57	Switch Insulation
	12C4-14	Insulating Washer
GE1663	12C15-57	Spring Washer
GE1739	12C15-74	Spacing Washer
GE2006	12C15-95	Washer For Knife Guard
	17C15-127	Pin
GE1785	18C6-23	Retaining Ring
	18C6-35	Retaining Ring
GE2008	20C5-21	Clamp Screw
GE1416	20C12-117	Flat Head Screw (6-32 x 3/8") (2)
GE2009	20C13-56	Socket Set Screw (6-32 x 3/4")
GE1790	21C5-4	Sharpener Bushing
GE2010	25C4-150	Knife Guard
	25C5-54	Guard For Switch
GE1792	34C10-131	Sharpener Spring
GE2011	34C10-163	Knife Spring
GE1795	63C3-21	Sharpener Button
GE2012	68C3-4	Shear Plate Foot
GE1291	80C1-123	Knife
GE1326	80C1-133	Octagonal Knife
	86C7-36	Motor Cap
	86C7-37	Brush Cap
	95C5-7	Allen Key
GE1841	109C5-1	Ball Tip

Univ. Number	Eastman Number	Description
	115C1-13	Disc Switch, Grounding
GE1905	120C1-40	Knife Plow
	122C1-11	Motor Housing
GE1664	151C1-3	Motor Coupling
GE2013	191C1-26	Oil Felt
GE2015	201C1-8	Line Cord Eyelet
	300C12-6	Round Head Screw (8-32 x 1/2") (2)
	301C8-2	Fil. Head Screw (4-40 x 7/8") (2)
	301C12-4	Fil. Head Screw (8-32 x 1/2") (3)
GE2016	309C8-1	Socket Set Screw (4-40 x 1/4") (2)
	517C1-575	Motor, Complete (110 Volt)
	517C1-606	Motor, Complete (220 Volt)
	523C2-18	Motor Line Cord
	523C2-57	Line Cord w/Plug
	524C1-9	3-Lead Knife Gear
	524C1-10	Knife Gear
GE1201	541C1-22	Sharpening Stone
	580C1-35	Switch For Long Handle Chickadee
	580C1-78	Switch, Complete
	636C1-3	Sharpener Bracket
GE2017	637C1-12	Sharpening Stone
	647C8-1	Standard Housing
	653C1-1	Worm, Complete
	653C1-2	3-Lead Worm, Complete
GE1675	708C1-15	Brush w/Spring
GE2018	720C1-42	Knife Rod, Complete
GE1913	726C1-5	Shear Plate

Universal Sewing Supply